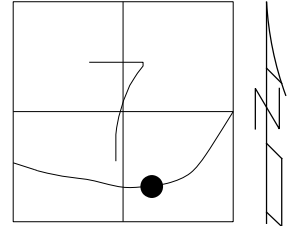


O.D.O.T. DISTRICT 2 SURVEY OFFICE (USE ONLY)

PERSONNEL _____ REFERENCE NO. 16 H SHEET 24 OF 61
 NOTES NIESE DATE 3/25/24 ROUTE SR 110
 H.C. MILLER WEATHER CLOUDY COUNTY HENRY
 R.C. RHOADES TEMP. 50° TOWNSHIP DAMASCUS
 DWG BY RHOADES PID 114846 SECTION 7
 T 5 N R 8 E

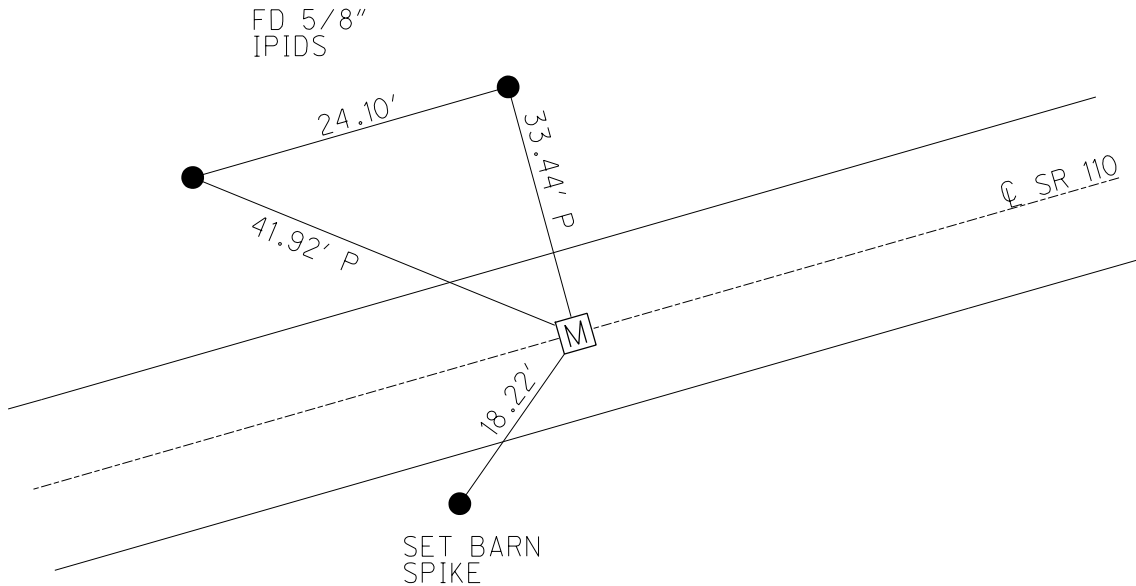
TYPE MONUMENT MONBOX W/1" IPIN
 ON SURFACE - ~~BELOW~~ ON
 OFFSET ☐ PAVEMENT ON LT : RT
10.9' TO LT EDGE PAVEMENT
 STATION: 415+55.75



HORIZ. DATUM: NAD83 2011 GEOID: NAVD88 2018
 GRID: NORTHING: 635717.413 EASTING: 1560366.128

RECORD: C.S.
 FD MONBOX
 MONREFH16
 9/01/15, JFO
 FD MONBOX
 W/1" IPIN
 REFH16
 12/22/21, DSA
 CKREFH16
 3/25/24, JAM

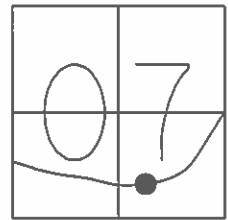
HEN LPD
 N: 492617.225
 E: 194830.132



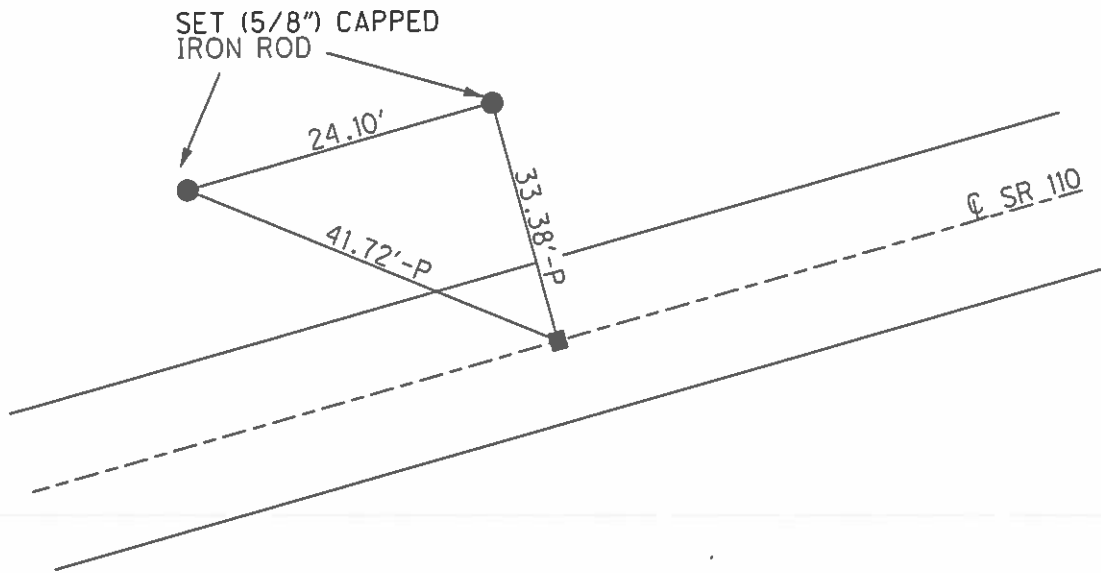
O.D.O.T. DISTRICT 2 SURVEY OFFICE (USE ONLY)

PERSONNEL	REFERENCE NO.	<u>16H</u>	SHEET	<u>25</u>	OF	<u>58</u>
NOTES	<u>BARNHISEL</u>	DATE	<u>09/16/04</u>	ROUTE	<u>SR 110</u>	
H.C.	<u>CANTERBURY</u>	WEATHER	<u>CLOUDY</u>	COUNTY	<u>HENRY</u>	
R.C.	<u>BARNHISEL</u>	TEMP.	<u>65°</u>	TOWNSHIP	<u>DAMASCUS</u>	
				SECTION	<u>07</u>	
				T <u>5</u> N	R <u>8</u> E	

TYPE MONUMENT MON. BOX W/IRON PIN
 ON SURFACE - ~~BELOW~~ ON
~~LEFT~~ - Q PAV'T - ~~RIGHT~~ ON
10.9' TO LT EDGE PAVEMENT
 S.L.M. 423+76
 Grid: Northing: 635717.469 Easting: 1560366.102



RECORD: CS. PLAN
 STA: 422+56.28
 NOTE: THIS MON. BOX SET
 DURING NEW CONST. IN 1988
 GPS, MONREFH16
 09/01/15, JFO
 FD MON BOX COVERED
 08/03/16, JFO



O.D.O.T. DISTRICT 2 SURVEY OFFICE

PERSONNEL

REFERENCE NO. ¹⁹⁸⁸ 164

SHEET 10 OF 37

NOTES BARNHISEL

DATE 09/16/04

ROUTE S.R. 110

H.C. CANTERBURY

WEATHER CLOUDY

COUNTY HENRY

R.C. BARNHISEL

TEMP. +65°

TOWNSHIP DAMASCUS

SECTION 07

T 5 N R 8 E

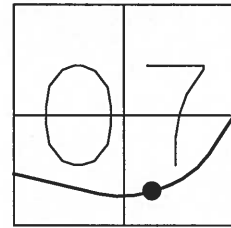
TYPE MONUMENT MON BOX W/IRON PIN

ON SURFACE - ~~BELOW~~ YES

~~LEFT - Q PAV'T - RIGHT~~ YES

10.9' TO LT EDGE PAVEMENT

S.L.M. 423+76



RECORD: CS.
PLAN STA: 422+56.28

