

O.D.O.T. DISTRICT 2 SURVEY OFFICE (USE ONLY)

PERSONNEL

REFERENCE NO. 16 I

SHEET 25 OF 61

NOTES NIESE

DATE 3/25/24

ROUTE SR 110

H.C. MILLER

WEATHER CLOUDY

COUNTY HENRY

R.C. RHOADES

TEMP. 55°

TOWNSHIP DAMASCUS

SECTION 7

DWG BY RHOADES

PID 114846

T 5 N R 8 E

TYPE MONUMENT MONBOX W/1" IPIN

ON SURFACE - ~~BELOW~~ ON

OFFSET  $\odot$  PAVEMENT ON LT : RT

10.8' TO LT EDGE PAVEMENT

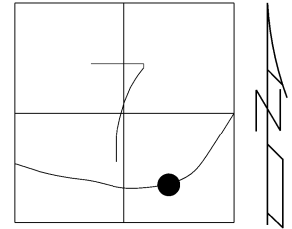
STATION: 418+55.75

HORZ. DATUM: NAD83 2011

GEOID: NAVD88 2018

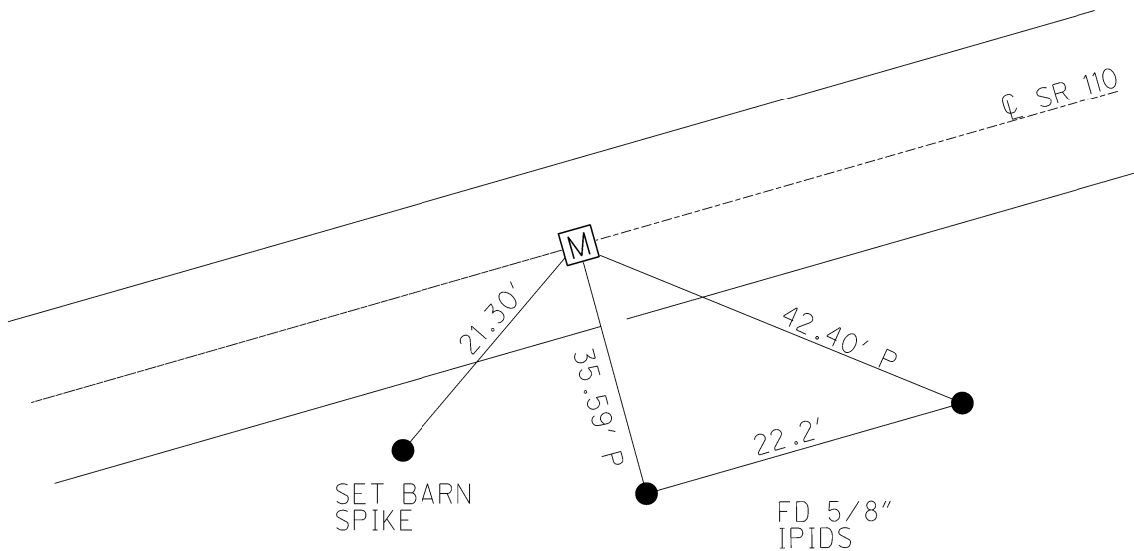
GRID: NORTHING: 635860.819

EASTING: 1560629.373



RECORD: S.T.  
FD MONBOX  
MONREFI16  
9/01/15, JFO  
FD MONBOX  
W/1" IPIN  
REFI16  
12/22/21, DSA  
CKREFI16  
3/25/24, JAM

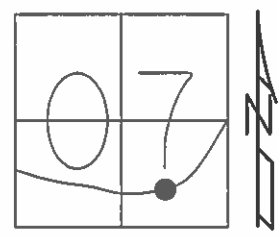
HEN LPD  
N: 492765.449  
E: 195090.719



O.D.O.T. DISTRICT 2 SURVEY OFFICE (USE ONLY)

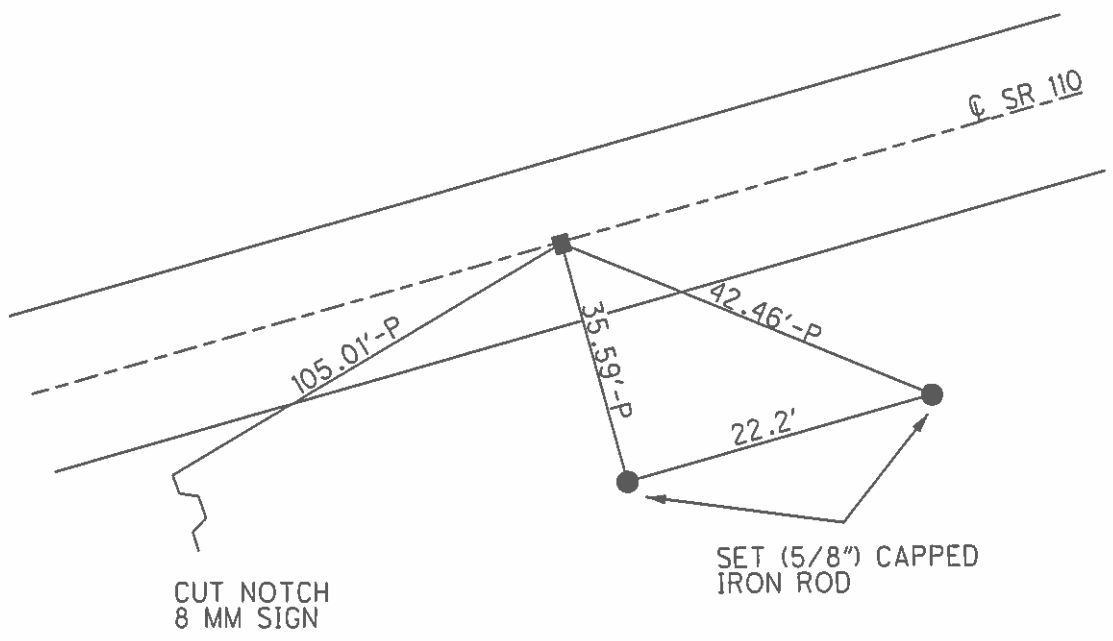
PERSONNEL \_\_\_\_\_ REFERENCE NO. 161 SHEET 26 OF 58  
 NOTES BARNHISEL DATE 09/16/04 ROUTE SR 110  
 H.C. CANTERBURY WEATHER CLOUDY COUNTY HENRY  
 R.C. BARNHISEL TEMP. 65° TOWNSHIP DAMASCUS  
 \_\_\_\_\_ SECTION 07  
 \_\_\_\_\_ T 5 N R 8 E

TYPE MONUMENT MON. BOX W/IRON PIN  
 ON SURFACE - ~~BELOW~~ ON  
~~LEFT - C~~ PAV'T - ~~RIGHT~~ ON  
10.8' TO LT EDGE PAVEMENT  
 S.L.M. 426+76



Grid: Northing: 635860.761 Easting: 1560629.400

RECORD: ST.  
 PLAN STA: 425+56.28 BK  
 PLAN STA: 425+57.66 AH  
 NOTE: THIS MON. BOX SET  
 DURING NEW CONST. IN 1988  
 GPS, MONREF116  
 09/01/15, JFO  
 FD MON BOX COVERED  
 08/03/16, JFO



O.D.O.T. DISTRICT 2 SURVEY OFFICE

PERSONNEL

REFERENCE NO. 161<sup>1988</sup>

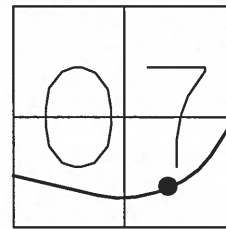
SHEET 11 OF 37

NOTES BARNHISEL  
 H.C. CANTERBURY  
 R.C. BARNHISEL

DATE 09/16/04  
 WEATHER CLOUDY  
 TEMP. +65°

ROUTE S.R. 110  
 COUNTY HENRY  
 TOWNSHIP DAMASCUS  
 SECTION 07  
T 5 N R 8 E

TYPE MONUMENT MON BOX W/IRON PIN  
 ON SURFACE - ~~BELOW~~ YES  
~~LEFT - Q PAV'T - RIGHT~~ YES  
10.8' TO LT EDGE PAVEMENT  
 S.L.M. 426+76



RECORD: ST.  
 PLAN STA: 425+56.28 BK  
 PLAN STA: 425+57.66 AH

NOTE: THIS MON. BOX SET DURING  
 NEW CONST. IN 1988.

