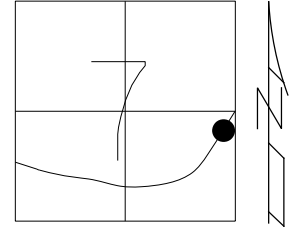


O.D.O.T. DISTRICT 2 SURVEY OFFICE (USE ONLY)

PERSONNEL \_\_\_\_\_ REFERENCE NO. 17 E SHEET 30 OF 61  
 NOTES NIESE DATE 3/25/24 ROUTE SR 110  
 H.C. MILLER WEATHER CLEAR COUNTY HENRY  
 R.C. RHOADES TEMP. 60° TOWNSHIP DAMASCUS  
 DWG BY RHOADES PID 114846 SECTION 7  
 T 5 N R 8 E

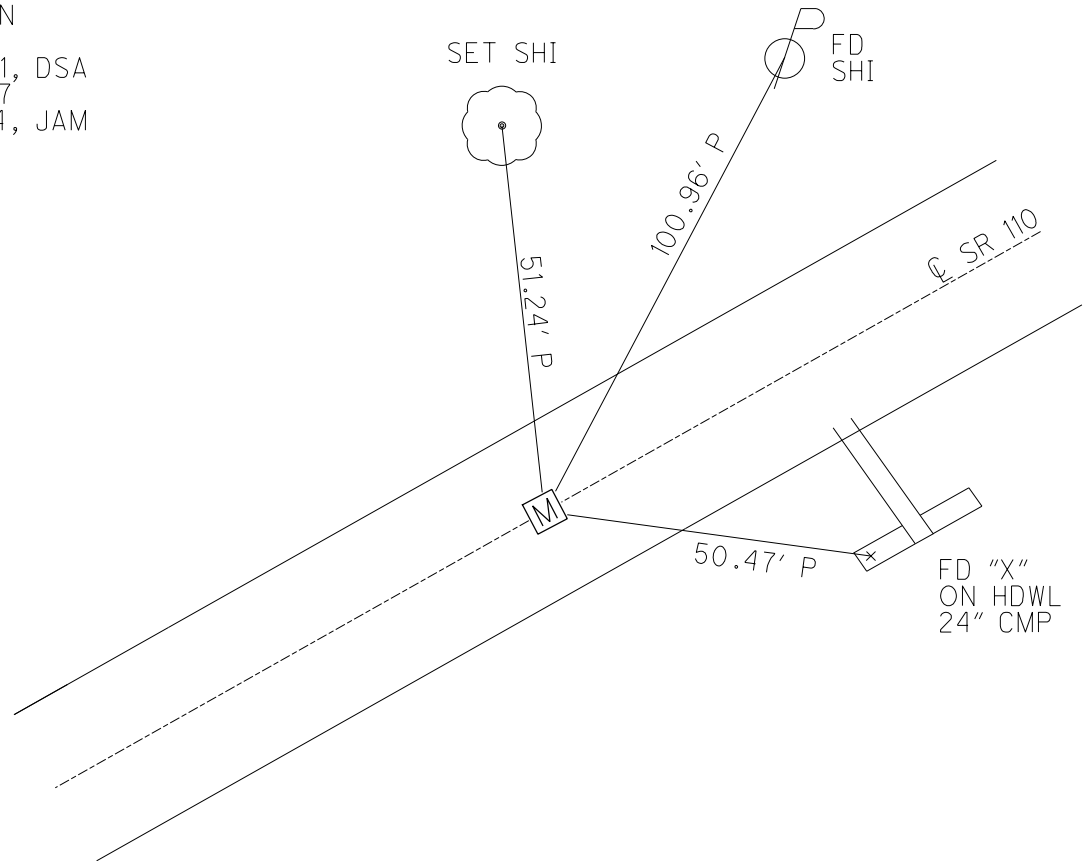
TYPE MONUMENT MONBOX W/1" IPIN  
 ON SURFACE - ~~BELOW~~ ON  
 OFFSET Q PAVEMENT ON LT : RT  
10.9' TO RT EDGE PAVEMENT  
 STATION: 437+40.01



HORIZ. DATUM: NAD83 2011 GEOID: NAVD88 2018  
 GRID: NORTHING: 637004.365 EASTING: 1562088.208

RECORD: S.T.  
 FD MONBOX  
 MONREFE17  
 9/01/15, JFO  
 FD MONBOX  
 W/1" IPIN  
 REFE17  
 12/22/21, DSA  
 CKREFE17  
 3/25/24, JAM

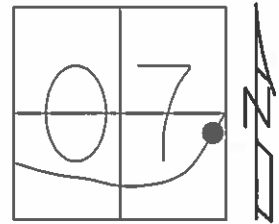
HEN LPD  
 N: 493935.661  
 E: 196528.424



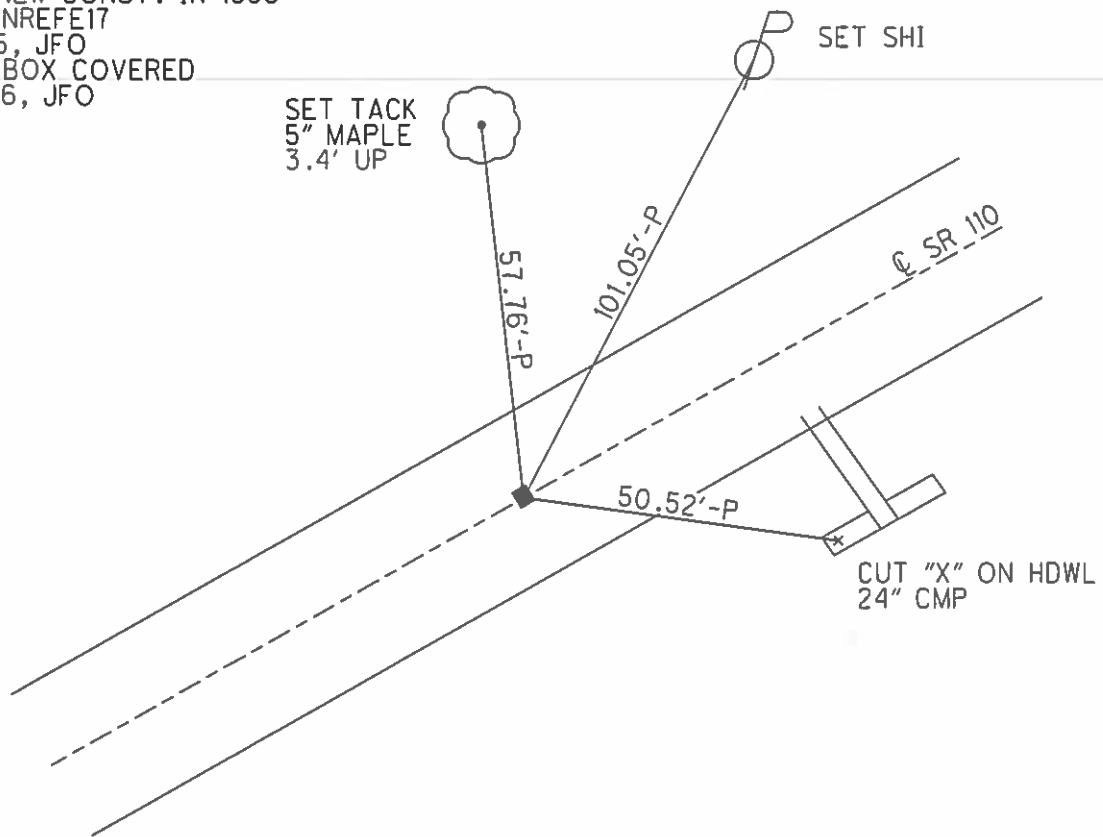
**O.D.O.T. DISTRICT 2 SURVEY OFFICE (USE ONLY)**

PERSONNEL	REFERENCE NO.	<u>17E</u>	SHEET	<u>31</u>	OF	<u>58</u>
NOTES	<u>BARNHISEL</u>	DATE	<u>09/20/04</u>	ROUTE	<u>SR 110</u>	
H.C.	<u>CANTERBURY</u>	WEATHER	<u>CLEAR</u>	COUNTY	<u>HENRY</u>	
R.C.	<u>BARNHISEL</u>	TEMP.	<u>60°</u>	TOWNSHIP	<u>DAMASCUS</u>	
				SECTION	<u>07</u>	
				T	<u>5</u>	R
					<u>N</u>	<u>8</u>
					<u>E</u>	

TYPE MONUMENT MON. BOX W/IRON PIN  
 ON SURFACE - ~~BELOW~~ ON  
~~LEFT~~ - Q PAV'T - ~~RIGHT~~ ON  
10.9' TO RT EDGE PAVEMENT  
 S.L.M. 445+61  
 Grid: Northing: 637004.305 Easting: 1562088.196



RECORD: ST.  
 PLAN STA: 444+42.91 BK  
 PLAN STA: 444+45.47 AH  
 NOTE: THIS MON. BOX SET  
 DURING NEW CONST. IN 1988  
 GPS, MONREFE17  
 09/01/15, JFO  
 FD MON BOX COVERED  
 08/03/16, JFO



O.D.O.T. DISTRICT 2 SURVEY OFFICE

PERSONNEL \_\_\_\_\_

REFERENCE NO. <sup>1988</sup> 17E

SHEET 16 OF 37

NOTES BARNHISEL

DATE 09/20/04

ROUTE S.R. 110

H.C. CANTERBURY

WEATHER CLEAR

COUNTY HENRY

R.C. BARNHISEL

TEMP. +60°

TOWNSHIP DAMASCUS

SECTION 07

T 5 N R 8 E

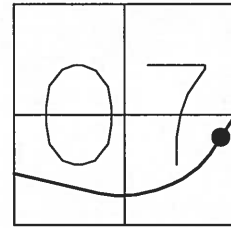
TYPE MONUMENT MON BOX W/IRON PIN

ON SURFACE - ~~BELOW~~ YES

~~LEFT - C~~ PAV'T - ~~RIGHT~~ YES

10.9' TO RT EDGE PAVEMENT

S.L.M. 445+61



RECORD: ST.  
 PLAN STA: 444+42.91 BK  
 PLAN STA: 444+45.47 AH

