

O.D.O.T. DISTRICT 2 SURVEY OFFICE (USE ONLY)

PERSONNEL

REFERENCE NO. 17 G

SHEET 32 OF 61

NOTES NIESE

DATE 3/25/24

ROUTE SR 110

H.C. MILLER

WEATHER CLEAR

COUNTY HENRY

R.C. RHOADES

TEMP. 60°

TOWNSHIP DAMASCUS

SECTION 7

DWG BY RHOADES

PID 114846

T 5 N R 8 E

TYPE MONUMENT MONBOX W/1" IPIN

ON SURFACE - ~~BELOW~~ ON

OFFSET \odot PAVEMENT ON LT : RT

10.6' TO LT EDGE PAVEMENT

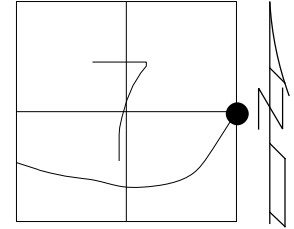
STATION: 443+04.99

HORIZ.DATUM: NAD83 2011

GEOID: NAVD88 2018

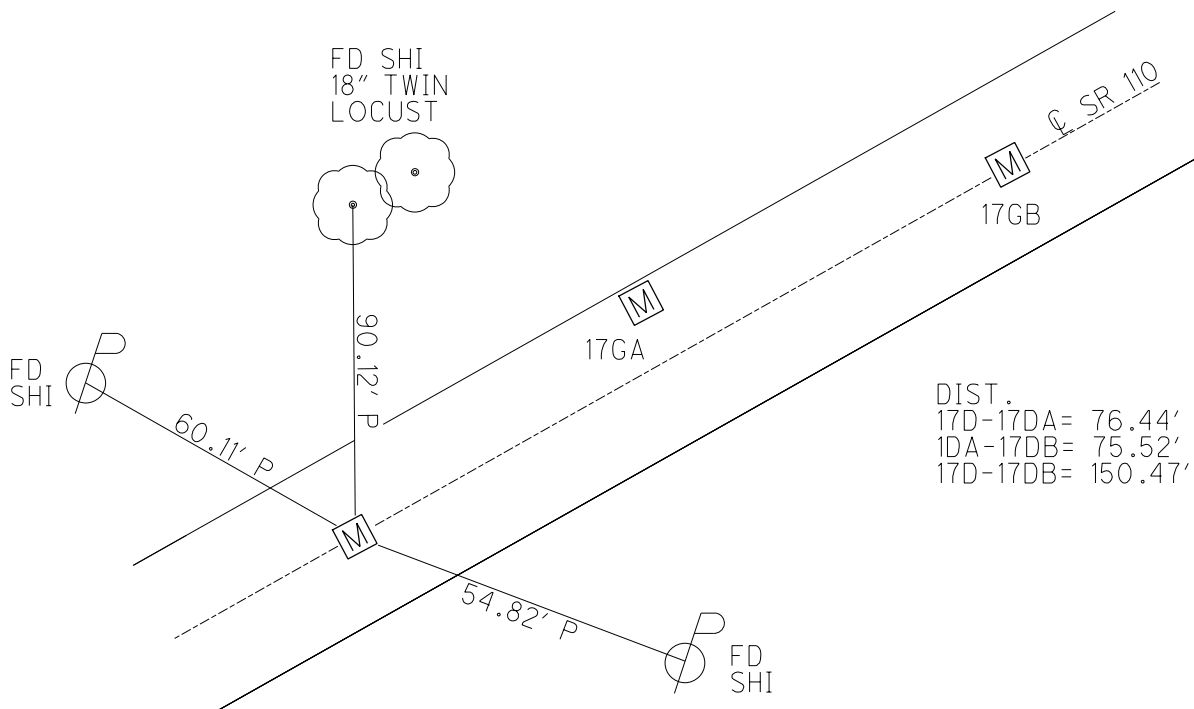
GRID: NORTHING: 637490.023

EASTING: 1562376.684



RECORD: S.C.
 FD MONBOX
 MONREFG17
 9/01/15, JFO
 FD MONBOX
 W/1" IPIN
 REFG17
 12/22/21, DSA
 CKREFG17
 3/25/24, JAM

HEN LPD
 N: 494426.567
 E: 196807.957

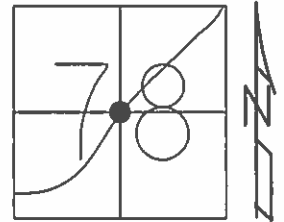


DIST.
 17D-17DA= 76.44'
 1DA-17DB= 75.52'
 17D-17DB= 150.47'

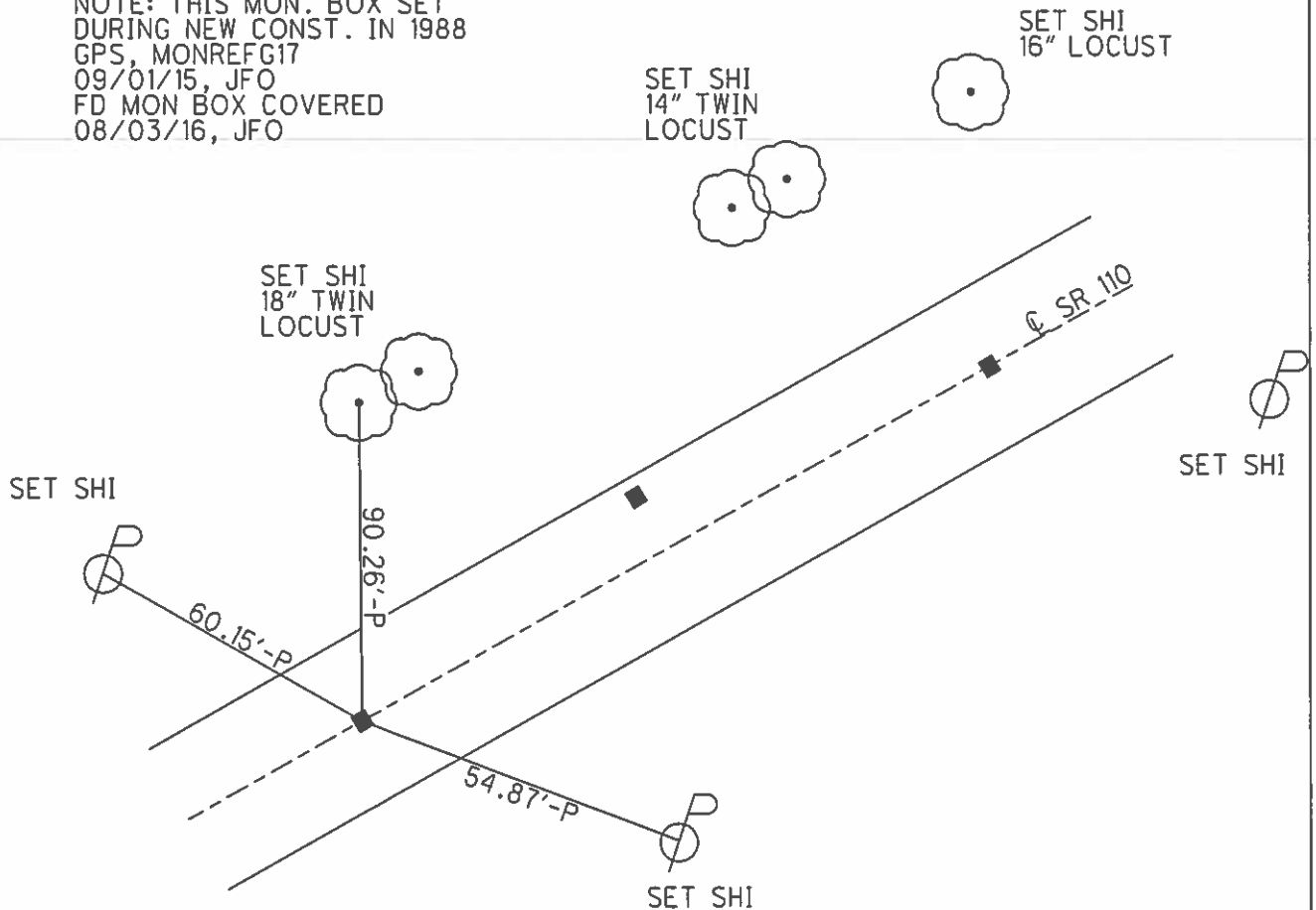
O.D.O.T. DISTRICT 2 SURVEY OFFICE (USE ONLY)

PERSONNEL _____ REFERENCE NO. 17G SHEET 33 OF 58
 NOTES BARNHESEL DATE 09/20/04 ROUTE SR 110
 H.C. CANTERBURY WEATHER CLEAR COUNTY HENRY
 R.C. BARNHESEL TEMP. 65° TOWNSHIP DAMASCUS
 _____ SECTION 07
 _____ T 5 N R 8 E

TYPE MONUMENT MON. BOX W/IRON PIN
 ON SURFACE - ~~BELOW~~ _____ ON _____
~~LEFT~~ - Q PAV'T - ~~RIGHT~~ _____ ON _____
10.6' TO LT EDGE PAVEMENT
 S.L.M. 451+27
 Grid: Northing: 637489.864 Easting: 1562376.756



RECORD: SC/SEC 07
 PLAN STA: 450+10.69
 NOTE: THIS MON. BOX SET
 DURING NEW CONST. IN 1988
 GPS, MONREFG17
 09/01/15, JFO
 FD MON BOX COVERED
 08/03/16, JFO



O.D.O.T. DISTRICT 2 SURVEY OFFICE

PERSONNEL

REFERENCE NO. ¹⁹⁸⁸ 176

SHEET 18 OF 37

NOTES BARNHISEL
 H.C. CANTERBURY
 R.C. BARNHISEL

DATE 09/20/04
 WEATHER CLEAR
 TEMP. +65°

ROUTE S.R. 110
 COUNTY HENRY
 TOWNSHIP DAMASCUS
 SECTION 07/08
T 5 N R 8 E

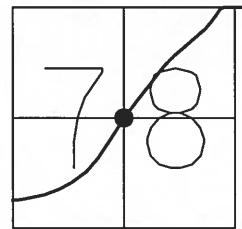
TYPE MONUMENT MON BOX W/IRON PINS
 ON SURFACE - ~~BELOW~~ YES

LEFT - Q PAV'T - ~~RIGHT~~ YES/9.5'LT/YES

TO LT EDGE PAVEMENT

S.L.M. 451+27 452+03 452+78

A=10.6
 B=1.4
 C=10.5



"A"
 RECORD: SC/SEC. 07
 PLAN STA: 450+10.69

"B"
 RECORD: PI/SEC 07
 PLAN STA: 450+87.05

"C"
 RECORD: CS/SEC 08
 PLAN STA: 451+62.27

