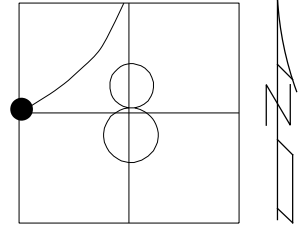


O.D.O.T. DISTRICT 2 SURVEY OFFICE (USE ONLY)

PERSONNEL _____ REFERENCE NO. 17 GB SHEET 34 OF 61
 NOTES NIESE DATE 3/25/24 ROUTE SR 110
 H.C. MILLER WEATHER CLEAR COUNTY HENRY
 R.C. RHOADES TEMP. 60° TOWNSHIP DAMASCUS
 SECTION 8
 DWG BY RHOADES PID 114846 T 5 N R 8 E

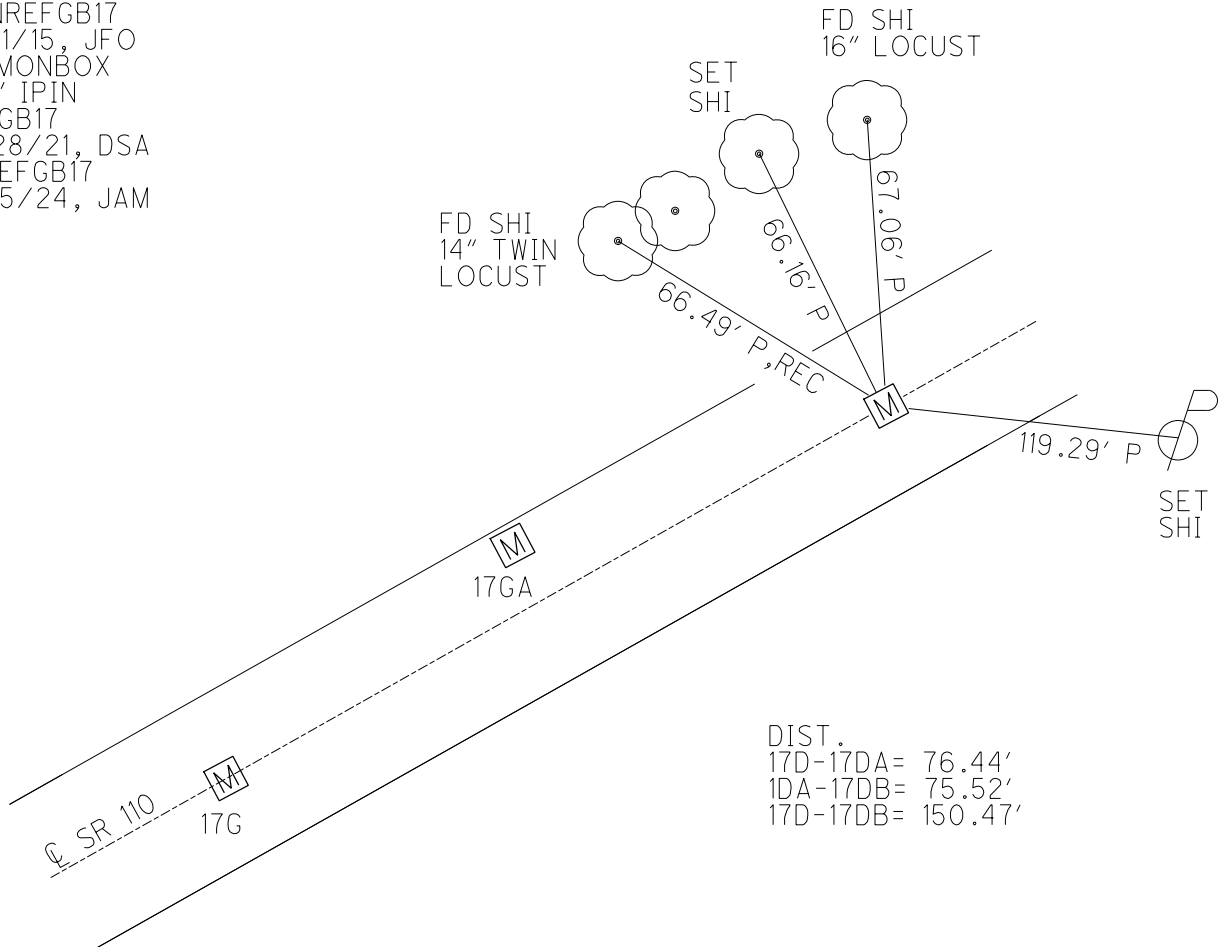
TYPE MONUMENT MONBOX W/1" IPIN
 ON SURFACE - ~~BELOW~~ ON
 OFFSET ☉ PAVEMENT ON LT : RT
10.5' TO LT EDGE PAVEMENT
 STATION: 444+57.26



HORZ.DATUM: NAD83 2011 GEOID: NAVD88 2018
 GRID: NORTHING: 637612.365 EASTING: 1562464.277

RECORD: C.S.
 FD MONBOX
 MONREFGB17
 9/01/15, JFO
 FD MONBOX
 W/1" IPIN
 REFG17
 12/28/21, DSA
 CKREFGB17
 3/25/24, JAM

HEN LPD
 N: 494550.505
 E: 196893.296

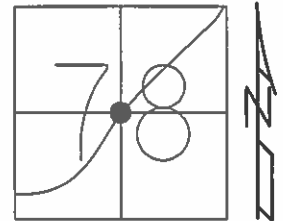


DIST.
 17D-17DA= 76.44'
 1DA-17DB= 75.52'
 17D-17DB= 150.47'

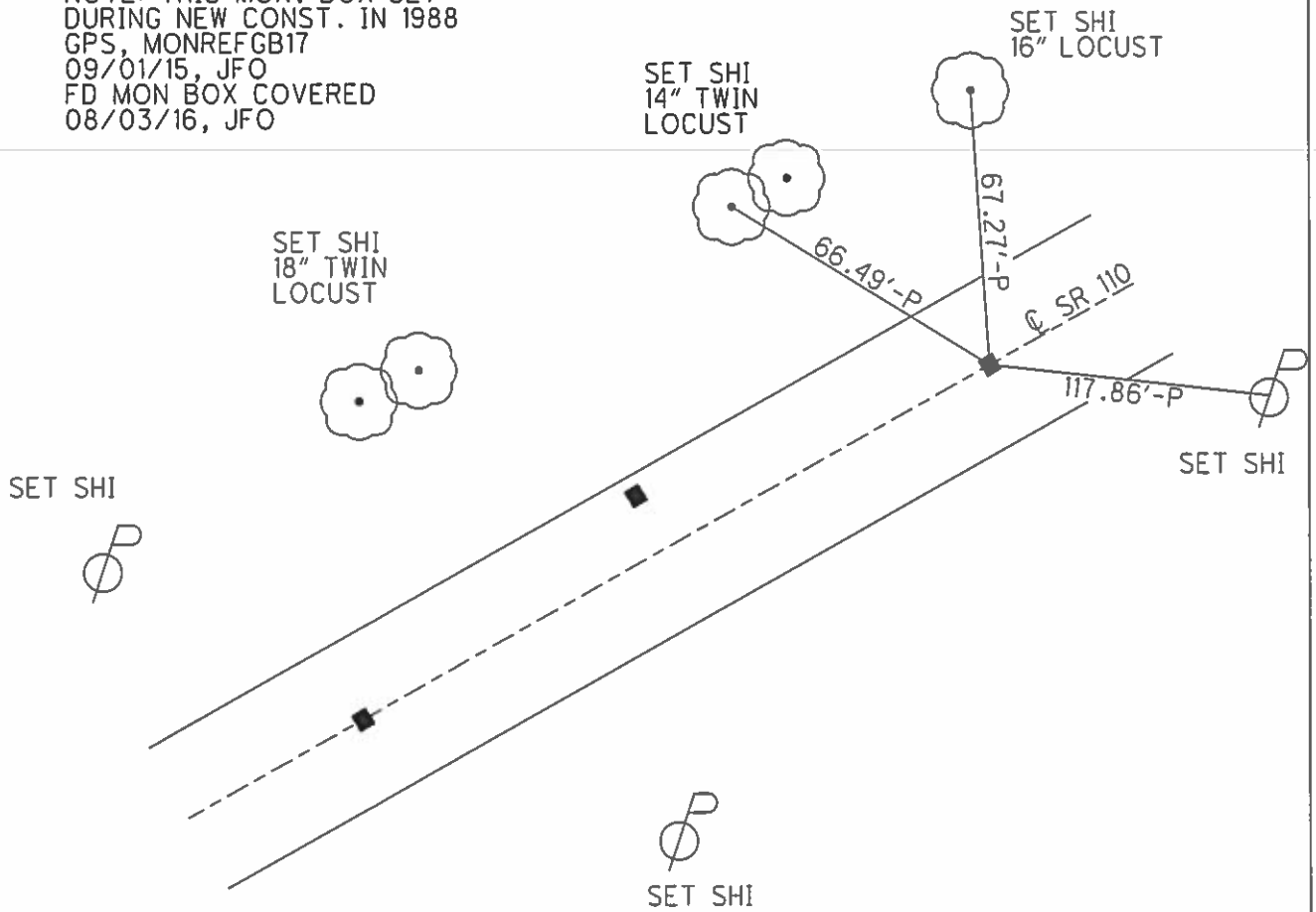
O.D.O.T. DISTRICT 2 SURVEY OFFICE (USE ONLY)

PERSONNEL	REFERENCE NO.	17GB	SHEET	35	OF	58
NOTES	BARNHISEL	DATE	09/20/04	ROUTE	SR 110	
H.C.	CANTERBURY	WEATHER	CLEAR	COUNTY	HENRY	
R.C.	BARNHISEL	TEMP.	65°	TOWNSHIP	DAMASCUS	
				SECTION	07	
				T	5	N
				R	8	E

TYPE MONUMENT MON. BOX W/IRON PIN
 ON SURFACE - ~~BELOW~~ ON
~~LEFT~~ - Q PAV'T - ~~RIGHT~~ ON
10.5' TO LT EDGE PAVEMENT
 S.L.M. 452+78
 Grid: Northing: 637612.305 Easting: 1562464.411



RECORD: CS/SEC 08
 PLAN STA: 451+62.27
 NOTE: THIS MON. BOX SET
 DURING NEW CONST. IN 1988
 GPS, MONREFGB17
 09/01/15, JFO
 FD MON BOX COVERED
 08/03/16, JFO



O.D.O.T. DISTRICT 2 SURVEY OFFICE

PERSONNEL

REFERENCE NO. ¹⁹⁸⁸ 176

SHEET 18 OF 37

NOTES BARNHISEL
H.C. CANTERBURY
R.C. BARNHISEL

DATE 09/20/04
WEATHER CLEAR
TEMP. +65°

ROUTE S.R. 110
COUNTY HENRY
TOWNSHIP DAMASCUS
SECTION 07/08
T 5 N R 8 E

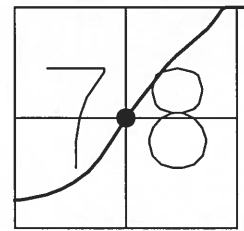
TYPE MONUMENT MON BOX W/IRON PINS
ON SURFACE - ~~BELOW~~ YES

LEFT - Q PAV'T - ~~RIGHT~~ YES/9.5' LT / YES

TO LT EDGE PAVEMENT

S.L.M. 451+27 452+03 452+78

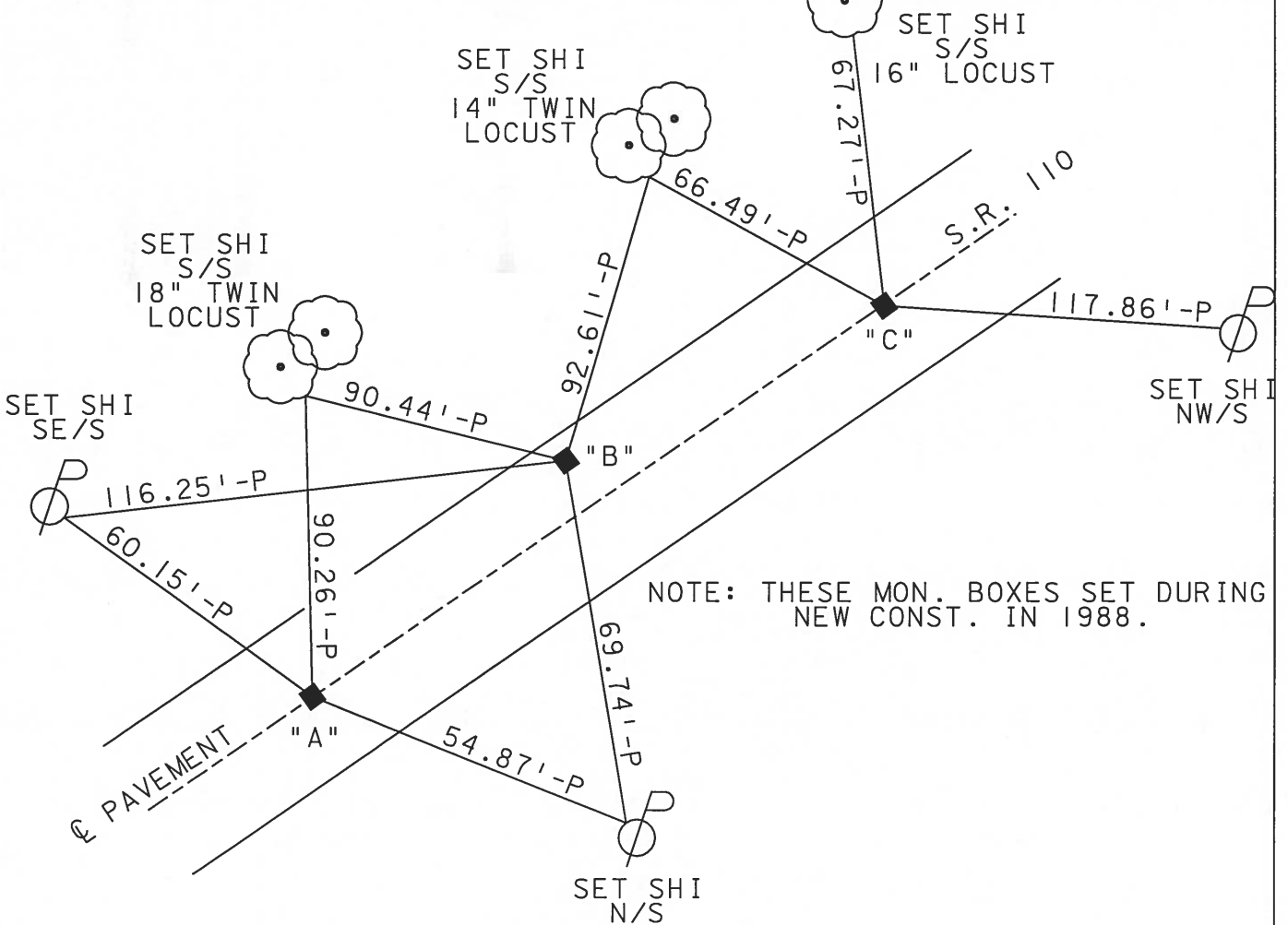
A=10.6
B=1.4
C=10.5



"A"
RECORD: SC/SEC. 07
PLAN STA: 450+10.69

"B"
RECORD: PI/SEC 07
PLAN STA: 450+87.05

"C"
RECORD: CS/SEC 08
PLAN STA: 451+62.27



NOTE: THESE MON. BOXES SET DURING NEW CONST. IN 1988.