

O.D.O.T. DISTRICT 2 SURVEY OFFICE (USE ONLY)

PERSONNEL

REFERENCE NO. 18 B

SHEET 39 OF 61

NOTES NIESE DATE 3/27/24
 H.C. MILLER WEATHER WINDY
 R.C. RHOADES TEMP. 25°

ROUTE SR 110
 COUNTY HENRY
 TOWNSHIP DAMASCUS
 SECTION 8
 T 5 N R 8 E

DWG BY RHOADES PID 114846

TYPE MONUMENT MONBOX W/1" IPIN

ON SURFACE - ~~BELOW~~ ON

OFFSET \odot PAVEMENT 0.5' LT : ~~RT~~
10.2' TO LT EDGE PAVEMENT

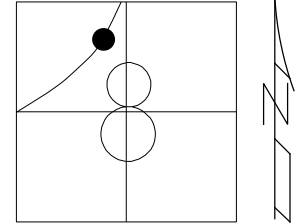
STATION: 459+92.51

HORZ. DATUM: NAD83 2011

GEOID: NAVD88 2018

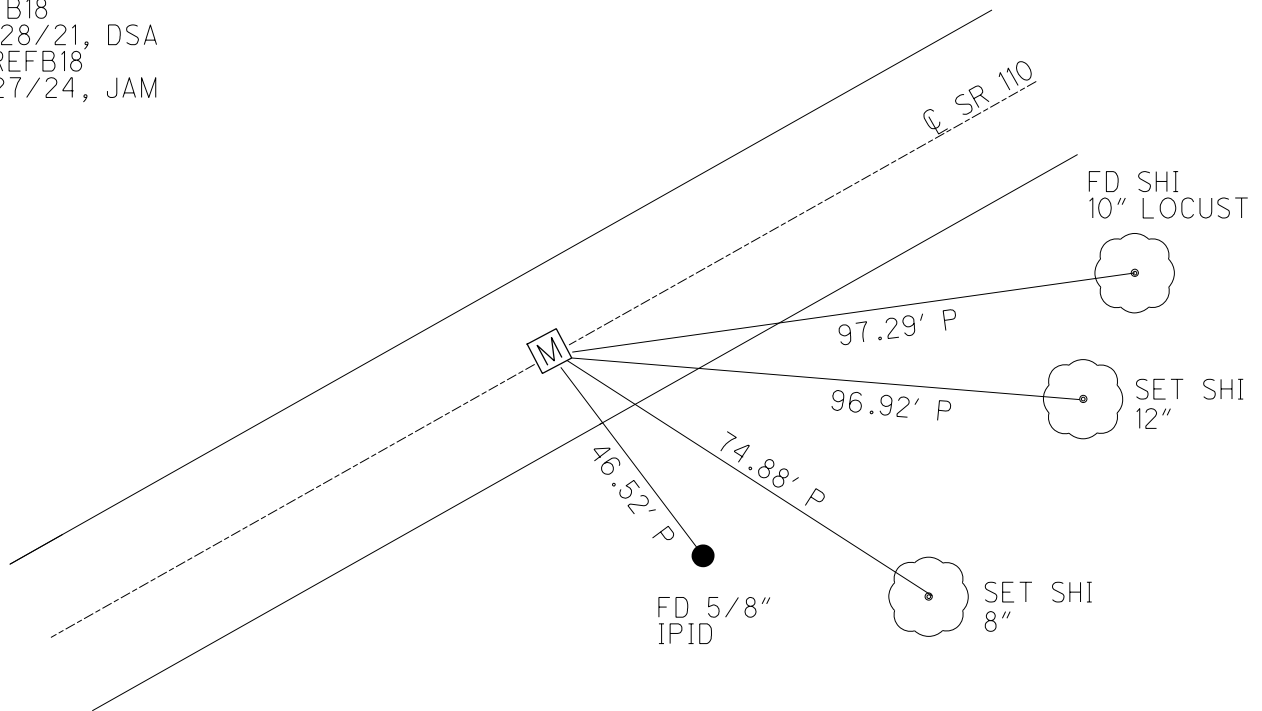
GRID: NORTHING: 638802.793

EASTING: 1563433.104



RECORD: T.S.
 FD MONBOX
 MONREFB18
 9/01/15, JFO
 FD MONBOX
 W/1" IPIN
 REFB18
 12/28/21, DSA
 CKREFB18
 3/27/24, JAM

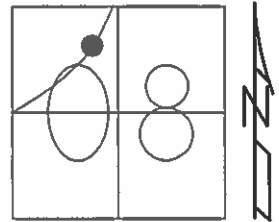
HEN LPD
 N: 495758.558
 E: 197840.211



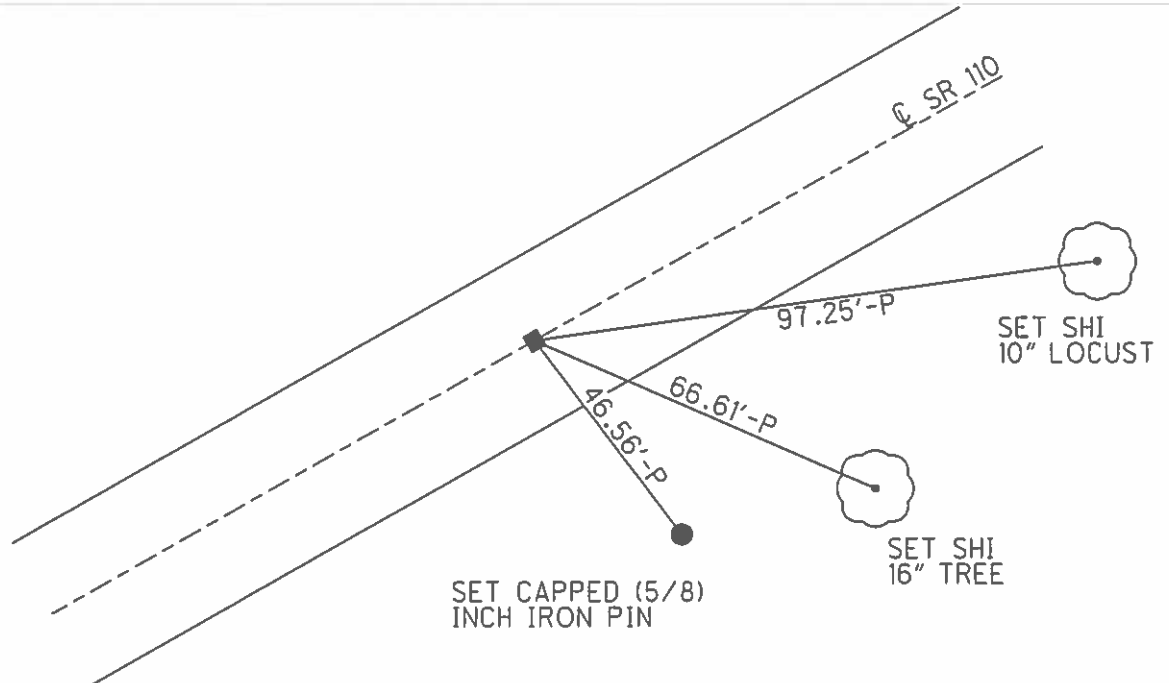
O.D.O.T. DISTRICT 2 SURVEY OFFICE (USE ONLY)

PERSONNEL	REFERENCE NO.	<u>18B</u>	SHEET	<u>40</u>	OF	<u>58</u>
NOTES	<u>CANTERBURY</u>	DATE	<u>09/22/04</u>	ROUTE	<u>SR 110</u>	
H.C.	<u>CANTERBURY</u>	WEATHER	<u>CLEAR</u>	COUNTY	<u>HENRY</u>	
R.C.	<u>HOOVER</u>	TEMP.	<u>67°</u>	TOWNSHIP	<u>DAMASCUS</u>	
				SECTION	<u>08</u>	
				T	<u>5</u>	N
				R	<u>8</u>	E

TYPE MONUMENT MON. BOX W/IRON PIN
 ON SURFACE - ~~BELOW~~ ON
 LEFT - ~~C PAV'T~~ - ~~RIGHT~~ 0.5'
10.2' TO LT EDGE PAVEMENT
 S.L.M. 468+13
 Grid: Northing: 638802.784 Easting: 1563433.128



RECORD: TS
 PLAN STA: 466+96.93
 NOTE: THIS MON. BOX SET
 DURING NEW CONST. IN 1988
 GPS, MONREFB18
 09/01/15, JFO
 FD MON BOX COVERED
 08/03/16, JFO



O.D.O.T. DISTRICT 2 SURVEY OFFICE

PERSONNEL _____

REFERENCE NO. ¹⁹⁸⁸ 188

SHEET 23 OF 37

NOTES CANTERBURY

DATE 09/22/04

ROUTE S.R. 110

H.C. CANTERBURY

WEATHER CLEAR

COUNTY HENRY

R.C. HOOKER

TEMP. +67°

TOWNSHIP DAMASCUS

SECTION 08

T 5 N R 8 E

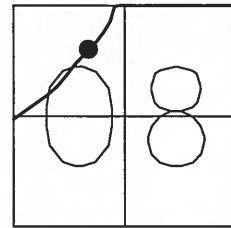
TYPE MONUMENT MON BOX W/IRON PIN

ON SURFACE - ~~BELOW~~ YES

LEFT - Q PAV'T - ~~RIGHT~~ 0.5'

10.2' TO LT EDGE PAVEMENT

S.L.M. 468+13



RECORD: TS
PLAN STA: 466+96.93

NOTE: THIS MON. BOX SET DURING
NEW CONST. IN 1988.

