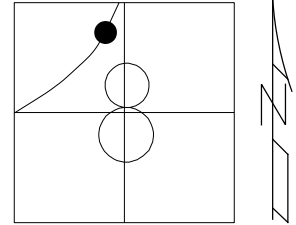


O.D.O.T. DISTRICT 2 SURVEY OFFICE (USE ONLY)

PERSONNEL \_\_\_\_\_ REFERENCE NO. 18 C SHEET 40 OF 61  
 NOTES NIESE DATE 3/27/24 ROUTE SR 110  
 H.C. MILLER WEATHER WINDY7 COUNTY HENRY  
 R.C. RHOADES TEMP. 25° TOWNSHIP DAMASCUS  
 SECTION 8  
 DWG BY RHOADES PID 114846 T 5 N R 8 E

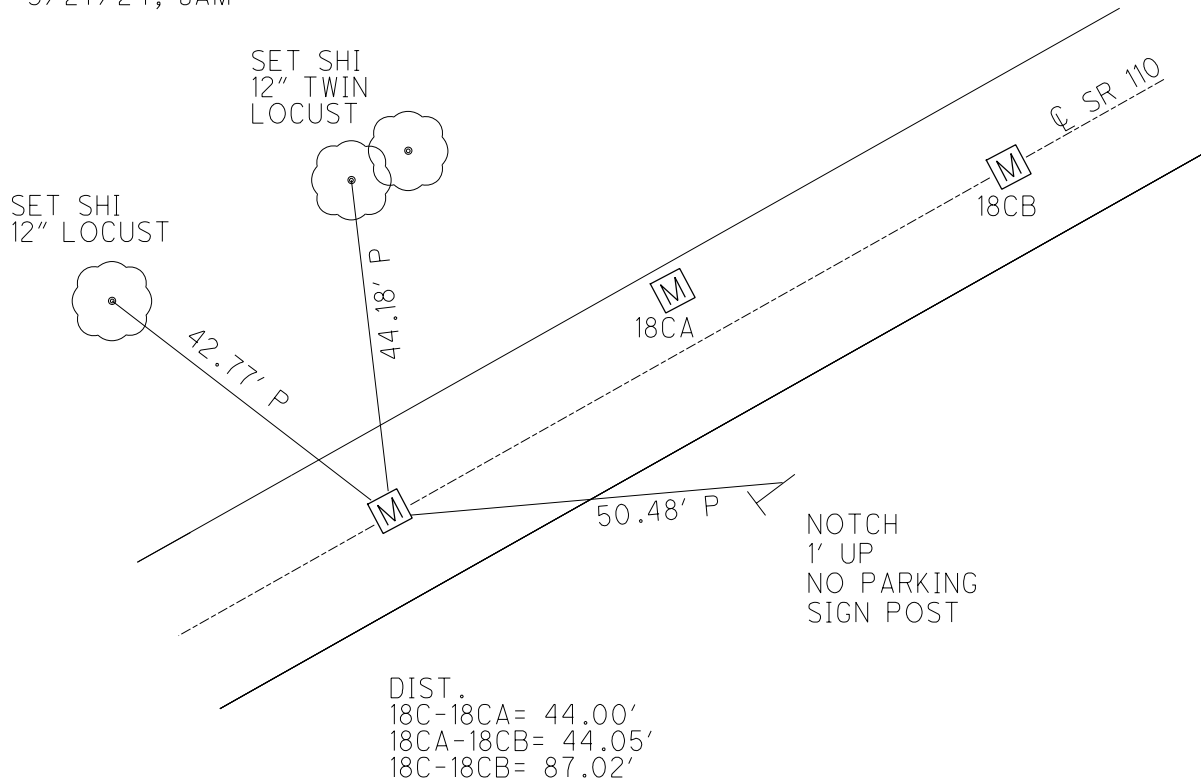
TYPE MONUMENT MONBOX W/1" IPIN  
 ON SURFACE - ~~BELOW~~ ON  
 OFFSET 0.5' LT : ~~RT~~  
10.6' TO LT EDGE PAVEMENT  
 STATION: 461+92.51



HORIZ.DATUM: NAD83 2011 GEOID: NAVD88 2018  
 GRID: NORTHING: 638960.552 EASTING: 1563556.109

RECORD: S.C.  
 FD MONBOX  
 MONREFC18  
 9/01/15, JFO  
 FD MONBOX  
 W/1" IPIN  
 REFC18  
 12/28/21, DSA  
 CKREFC18  
 3/27/24, JAM

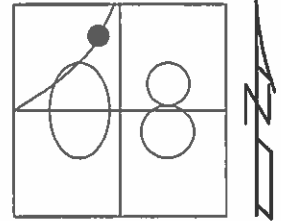
HEN LPD  
 N: 495918.541  
 E: 197960.250



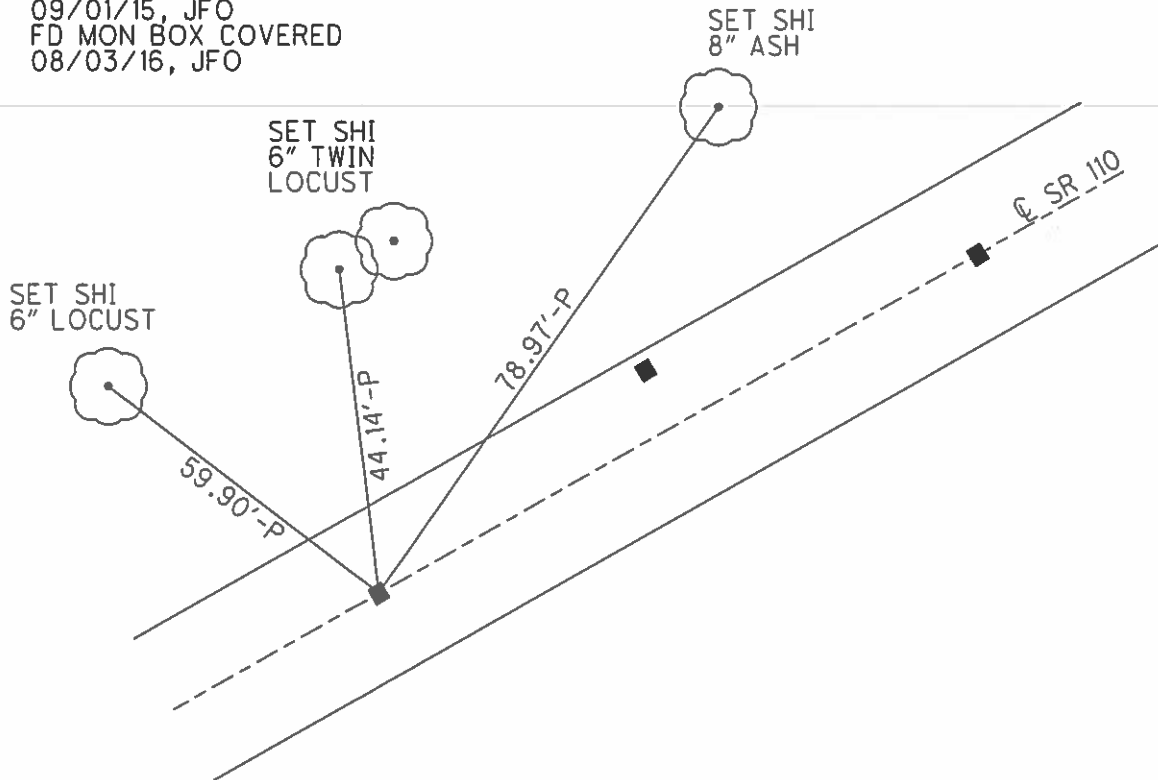
O.D.O.T. DISTRICT 2 SURVEY OFFICE (USE ONLY)

PERSONNEL \_\_\_\_\_ REFERENCE NO. 18C SHEET 41 OF 58  
 NOTES CANTERBURY DATE 09/22/04 ROUTE SR 110  
 H.C. CANTERBURY WEATHER CLEAR COUNTY HENRY  
 R.C. HOOKER TEMP. 70° TOWNSHIP DAMASCUS  
 \_\_\_\_\_ SECTION 08  
 \_\_\_\_\_ T 5 N R 8 E

TYPE MONUMENT MON. BOX W/IRON PIN  
 ON SURFACE - ~~BELOW~~ ON  
 LEFT - ~~C PAV'T~~ - ~~RIGHT~~ 0.5' LT  
10.6' TO LT EDGE PAVEMENT  
 S.L.M. 470+13



RECORD: SC  
 PLAN STA: 468+96.93  
 NOTE: THIS MON. BOX SET  
 DURING NEW CONST. IN 1988  
 GPS, MONREFC18  
 09/01/15, JFO  
 FD MON BOX COVERED  
 08/03/16, JFO



O.D.O.T. DISTRICT 2 SURVEY OFFICE

PERSONNEL \_\_\_\_\_

REFERENCE NO. <sup>1988</sup> 18C

SHEET 24 OF 37

NOTES CANTERBURY

DATE 09/22/04

ROUTE S.R. 110

H.C. CANTERBURY

WEATHER CLEAR

COUNTY HENRY

R.C. HOOVER

TEMP. +70°

TOWNSHIP DAMASCUS

SECTION 08

T 5 N R 8 E

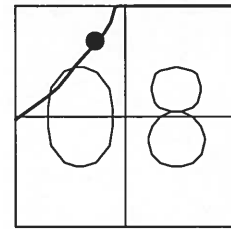
TYPE MONUMENT MON BOX W/IRON PINS

ON SURFACE - ~~BELOW~~ YES

LEFT - Q PAV'T - ~~RIGHT~~ 0.5'LT/6.5'LT/YES

TO LT EDGE PAVEMENT

S.L.M. 470+13      470+57      471+00

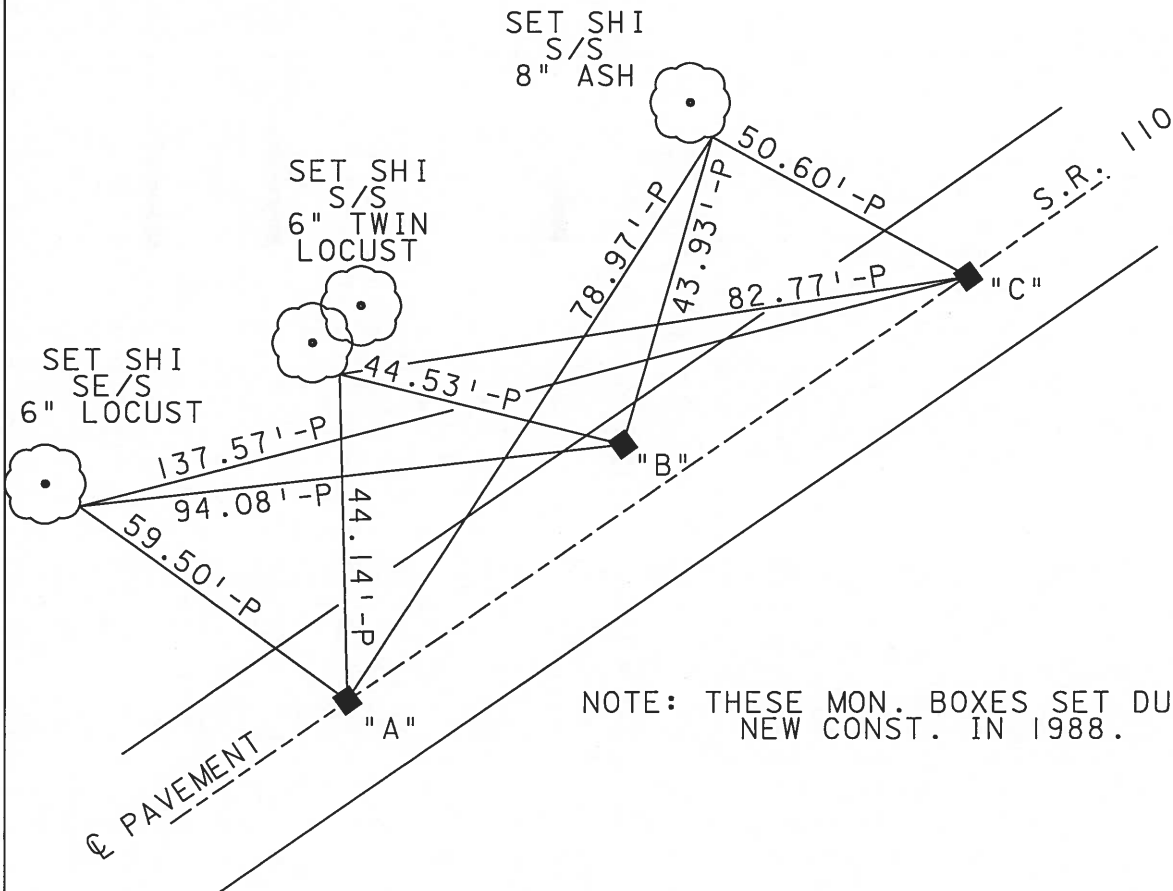


A=10.6'  
B=4.5'  
C=10.6'

"A"  
RECORD: SC  
PLAN STA: 468+96.93

"B"  
RECORD: PI  
PLAN STA: 469+40.90

"C"  
RECORD: CS  
PLAN STA: 469+84.22



NOTE: THESE MON. BOXES SET DURING NEW CONST. IN 1988.