

O.D.O.T. DISTRICT 2 SURVEY OFFICE (USE ONLY)

PERSONNEL

REFERENCE NO. 24

SHEET 61 OF 61

NOTES MILLER

DATE 12/19/23

ROUTE SR 110

H.C. AUBLE

WEATHER CLEAR

COUNTY HENRY

R.C. RHOADES

TEMP. 27°

TOWNSHIP DAMASCUS

ASTON

SECTION 9

DWG BY RHOADES PID 114846

T 5 N R 8 E

TYPE MONUMENT ON

ON SURFACE - ~~BELOW~~ ON

OFFSET \odot PAVEMENT 1.1' LT : ~~RT~~

9.8' TO LT EDGE PAVEMENT

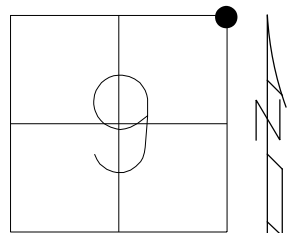
STATION: 564+10.43

HORIZ.DATUM: NAD83 2011

GEOID: NAVD88 2018

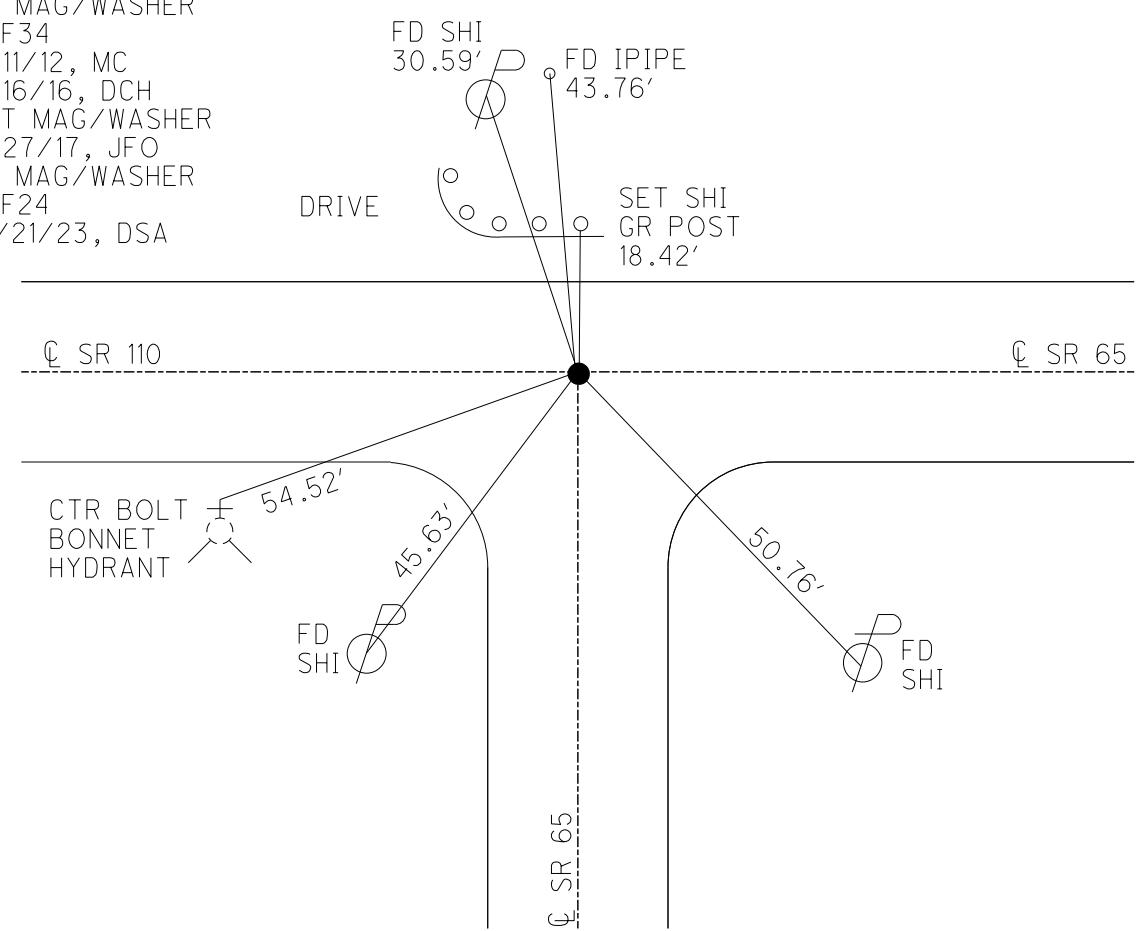
GRID: NORTHING: 640241.079

EASTING: 1573133.732



RECORD:
 FD MAG/WASHER
 4/11/03, MB
 SET MAG/WASHER
 5/19/03, MC
 FD MAG/WASHER
 REF34
 7/11/12, MC
 2/16/16, DCH
 SET MAG/WASHER
 9/27/17, JFO
 FD MAG/WASHER
 REF24
 12/21/23, DSA

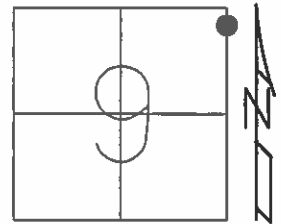
NOTE: REF34 SR 65



O.D.O.T. DISTRICT 2 SURVEY OFFICE (USE ONLY)

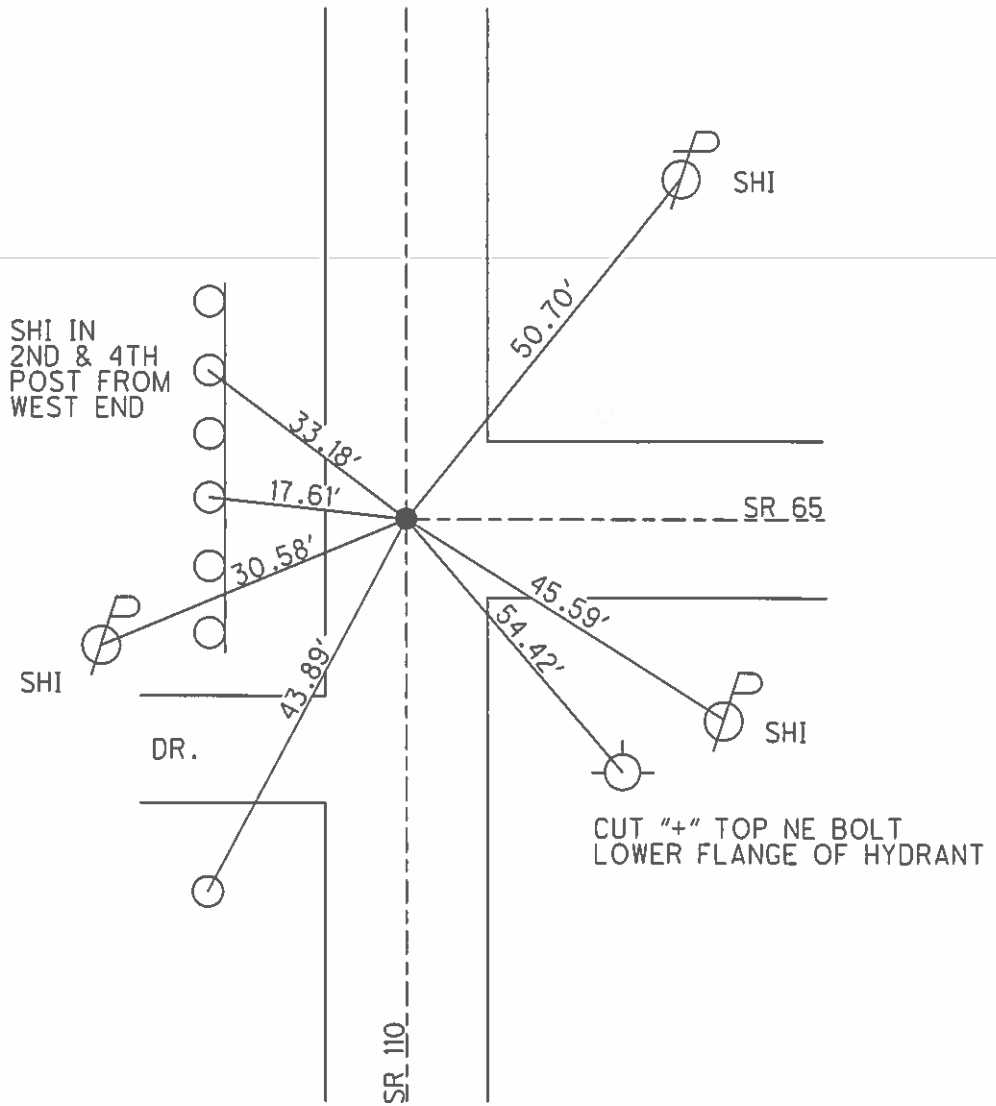
PERSONNEL	REFERENCE NO.	<u>24</u>	SHEET	<u>58</u>	OF	<u>58</u>
NOTES	<u>RHOADES</u>	DATE	<u>09/02/15</u>	ROUTE	<u>SR 110</u>	
H.C.	<u>O' DONNELL</u>	WEATHER	<u>HAZE</u>	COUNTY	<u>HENRY</u>	
R.C.	<u>RHOADES</u>	TEMP.	<u>82°</u>	TOWNSHIP	<u>DAMASCUS</u>	
				SECTION	<u>9</u>	
				T	<u>5</u>	N
				R	<u>8</u>	E

TYPE MONUMENT _____ MAG/W _____
 ON SURFACE - ~~BELOW~~ _____ ON _____
 LEFT - Q PAV'T - RIGHT _____
 _____ TO _____ EDGE PAVEMENT
 S.L.M. _____ 572+88± _____



Grid: Northing: 640241.081 Easting: 1573133.724

RECORD: P1
 Δ = 3° - 16' LT
 GPS, REF24
 09/01/15, JFO
 NOT COVERED
 08/03/16 JMR



County HENRY S.R. 110

Date 4-28-82

Township DAMASCUS

Weather _____

Section 9

Temp. +50°

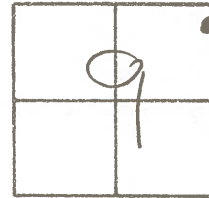
T, N, R, E

Personnel HOFFMAN

HOUSEHOLDER

LOEHRKE

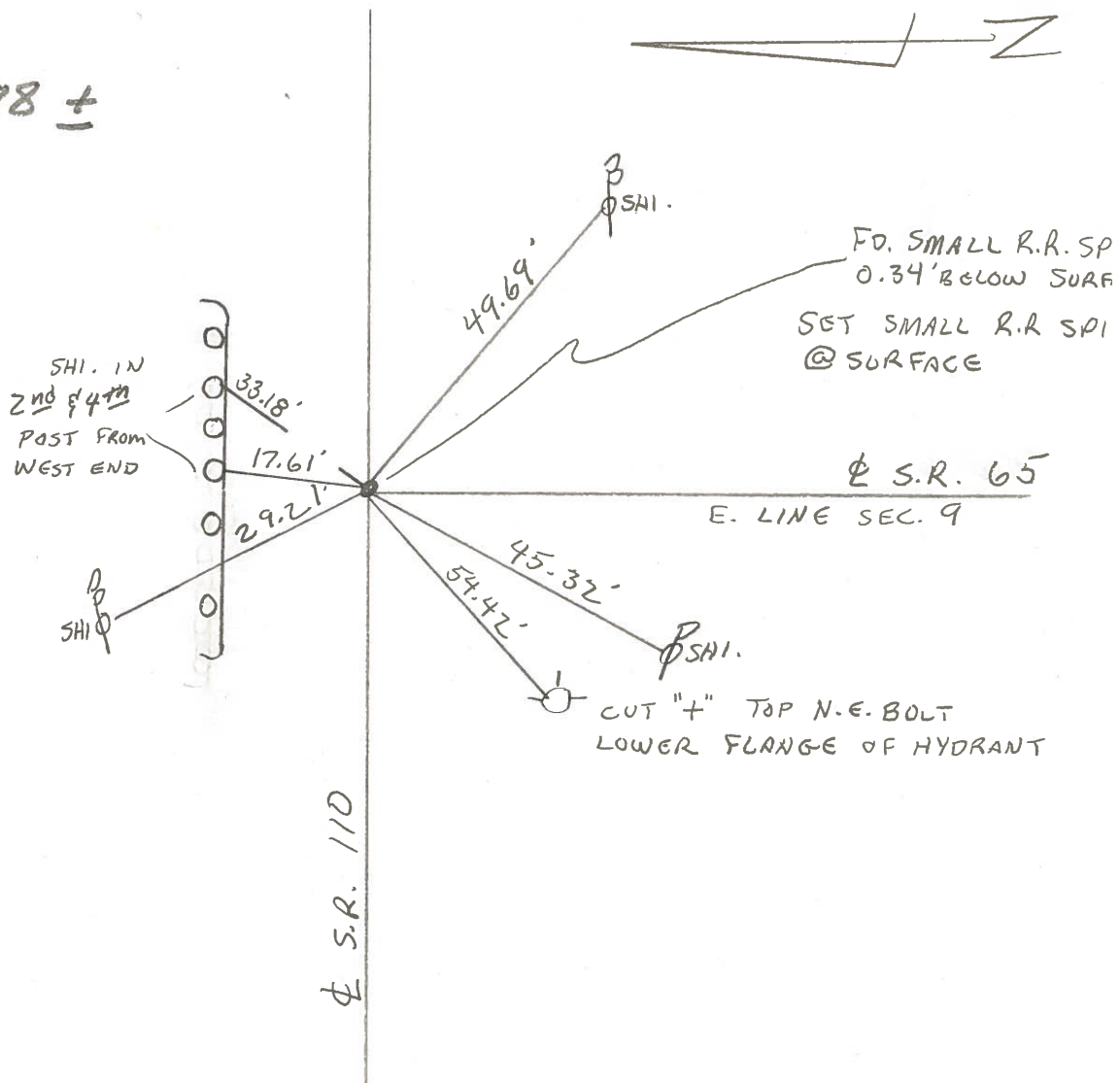
#24



P.I.

A = 3°-16' LT.

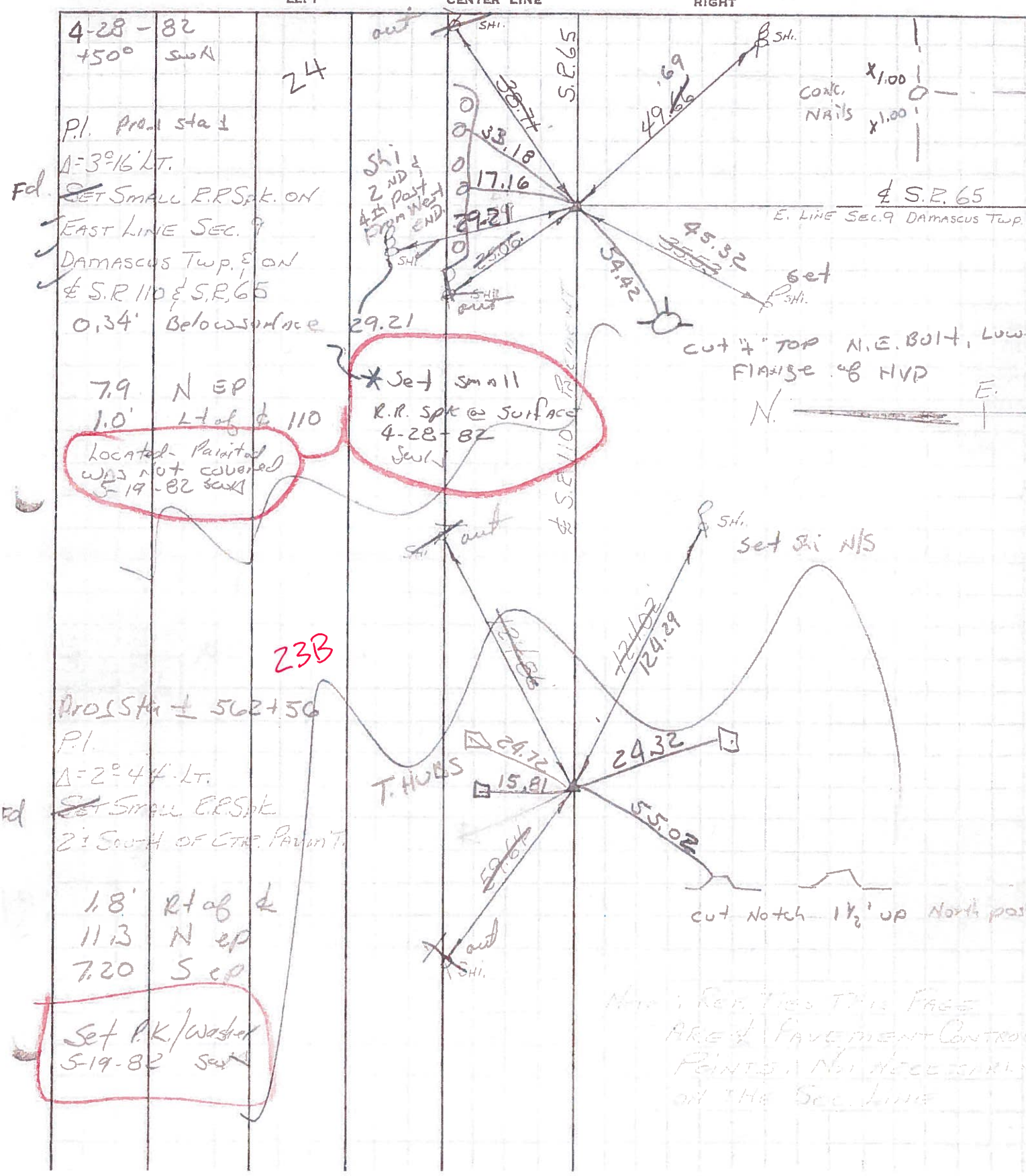
Sta - 572+88 ±



PERSONNEL TITLE PERSONNEL TITLE
BURNSIDE _____
SMITH _____
BOWERS _____
MEAD _____

COUNTY HENRY DATE 9-26-74
 S. R. 110 & 65 WEATHER CLEAR
 SEC. _____ TEMP. +72°

DESCRIPTION CENTER LINE CONTROL TIES JOB NO. _____



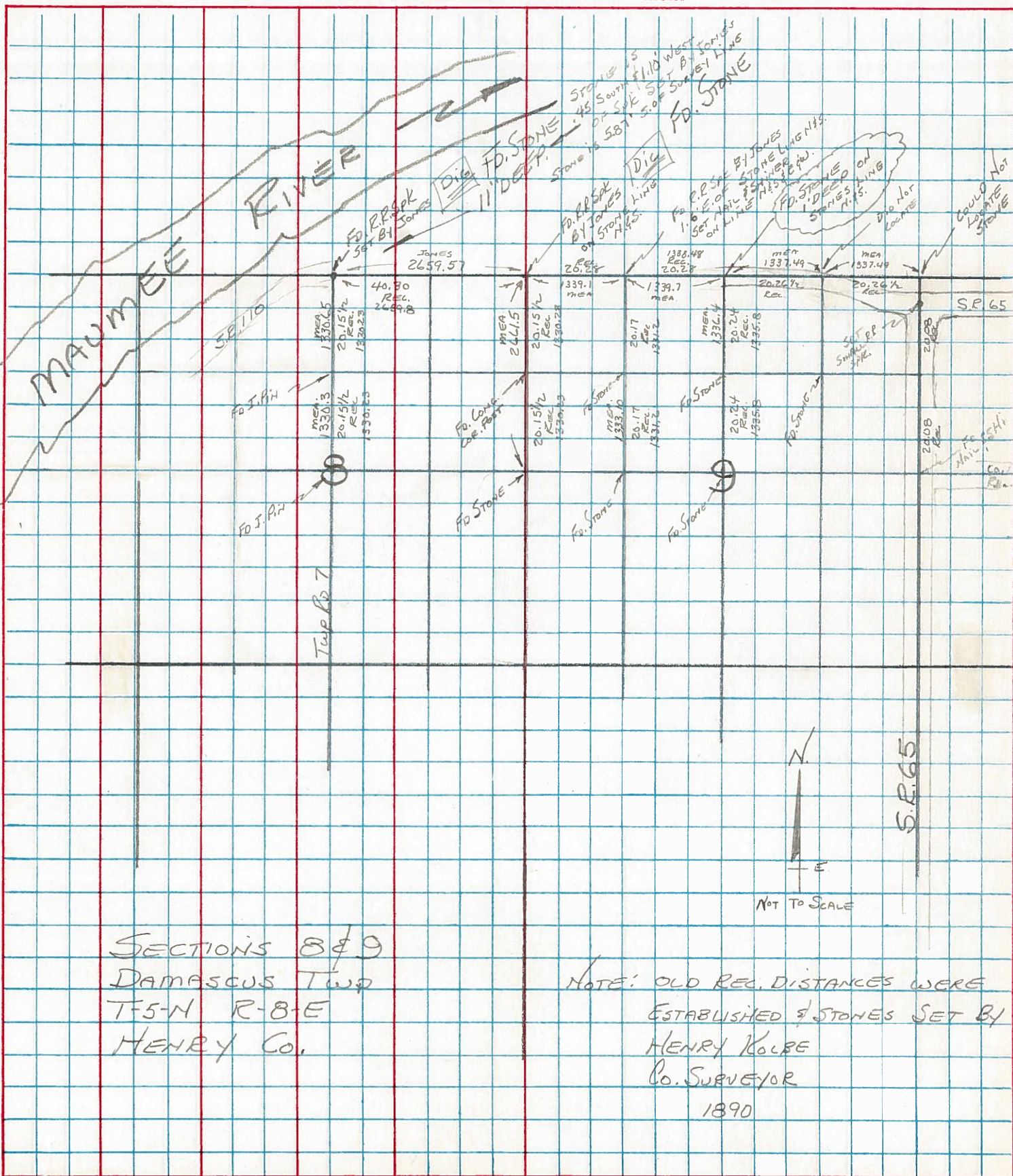
PERSONNEL TITLE PERSONNEL TITLE

COUNTY HENRY DATE _____

S. R. 110 & 65 WEATHER _____

SEC. 8 & 9 TEMP. _____

DESCRIPTION STONE LOCATION JOB NO. _____



SECTIONS 8 & 9
 DAMASCUS TWP
 T-5-N R-8-E
 HENRY CO.

NOTE: OLD REC. DISTANCES WERE
 ESTABLISHED BY STONES SET BY
 HENRY KOLBE
 CO. SURVEYOR
 1890

