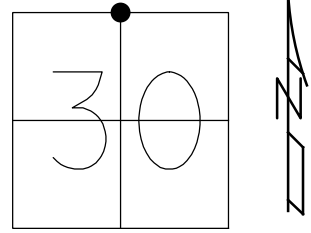


O.D.O.T. DISTRICT 2 SURVEY OFFICE (USE ONLY)

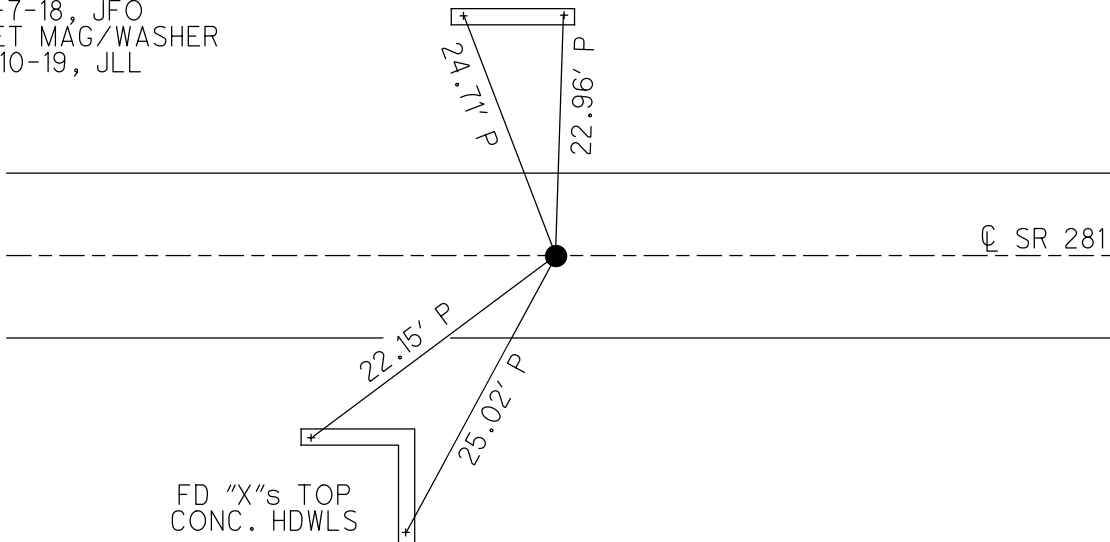
PERSONNEL _____ REFERENCE NO. 2 SHEET 3 OF 20
 NOTES RHOADES DATE 6-7-18 ROUTE SR 281
 H.C. O'DONNELL WEATHER CLOUDY COUNTY HENRY
 R.C. TRENKA TEMP. 65° TOWNSHIP FLAT ROCK
 SECTION 30
 DWG BY JAMES PID 102763 T 4 N R 6 E

TYPE MONUMENT MAG/WASHER
 ON SURFACE - ~~BELOW~~ ON
 OFFSET ☉ PAVEMENT 2.0' ~~±~~ : RT
7.1' TO RT EDGE PAVEMENT
 STATION: 20+68.37

HORZ. DATUM: NAD83 2011 GEOID: NAVD88 2012A
 GRID: NORTHING: 593196.8475 EASTING: 1495831.355



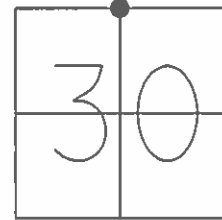
- RECORD:
 FD R.R. SPIKE
 1 1/2" DOWN
 1985
 SET P.K./WASHER
 8-24-95, KPM
 FD P.K./WASHER
 8-20-09, KPM
 SET MAG/WASHER
 10-19-09, KPM
 FD MAG/WASHER
 REF2
 11-5-13, TMR
 FD MAG/WASHER
 REF2
 11-2-16, JFO
 6-7-18, JFO
 SET MAG/WASHER
 1-10-19, JLL



O.D.O.T. DISTRICT 2 SURVEY OFFICE (USE ONLY)

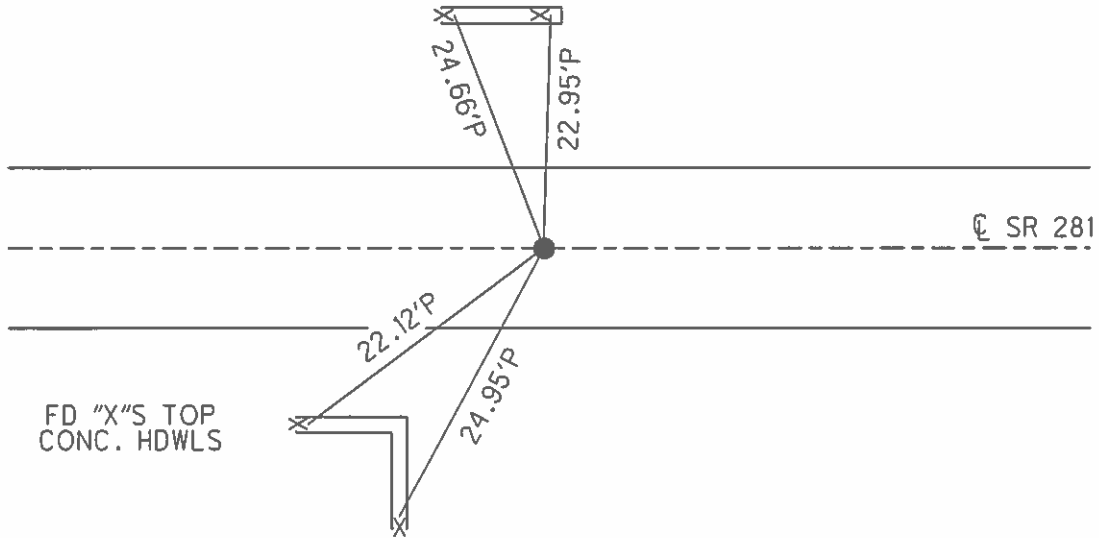
PERSONNEL _____ REFERENCE NO. 2 SHEET 1 OF 14
 NOTES MOSER DATE 8/20/09 ROUTE SR 281
 H.C. GOLDBERG WEATHER CLOUDY COUNTY HENRY
 R.C. MOSER TEMP. 75° TOWNSHIP FLAT ROCK
 _____ SECTION 30
 _____ T 4 N R 6 E

TYPE MONUMENT P.K./WASHER
 ON SURFACE - ~~BELOW~~ ON
~~LEFT =~~ CL PAV'T - RIGHT 2.3'
7.1' TO RT EDGE PAVEMENT
 S.L.M. 20+62.87



GRID: NORTHING: 593196.766 EASTING: 1495831.349

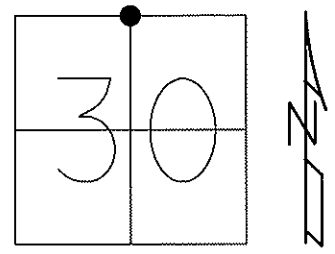
RECORD:
 FD R.R.SPIKE
 1 1/2" DOWN
 1985
 SET P.K./WASHER
 8/24/95, KPM
 SET MAG/WASHER
 10/19/09, KPM
 FD MAG/WASHER
 REF2
 11/5/13, TMR



O.D.O.T. DISTRICT 2 SURVEY OFFICE (USE ONLY)

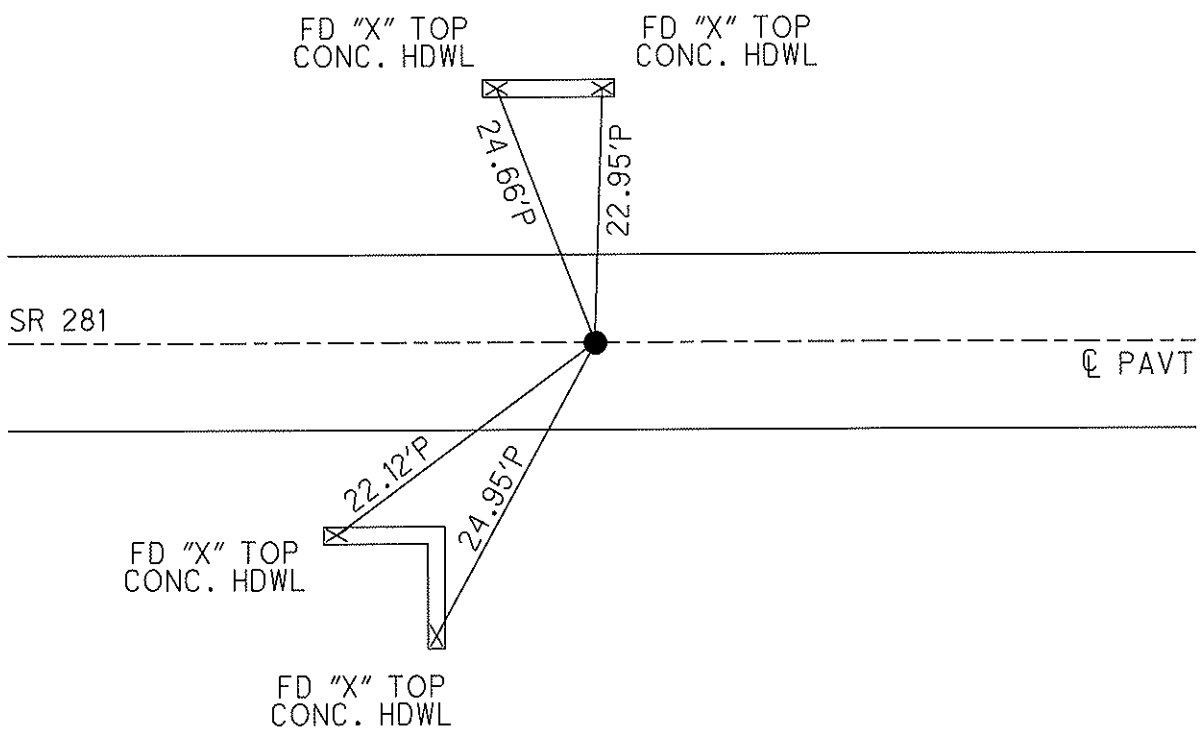
PERSONNEL _____ REFERENCE NO. 2 SHEET 1 OF 14
 NOTES MOSER DATE 8-20-09 ROUTE SR 281
 H.C. GOLDBURG WEATHER CLOUDY COUNTY HENRY
 R.C. MOSER TEMP. +75° TOWNSHIP FLAT ROCK
 _____ SECTION 30
 _____ T 4 N R 6 E

TYPE MONUMENT _____ FD. PK/WASHER
 ON SURFACE - ~~BELOW~~ ON SURFACE
~~LEFT~~ - C PAV'T - RIGHT 2.3' RT.
7.1' TO RT. EDGE PAVEMENT
 S.L.M. 20+64 (SV101)



Grid: Northing: 593196.850 Easting: 1495831.290

RECORD: FD RR SPK
 1 1/2" DOWN
 1985
 SET PK/WASHER
 08-24-95 KPM
 SET MAG/WASHER
 10-19-09 KPM



O.D.O.T. DISTRICT 2 SURVEY OFFICE

PERSONNEL

REFERENCE NO. 2 SHEET 2 OF 13

NOTES HUSS

H.C. VANDUSEN

R.C. MOSER

DATE 6-8-95

WEATHER CLOUDY

TEMP. +62°F

ROUTE S.R. 281

COUNTY HENRY

TOWNSHIP FLAT ROCK

SECTION 30

T4 N R 6 E

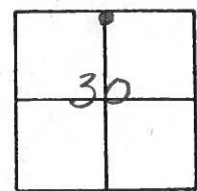
TYPE MONUMENT PK/WASHER

ON SURFACE - ~~BELOW~~ YES

~~LEFT - 1 PAV'T.~~ - RIGHT 2.3' RT.

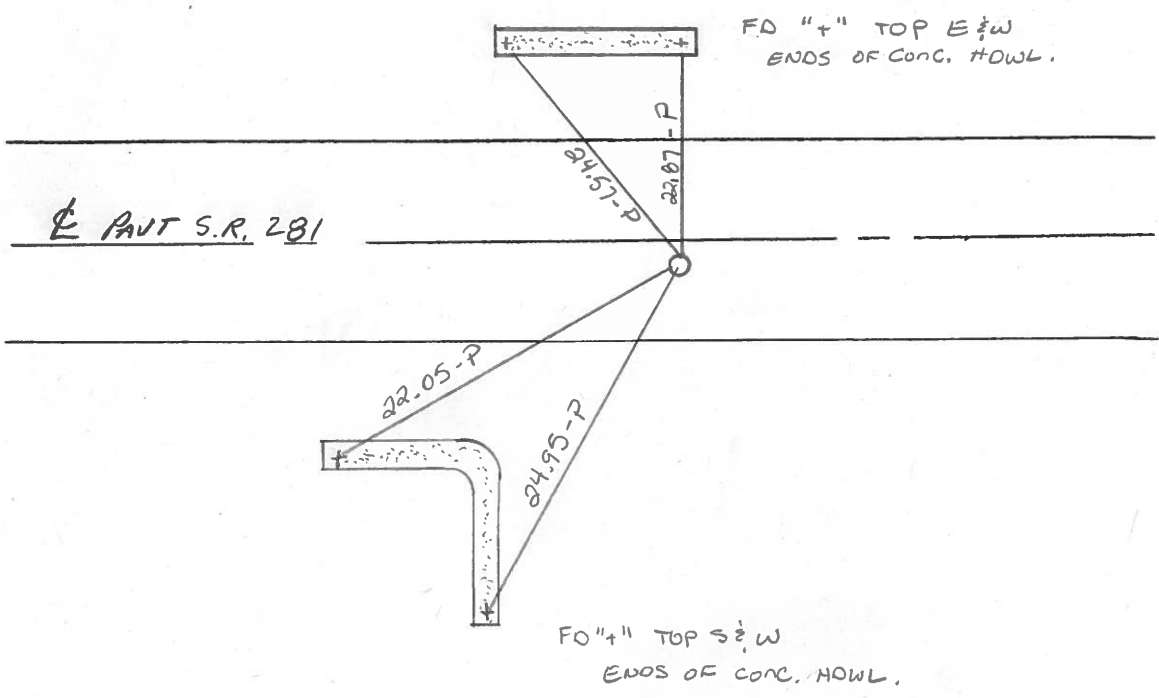
7.6' TO RT. EDGE PAVEMENT

S.L.M. 20+63



RECORD (1985)
FD. RR. SPIKE 1/2" BELOW SURFACE

SET PK/WASHER
8-24-95
KPM



County HENRY S.R. 281

Township FLATROCK

Section 30

T4N, R6E

Personnel Hoffman

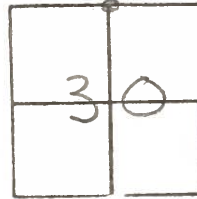
LOEBKE H.C.

BACHMISL R.C.

Date 4-12-85

Weather P. Clear

Temp. 60°



2

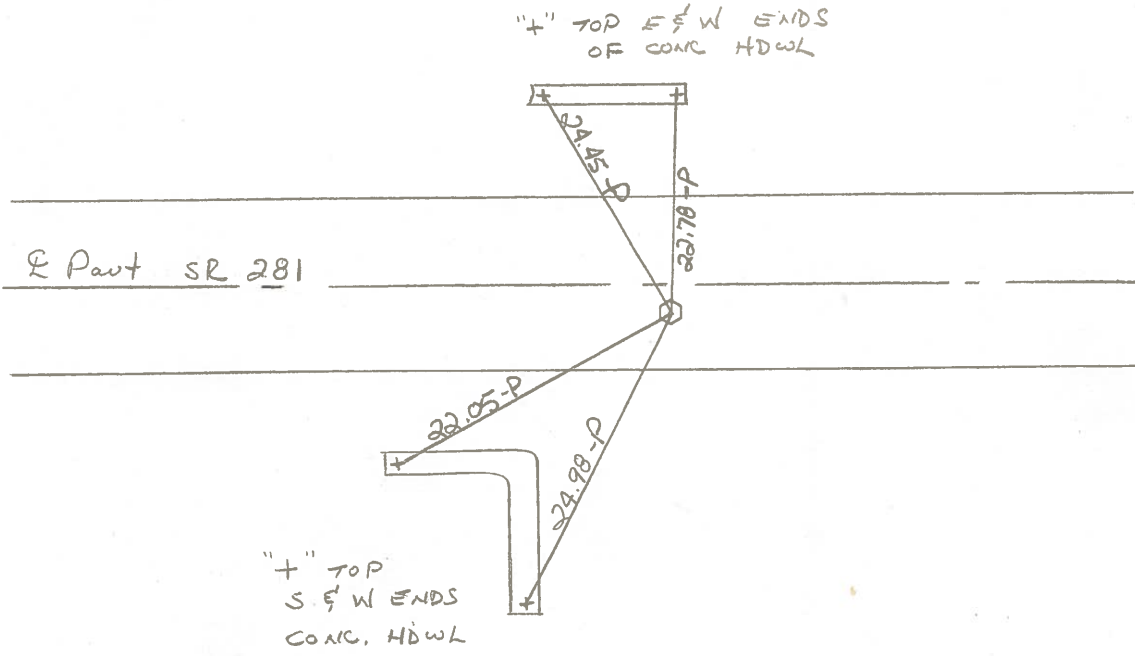
Fed R.R. SPK 1 1/2" Below surface

2.5' RT & Pavt

6.8' TO RT. GP.

SLM 20+62

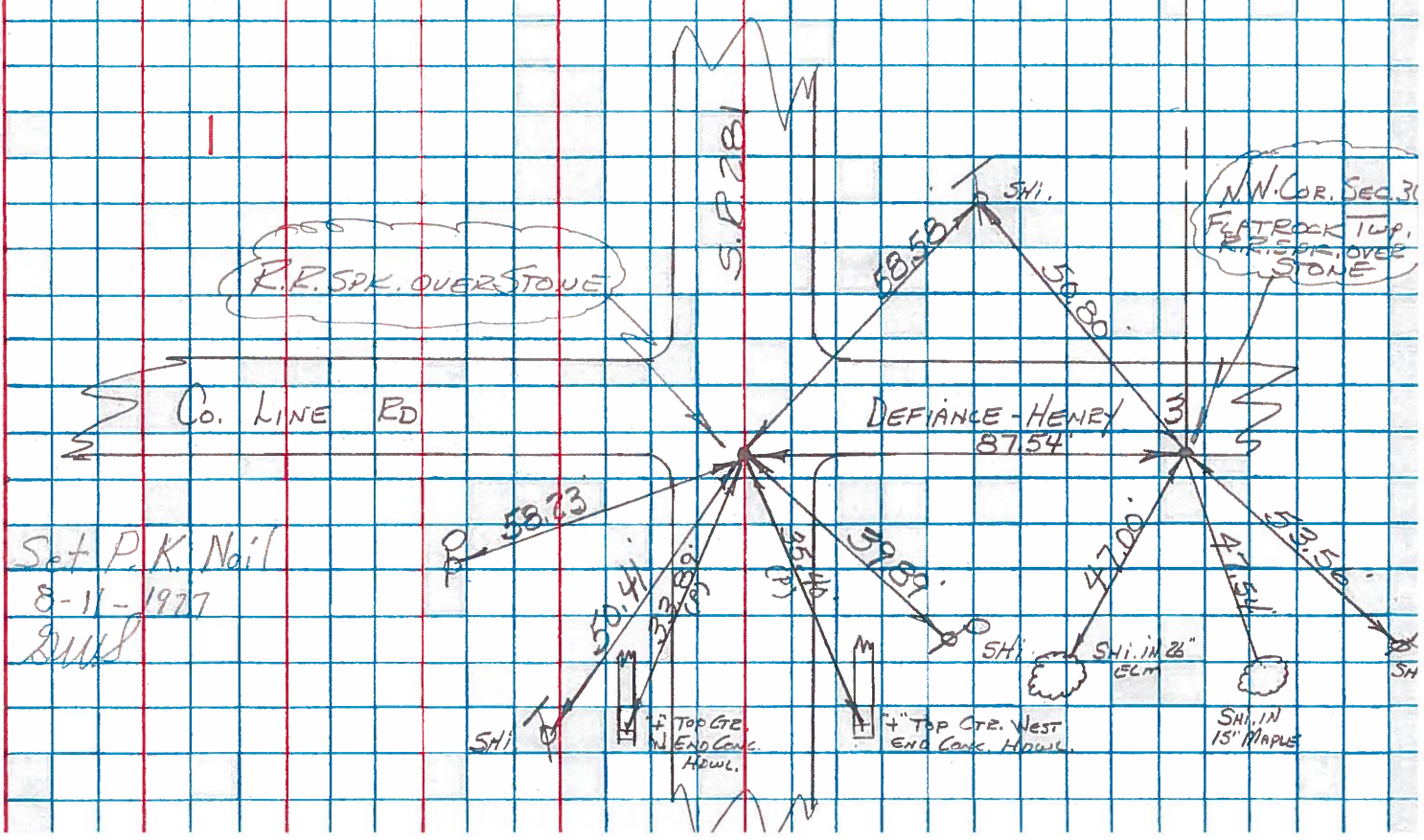
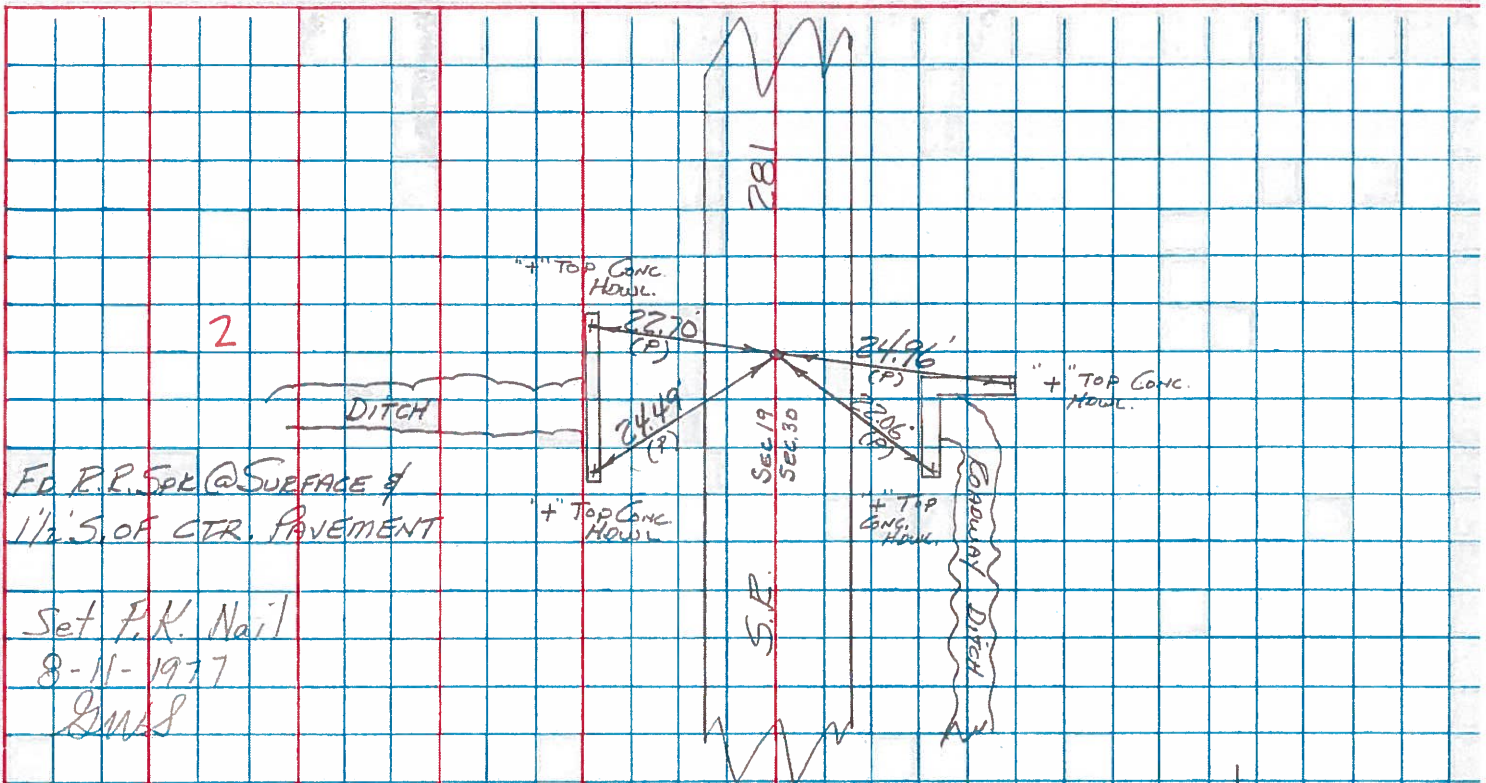
Set 3m RR/SPK
5-8-85
MAB



PERSONNEL	TITLE	PERSONNEL	TITLE
BURNSIDE			
SMITH			
BOWERS			
MEAD			

COUNTY HENRY DATE 6-24-77
 S. R. 281 WEATHER CLOUDY
 SEC. _____ TEMP. +74°

DESCRIPTION _____ LEFT _____ CENTER LINE _____ RIGHT _____ JOB NO. _____



HENRY COUNTY ENGINEER'S OFFICE CORNER STONE RECOVERY PROGRAM

Sht. 2 of 13
S.R. 281

TOWNSHIP FLATROCK

DATE 7-22-76

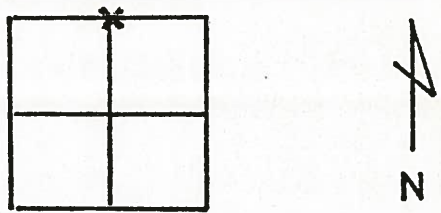
SECTION 30

WEATHER CLEAR & WARM

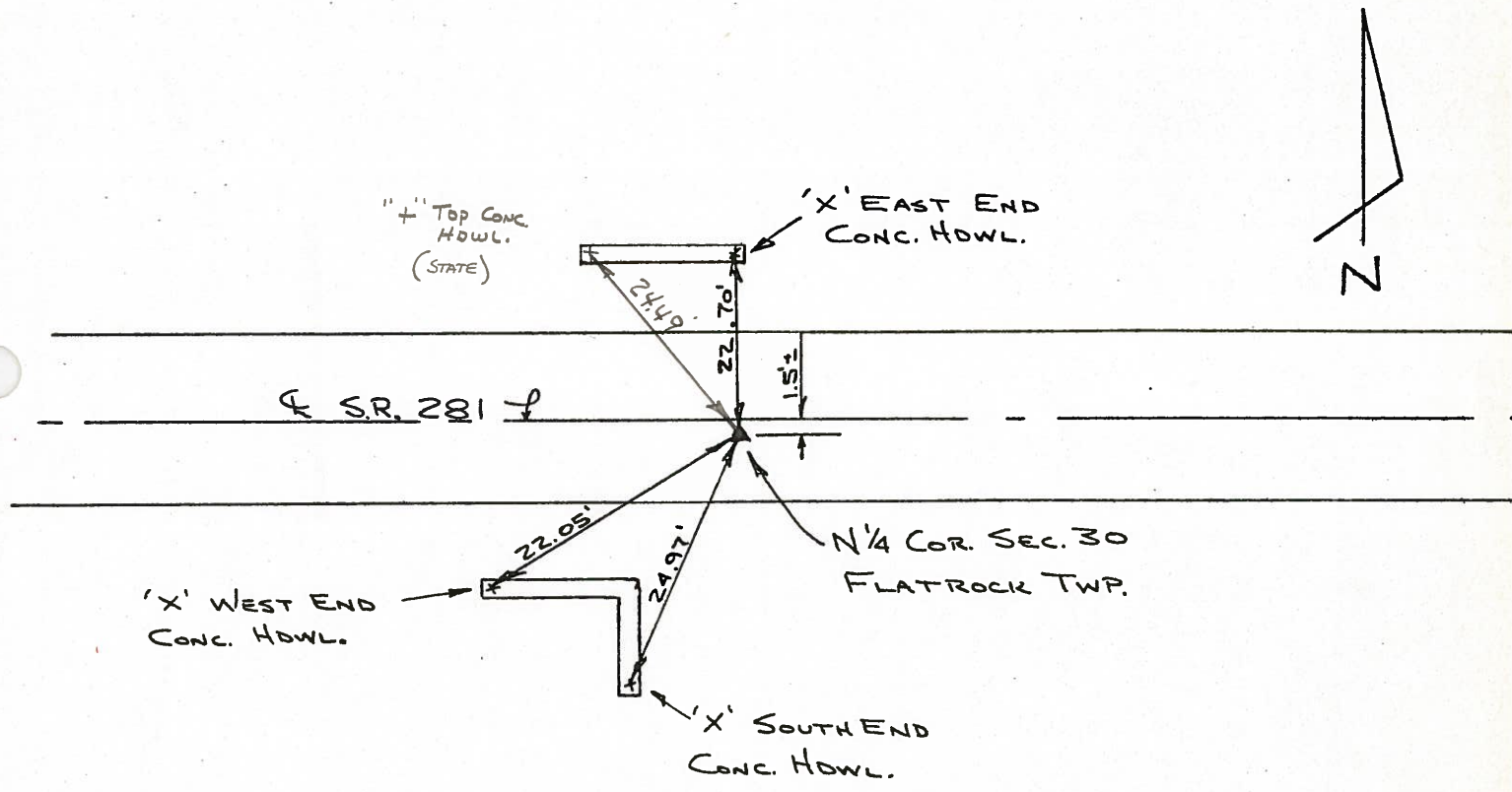
T 4 N, R 6 E

TEMP _____

PERSONNEL JG
BB
SS
M.S.



2



FOUND RR. SPK. OVER STONE. STONE IS 13" DEEP.
PLACED CTR. PUNCHED R.R. SPK. OVER STONE. STONE
IS 1.5' SOUTH OF E S.R. 281. P.K.'S 6' N. & 6' E.

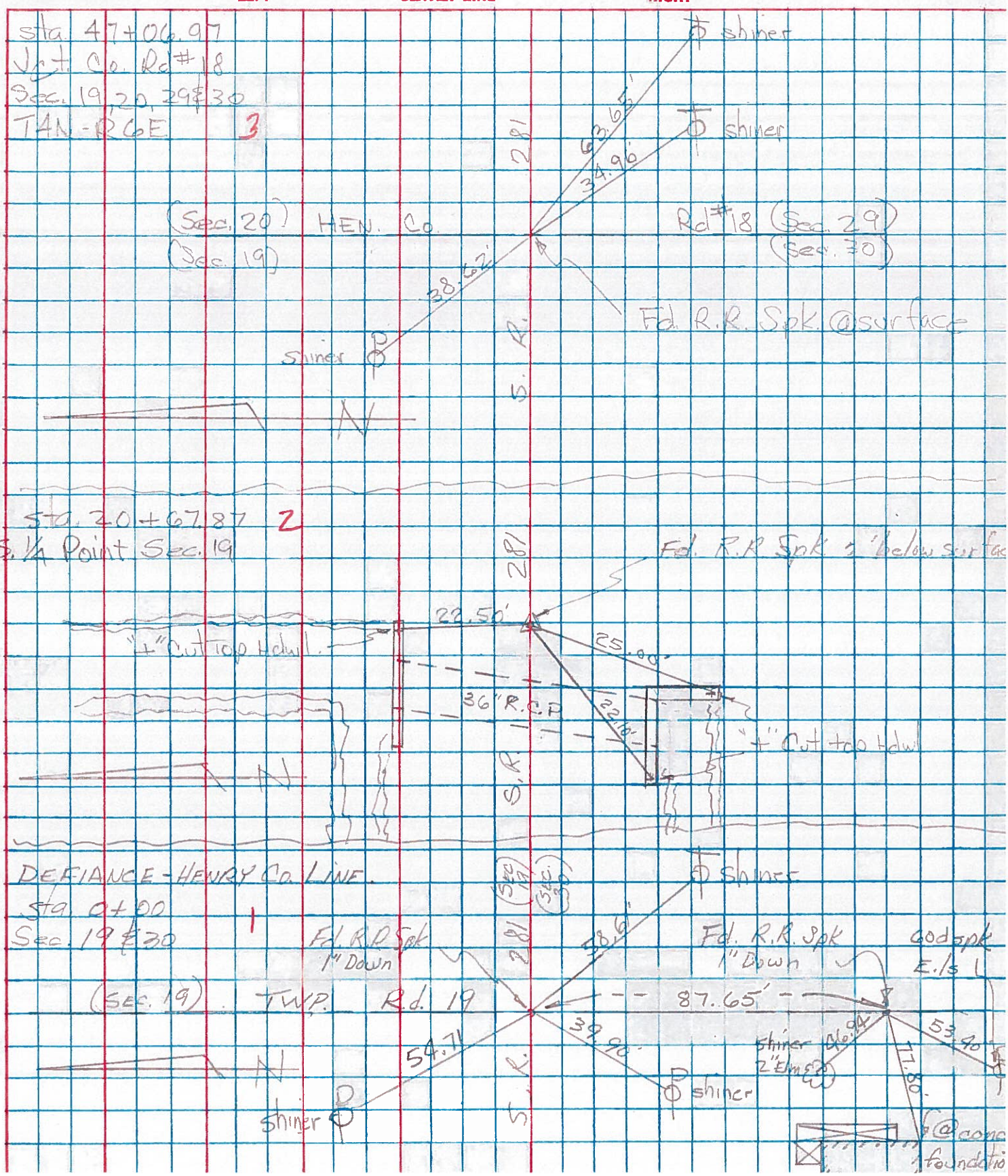
PERSONNEL	TITLE	PERSONNEL	TITLE
Tomsic			
Neuser			
Vandy			
Granata			

COUNTY HENRY DATE Oct. 30, 19

S. R. 281 WEATHER _____

SEC. Flatrock TWP. TEMP. _____

DESCRIPTION LEFT CENTER LINE RIGHT JOB NO.



PERSONNEL TITLE PERSONNEL TITLE

COUNTY Henry DATE 11-29-57

S. R. #281 WEATHER

SEC. "H" TEMP

DESCRIPTION Henry-Defiance Co. line East LEFT CENTER LINE RIGHT JOB NO.

#1-2

Co. line N. & S. Stones.

#1 North stone Ref.
Found 11/29/57 Iron Bolt.

16.45' N.W. To Cross S.E. Cor. N. Br. R.
18.55' S.W. ✓ ✓ N.E. ✓ S. Br. R.
58.63' S.E. Nail & Shi. in P. Pole
87.65' S. To South stone.



#2 South stone Ref.
Iron Bolt.
(Did not find)

53.40' S.W. To 60° spk. E. side P. Pole
77.80' S.W. To S.E. Cor. Conc. House Fd
73.69' N.W. To ⊗ on face of S.E. Cor
S. Br. Rail.



#3

1/4 stone
Found 11/29/57

22.50' N.N.E. To ⊗ on E. end N. Hdwn
25.00' S.S.W. To ⊗ on S. end S. Hdwn
22.10' S.W. To ⊗ on W. end S. Hdwn



#4 S.E. Cor. Sec. 19 Flatrock Twp.
Stone - iron Bolt

Co. Rd #18
5/11/64 Note: For New Ties
See sheet #2A

22.36' S.W. To ⊗ on SW. Wing wall
1585' N.W. To ⊗ on N.E. Wing wall
45.00' S.W. To near side of 2" pipe in cor.
47.77' N.W. To near side of 2" pipe in cor.
37.66' N.W. To 60° spk. in S. side P. Pole



#5 S. 1/4 stone Sec. 20 Flatrock Twp.
Sta. 73+82.1

36.60' N.E. To center iron pipe
36.95' S.E. To center iron pipe
42.70' S.W. To center iron pipe



O.K.
5/11/64

28.67' N. To Shi. P. Pole
64.44' S.W. To Shi. in T. Pole
97.52' E.S.E. To Shi. in T. Pole