

O.D.O.T. DISTRICT 2 SURVEY OFFICE (USE ONLY)

PERSONNEL

REFERENCE NO. 5

SHEET 9 OF 20

NOTES RHOADES DATE 6/7/18

H.C. O'DONNELL WEATHER CLOUDY

R.C. TRENKA TEMP. 65°

ROUTE SR 281

COUNTY HENRY

TOWNSHIP FLAT ROCK

SECTION 29

DWG BY NIESE PID 105662

T 4 N R 6 E

TYPE MONUMENT MAG/WASHER

ON SURFACE - ~~BELOW~~ ON

OFFSET ☒ PAVEMENT ON LT : RT

9.8' TO LT EDGE PAVEMENT

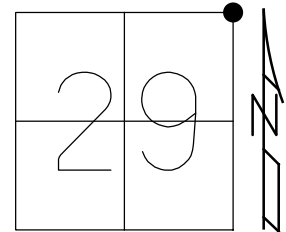
STATION: 100+59.26

HORIZ.DATUM: NAD83 2011

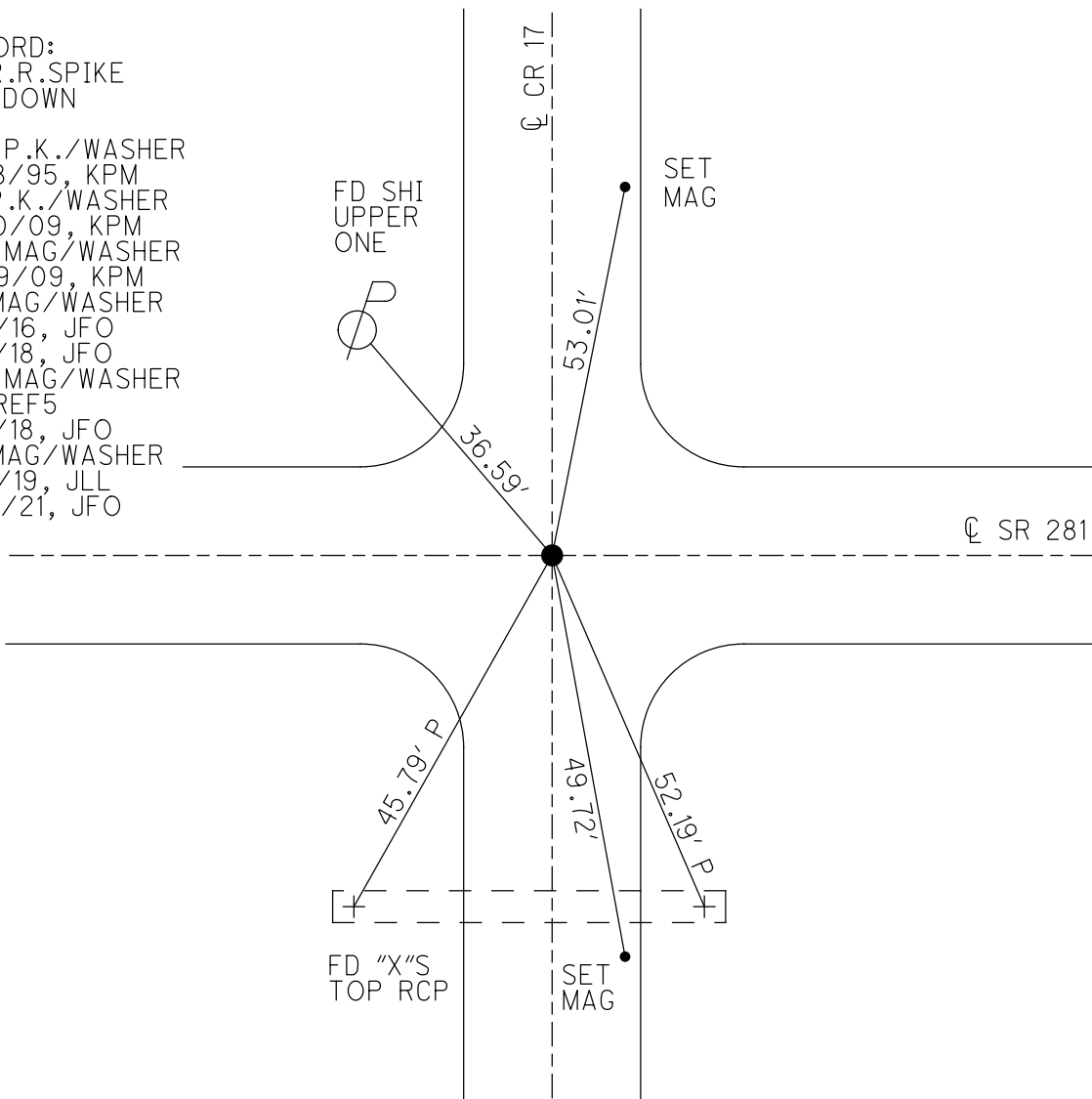
GEOID: NAVD88 2012A

GRID: NORTHING: 593056.696

EASTING: 1503820.722



RECORD:
 FD R.R.SPIKE
 1.5" DOWN
 1985
 SET P.K./WASHER
 8/28/95, KPM
 FD P.K./WASHER
 8/20/09, KPM
 SET MAG/WASHER
 10/19/09, KPM
 FD MAG/WASHER
 11/2/16, JFO
 6/7/18, JFO
 SET MAG/WASHER
 NEWREF5
 8/2/18, JFO
 FD MAG/WASHER
 1/10/19, JLL
 4/14/21, JFO



O.D.O.T. DISTRICT 2 SURVEY OFFICE (USE ONLY)

PERSONNEL

REFERENCE NO. 5

SHEET 9 OF 20

NOTES RHOADES
 H.C. O'DONNELL
 R.C. TRENKA

DATE 6-7-18
 WEATHER CLOUDY
 TEMP. 65°

ROUTE SR 281
 COUNTY HENRY
 TOWNSHIP FLAT ROCK
 SECTION 29

DWG BY JAMES PID 102763

T 4 N R 6 E

TYPE MONUMENT MAG/WASHER

ON SURFACE - ~~BELOW~~ ON

OFFSET \varnothing PAVEMENT ON ~~LT~~ : ~~RT~~

9.8' TO LT EDGE PAVEMENT

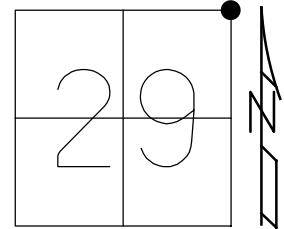
STATION: 100+59.26

HORZ.DATUM: NAD83 2011

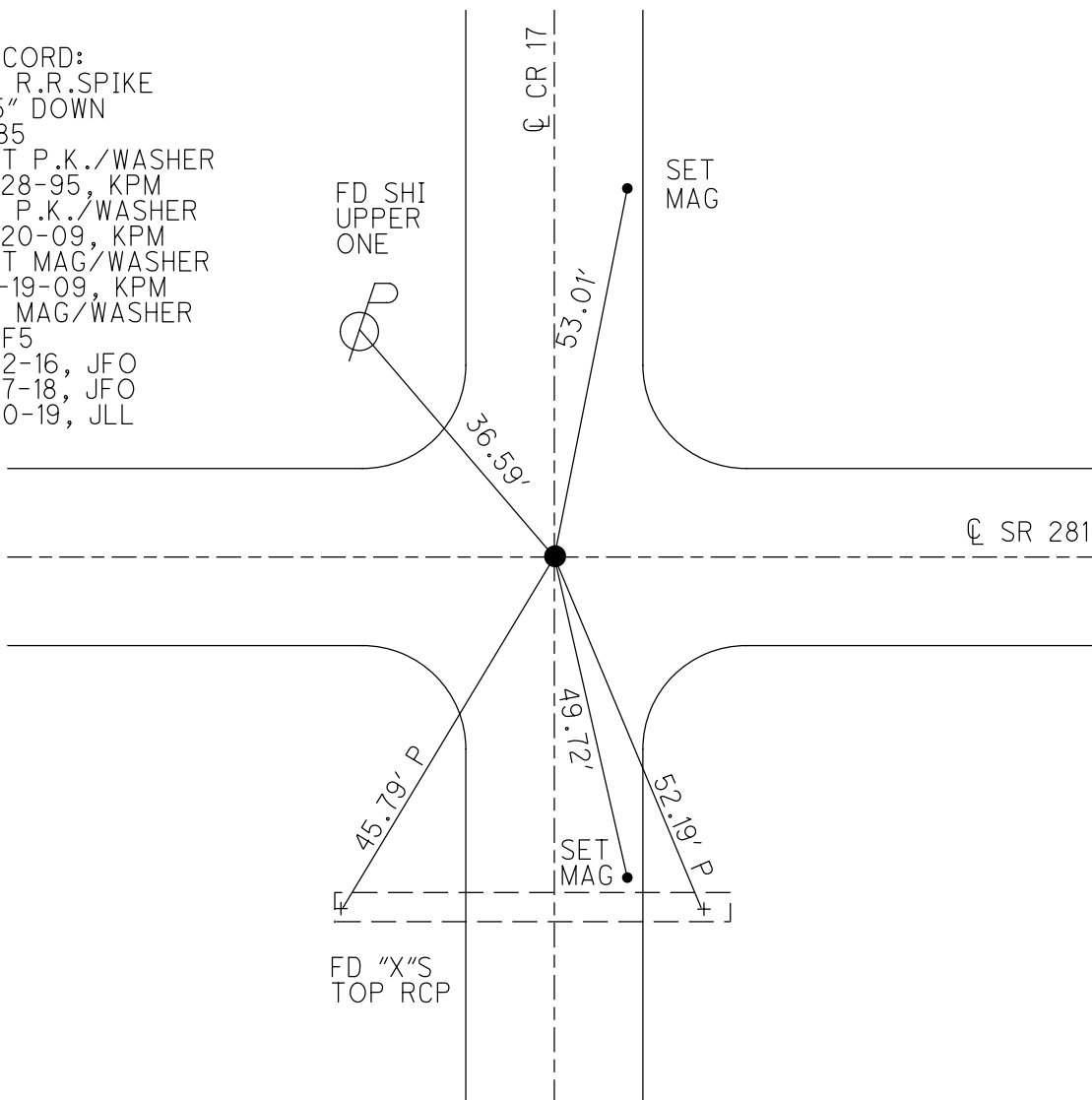
GEOID: NAVD88 2012A

GRID: NORTHING: 593056.696

EASTING: 1503820.722



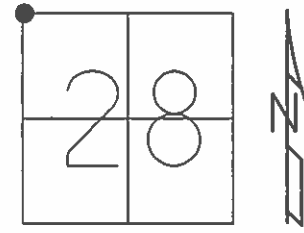
RECORD:
 FD R.R.SPIKE
 1.5" DOWN
 1985
 SET P.K./WASHER
 8-28-95, KPM
 FD P.K./WASHER
 8-20-09, KPM
 SET MAG/WASHER
 10-19-09, KPM
 FD MAG/WASHER
 REF5
 11-2-16, JFO
 6-7-18, JFO
 1-10-19, JLL



O.D.O.T. DISTRICT 2 SURVEY OFFICE (USE ONLY)

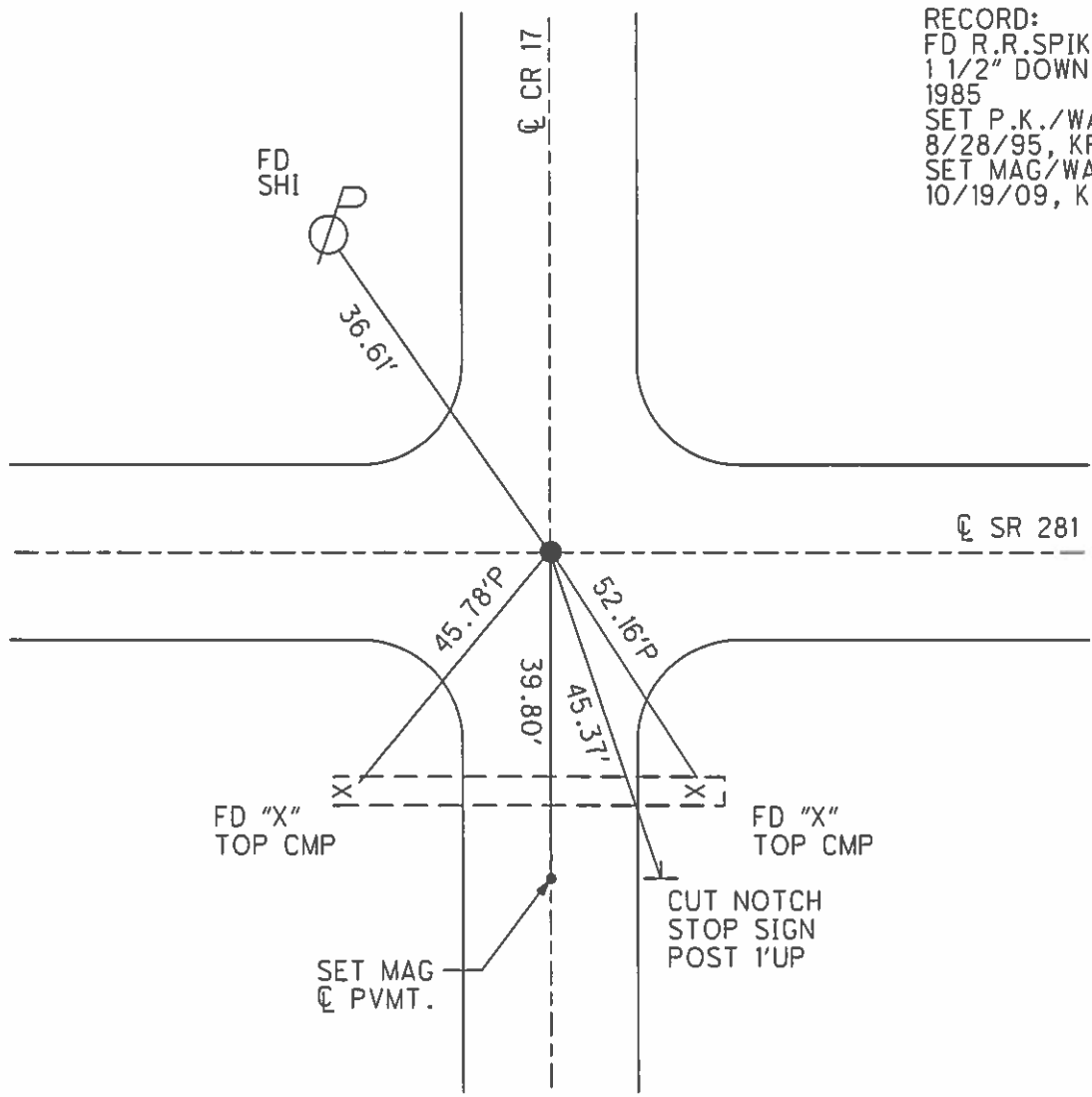
PERSONNEL	REFERENCE NO. <u>5</u>	SHEET <u>7</u> OF <u>14</u>
NOTES MOSER _____	DATE <u>8/20/09</u>	ROUTE <u>SR 28</u>
H.C. <u>GOLDBERG</u>	WEATHER <u>CLOUDY</u>	COUNTY <u>HENRY</u>
R.C. <u>MOSER</u>	TEMP. <u>80°</u>	TOWNSHIP <u>FLAT ROCK</u>
_____	_____	SECTION <u>29</u>
_____	_____	T <u>4</u> N R <u>6</u> E

TYPE MONUMENT P.K./WASHER
 ON SURFACE - ~~BELOW~~ ON
~~LEFT - C~~ PAV'T ~~= RIGHT~~ ON
9.8' TO LT EDGE PAVEMENT
 S.L.M. 100+55



GRID: NORTHING: 593056.637 EASTING: 15032820.652

RECORD:
 FD R.R.SPIKE
 1 1/2" DOWN
 1985
 SET P.K./WASHER
 8/28/95, KPM
 SET MAG/WASHER
 10/19/09, KPM



O.D.O.T. DISTRICT 2 SURVEY OFFICE

PERSONNEL

REFERENCE NO. 5

SHEET 6 OF 13

NOTES HUSS

H.C. VAN DUSEN

DATE 6-8-95

ROUTE S.R. 281

R.C. MOSEK

WEATHER CLOUDY

COUNTY HENRY

TEMP. +62°F

TOWNSHIP FLATROCK

SECTION 28

T4 N R 6 E

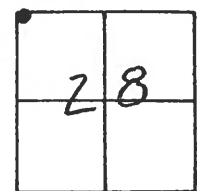
TYPE MONUMENT PK WASHER

ON SURFACE - ~~BELOW~~ YES

~~LEFT - & PAV'T. - RIGHT~~ YES

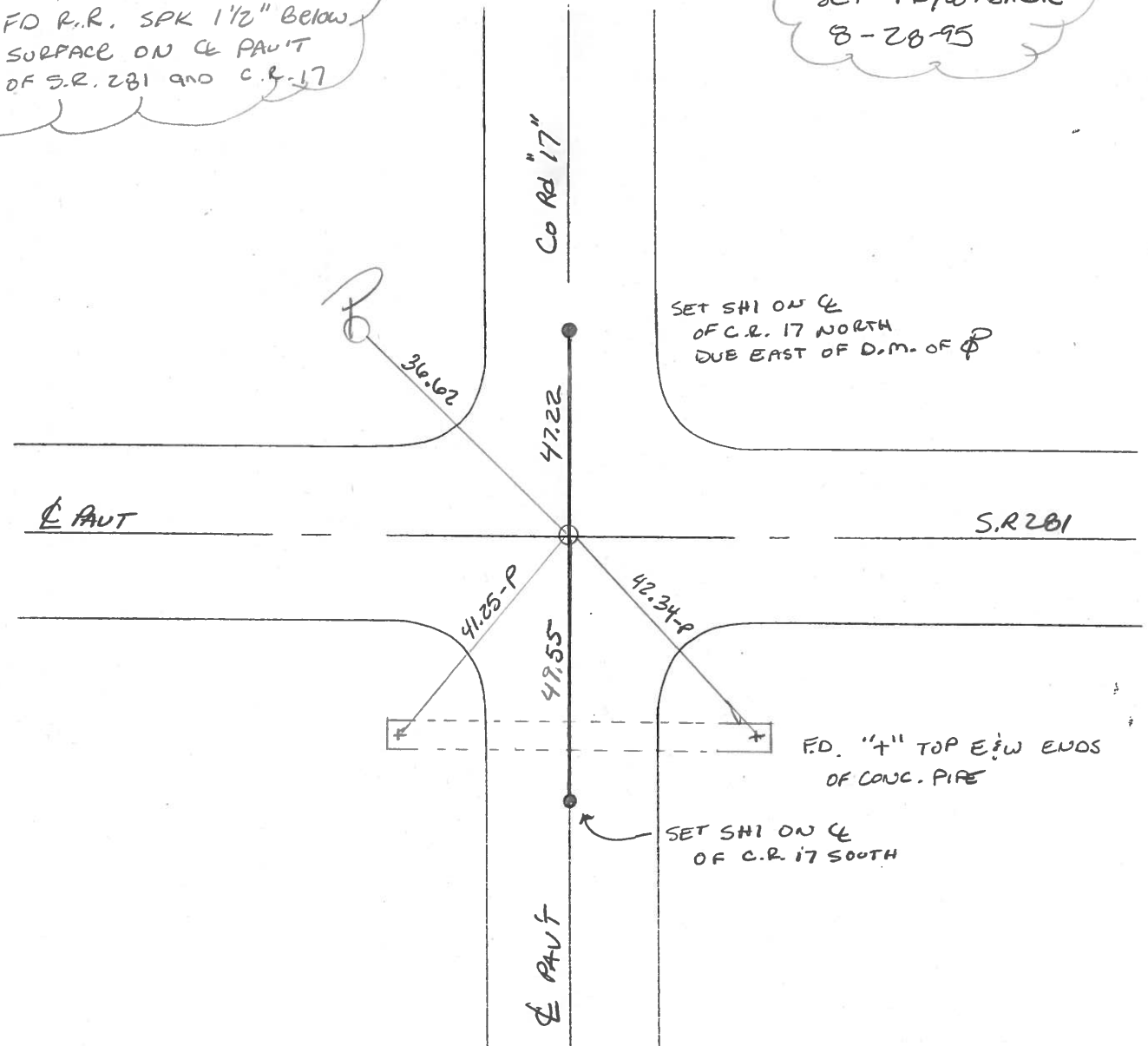
7.8' TO LT EDGE PAVEMENT

S.L.M. 100+55



Revised: 1985
 FD R.R. SPK 1 1/2" Below
 SURFACE ON & PAV'T
 OF S.R. 281 AND C.R. 17

SET PK/WASHER
 8-28-95



SET SHI ON &
 OF C.R. 17 NORTH
 DUE EAST OF D.M. OF P

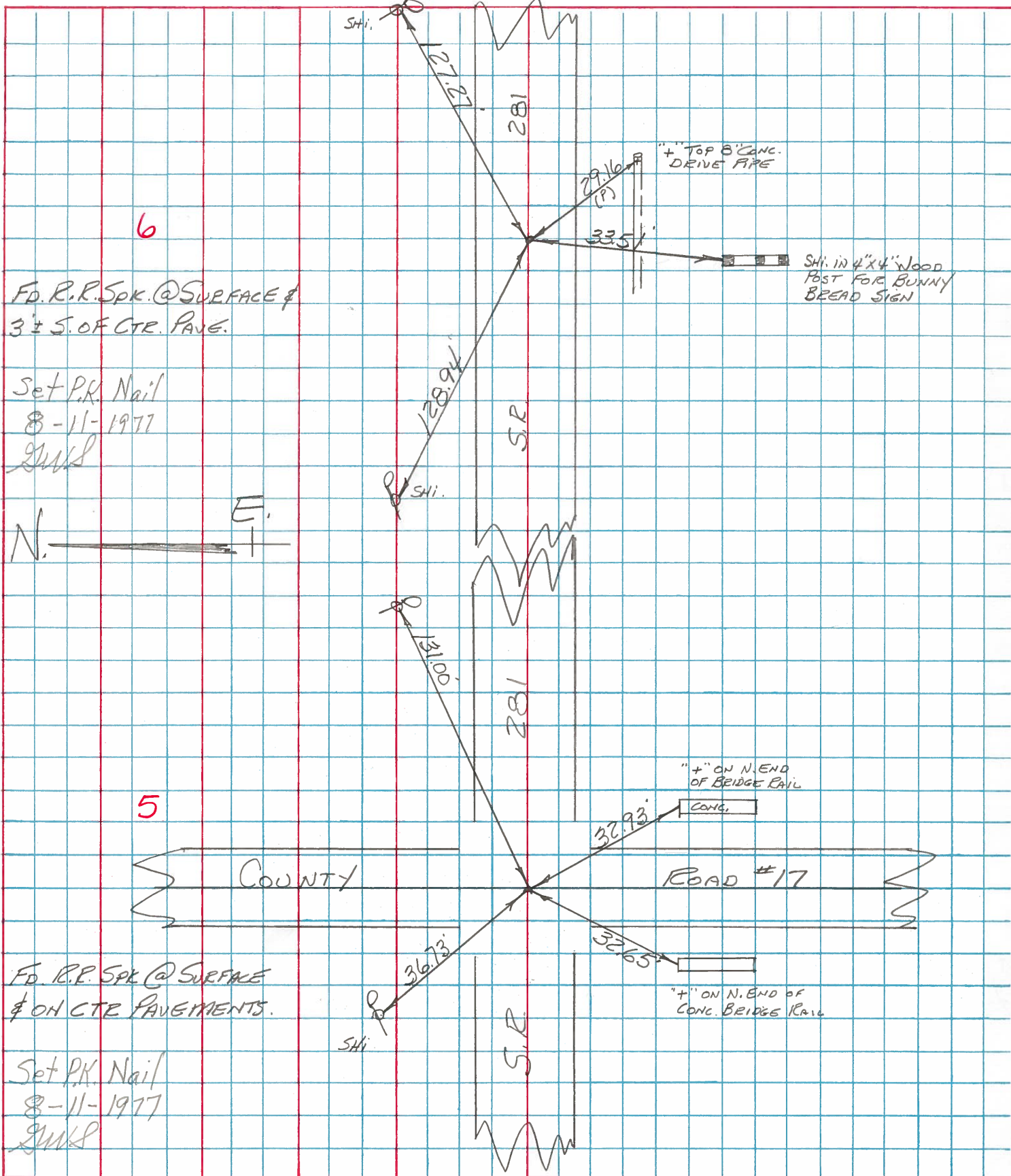
FD. "X" TOP E:W ENDS
 OF CONC. PIRE

SET SHI ON &
 OF C.R. 17 SOUTH

PERSONNEL TITLE PERSONNEL TITLE
BURNSIDE _____
SMITH _____
BOWERS _____

COUNTY HENRY DATE 6-23-77
 S. R. 281 WEATHER Pt. Cloudy
 SEC. _____ TEMP. +82°

DESCRIPTION LEFT CENTER LINE RIGHT JOB NO.



HENRY COUNTY ENGINEER'S OFFICE
CORNER STONE RECOVERY PROGRAM

Sht. 5 of 13
S.R. 281

TOWNSHIP FLATROCK

DATE OK-6-23-77 (STATE)
7-22-76

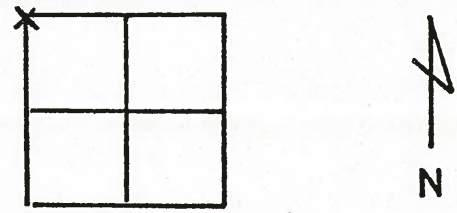
SECTION 28

WEATHER CLEAR & WARM

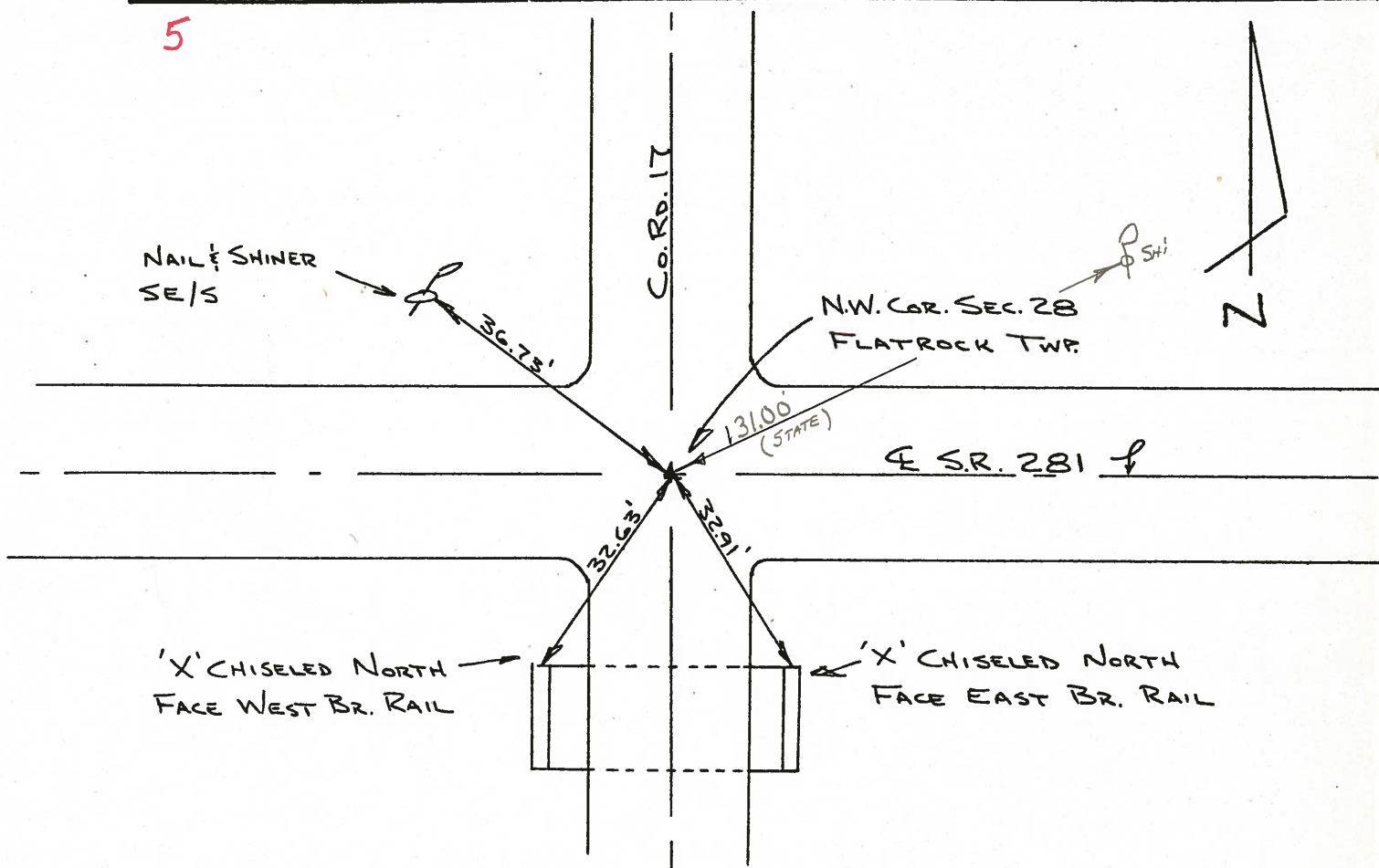
T4N, R6E

TEMP _____

PERSONNEL JG
BB
SS
MS



5



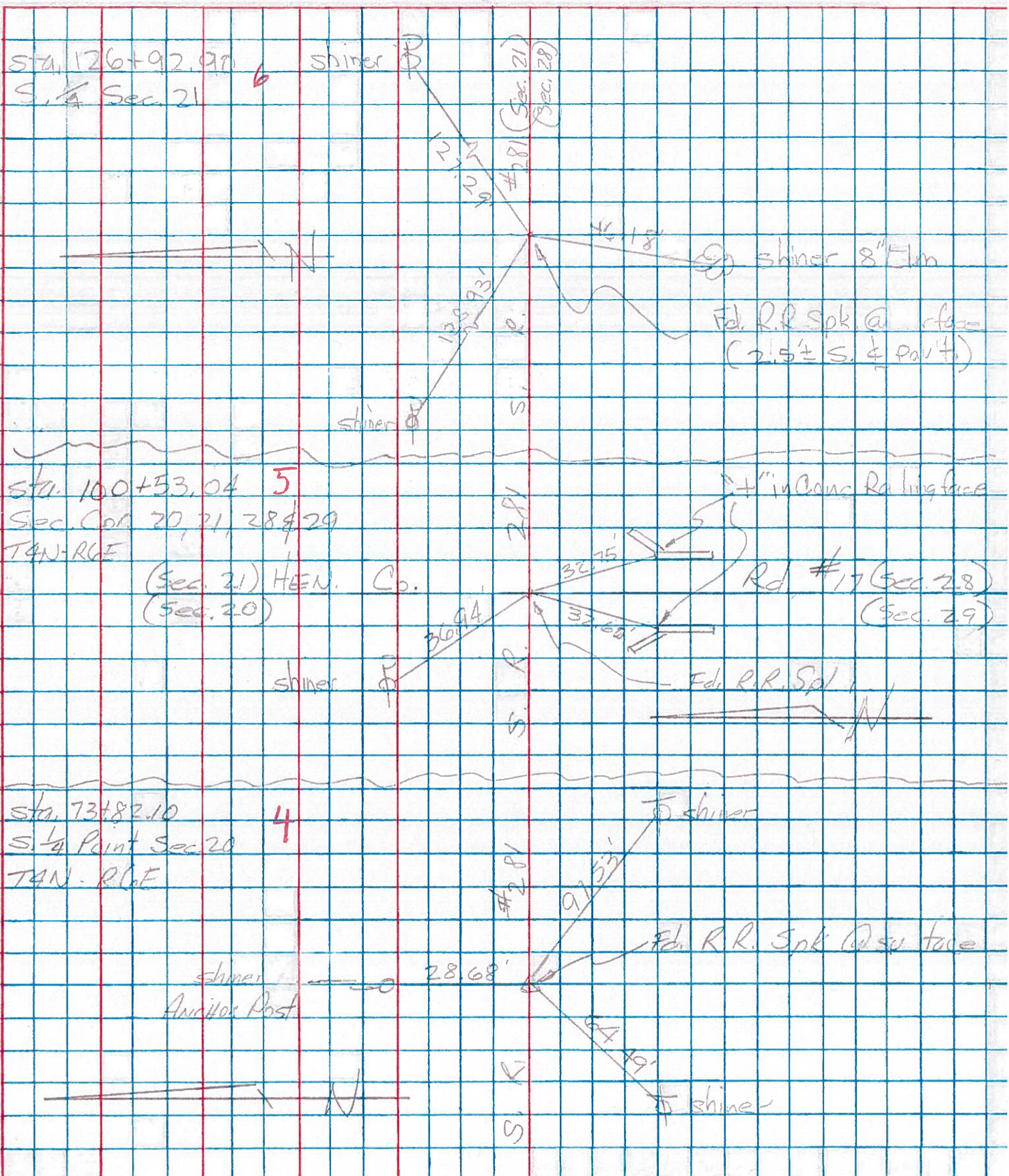
FOUND 2"x2"x17" LONG HUB ALONG SE/4 OF
STONE W/ RR. SPK. OVER IT. ALSO FOUND
4" VERTICLE TILE OVER STONE. STONE IS 22 1/2"
DEEP. PLACED CTR. PUNCHED R.R. SPK. DIRECTLY
OVER STONE. STONE IS ON E S.R. 281. ORIGINAL
R.R. SPK WAS 0.23' SE OF STONE. P.K.'S G'S & G'E.

SET P.K. NAIL
8-11-77

Copied:
Painted:

PERSONNEL	TITLE	PERSONNEL	TITLE	COUNTY	DATE	WEATHER	TEMP.
Tomasic				H	4		
Neuser							
Vanyo							
Grinata							

DESCRIPTION LEFT CENTER LINE RIGHT JOB NO.



PERSONNEL	TITLE	PERSONNEL	TITLE	COUNTY	DATE
Burnside				Henry	5-11-69
Smith				S. R. #281	WEATHER Cloudy
				SEC.	TEMP. 75°

DESCRIPTION	LEFT	CENTER LINE	RIGHT	JOB NO.
-------------	------	-------------	-------	---------

#4 S.E. Cor. Sec. 19
Flatrock Twp.
Co. Rd #18

③

Plumbed {
26.11' S.W. to "t" top of Bolt ctr. 84" c.m. p. x
29.59' N.W. to "t" top of Bolt ctr. 84" c.m. p. x
38.73' N.W. to Shi. P. Pole
63.63' E.S.E. to Shi. in T. Pole

#6 S.E. Cor. Sec. 20
Flatrock Twp.
Co. Rd #17

⑤

36.95' N.W. to Shi. in P. Pole
32.76' S.S.E. to "t" in N. End E. Br. Rail
32.58' S.S.W. to "t" in N. End W. Br. Rail.
32.35' S.E. to "t" on N.E. wing wall } P.H.
32.18' S.W. to "t" on N.W. wing wall }

#7 S/4 Cor. Sec. 21

⑥

57.37' S. to Shi. in 10" stump 3' high
127.30' E.N.E. to Shi. in P. Pole
25.53' N. to "t" in top E. end Dr. Pipe
128.87' W.N.W. to Shi. in P. Pole

PERSONNEL TITLE PERSONNEL TITLE

COUNTY Henry DATE 11-29-57

S. R. #281 WEATHER

SEC. "H" TEMP.

DESCRIPTION LEFT CENTER LINE RIGHT JOB NO.

#6	S. E. Cor. Sec. 20 Sta. 100+51.58 Stake in Tile Co. Rd. #17	Flatrock Twp. 5/11/64 (5)	36.65' N.W. To spk. in P. Pole 61.10' N.E. To spk. in 16" Hickory 32.40' S.E. To ⊗ on N.E. Wing 32.10' S.W. To ⊗ on N.W. Wing.
#7	1/4 Cor. Sec. 21 Sta. 126+92.90	5/11/64 (6)	29.96' S. To spk. in W. side Cor. Post 33.56' S.E. To Sign Post on fence line 44.90' S.W. To Iron Pin 25.50' N.W. To Hole Ctr. Top of Drive Pipe E. side C.M.P. 31.18' N.E. To iron sign Post.
#8	S.E. Cor. Sec. 21 Sta. 153+21.95 Stone 4" under Surface Twp. Rd. #16	5/11/64 (7)	38.30' N.W. To Ctr. 1" Iron Pipe 27.87' S.E. To Reinforcing rod in Wingwall 28.97' S.W. To ⊗ in Wingwall 59.57' S.E. To shi. in P. Pole 39.95' S.W. To shi. in P. Pole 38.42' N.W. To shi. in P. Pole 48.42' N.E. To shi. in T. Pole
#9	1/4 stone Sec. 22 Sta. 179+63.70' 4' N. of S. edge part 5/11/64	(8)	73.50' ^{44'} N.E. ⊗ W. end Cor. Metal DR. 29.18' N.N.W. To shi. in T. Pole 26.45' S. To spk. in Cor. Post 33.89' S.E. To iron sign Post
#10	S.E. Cor. Sec. 22 Sta. 206+07.52 Stone No Pin Twp. Rd. #15 5/11/64	(9)	59.78' N.E. To spk. in P. Pole 63.80' N.W. To Shiner in T. Pole 18.92' S.E. To face broken off Rail Pipe 23.74' S.E.S. To Near side Rail Pipe 15.85' S.W. To Near side Rail Pipe 24.57' S.S.W. To "+" in S. end W. Hdwl.