

O.D.O.T. DISTRICT 2 SURVEY OFFICE (USE ONLY)

PERSONNEL _____ REFERENCE NO. 8 SHEET 12 OF 20
 NOTES HAGEMEYER DATE 6-7-18 ROUTE SR 281
 H.C. LEU WEATHER CLOUDY COUNTY HENRY
 R.C. HAGEMEYER TEMP. 68° TOWNSHIP FLAT ROCK
 _____ SECTION 27
 DWG BY JAMES PID 102763 T 4 N R 6 E

TYPE MONUMENT MAG/WASHER

ON SURFACE - ~~BELOW~~ ON

OFFSET \odot PAVEMENT 5' ~~LT~~ : RT

4.8' TO RT EDGE PAVEMENT

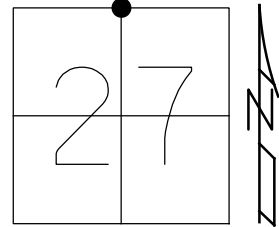
STATION: 179+70.17

HORZ. DATUM: NAD83 2011

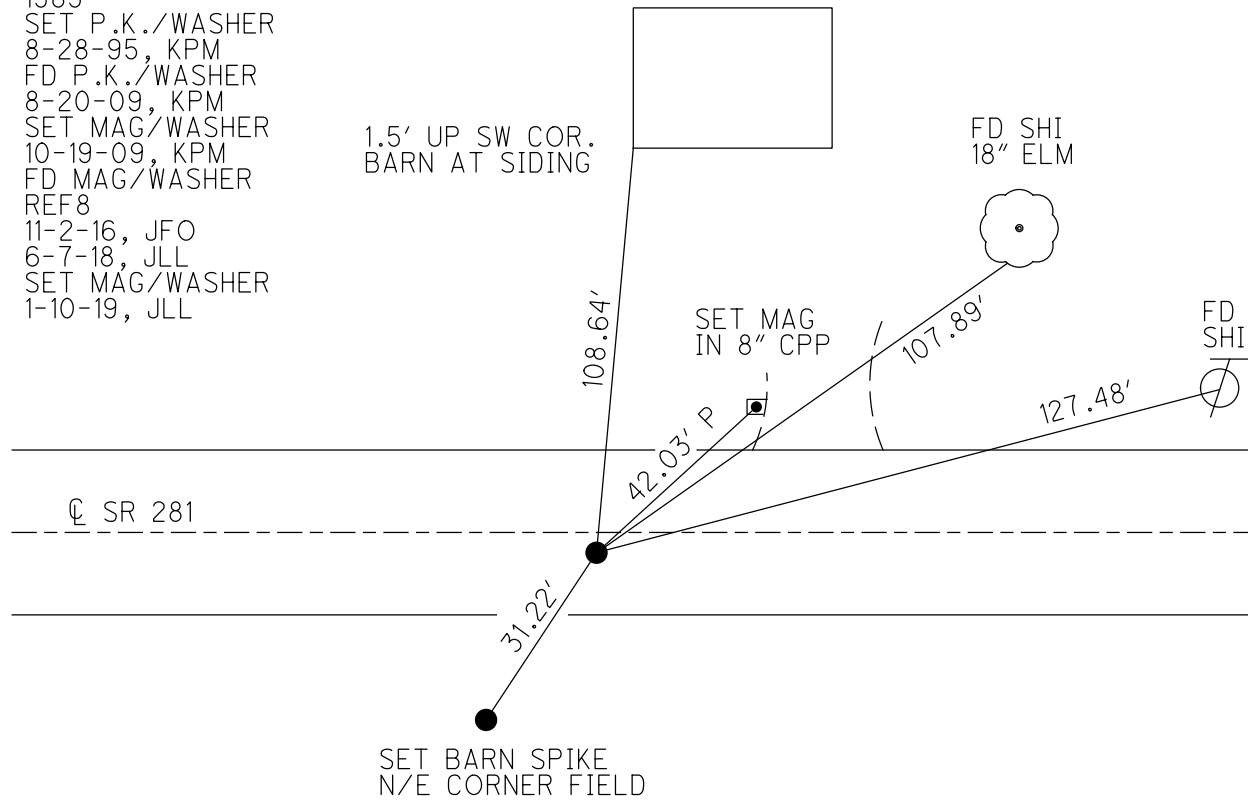
GEOID: NAVD88 2012A

GRID: NORTHING: 593009.989

EASTING: 1511730.975



RECORD:
 FD P.K./WASHER
 1985
 SET P.K./WASHER
 8-28-95, KPM
 FD P.K./WASHER
 8-20-09, KPM
 SET MAG/WASHER
 10-19-09, KPM
 FD MAG/WASHER
 REF8
 11-2-16, JFO
 6-7-18, JLL
 SET MAG/WASHER
 1-10-19, JLL



O.D.O.T. DISTRICT 2 SURVEY OFFICE (USE ONLY)

PERSONNEL

REFERENCE NO. 8

SHEET 10 OF 14

NOTES MOSER

DATE 8/20/09

ROUTE SR 281

H.C. GOLDBERG

WEATHER CLOUDY

COUNTY HENRY

R.C. MOSER

TEMP. 80°

TOWNSHIP FLAT ROCK

SECTION 27

T 4 N R 6 E

TYPE MONUMENT P.K./WASHER

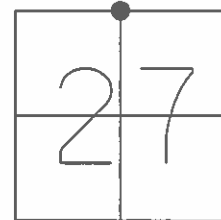
ON SURFACE - ~~BELOW~~ ON

~~LEFT~~ - CL PAV'T - RIGHT 5.2'

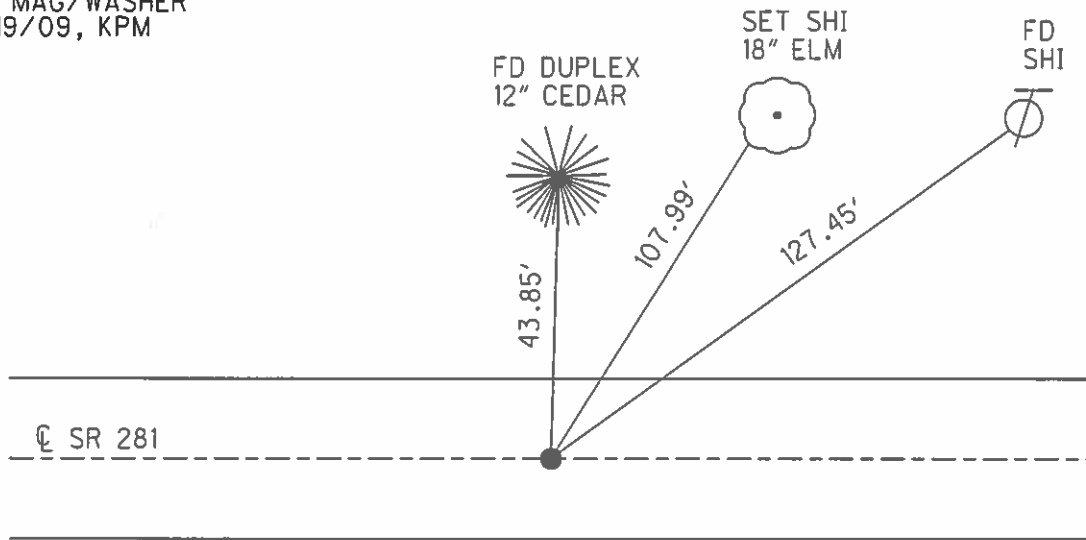
4.8' TO RT EDGE PAVEMENT

S.L.M. 179+66

GRID: NORTHING: 593010.025 EASTING: 1511730.900



RECORD:
FD P.K./WASHER
1985
SET P.K./WASHER
8/28/95, KPM
SET MAG/WASHER
10/19/09, KPM



O.D.O.T. DISTRICT 2 SURVEY OFFICE

PERSONNEL

REFERENCE NO. 8

SHEET 9 OF 13

NOTES HUSS

H.C. YAW DUSEN

DATE 10-12-95

ROUTE S. R. 281

R.C. MOSEK

WEATHER CLOUDY

COUNTY HENRY

TEMP. +62°F

TOWNSHIP FLATROCK

SECTION 27

T 4 N R 6 E

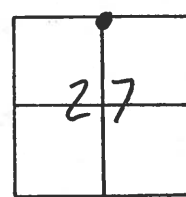
TYPE MONUMENT PK/WASHER

ON SURFACE - ~~BELOW~~ YES

~~LEFT - C PAV'T.~~ - RIGHT 5.0' RT

4.9 TO RT EDGE PAVEMENT

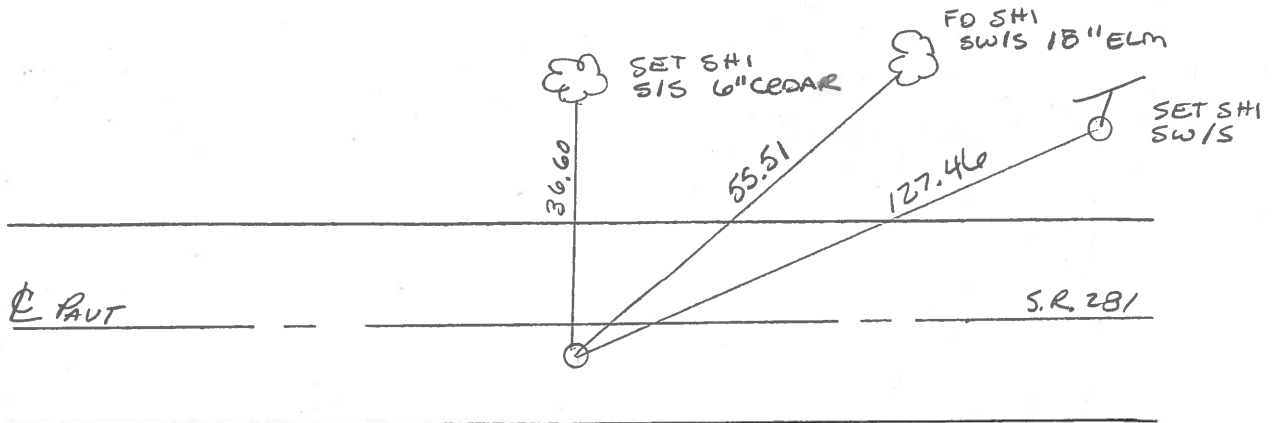
S.L.M. 179+69



RECORD 1985

FD PK/WASHER @ SURFACE

SET PK/WASHER
8-28-95



County HENRY S.R. 281

Date 4-15-85

Township FLATROCK

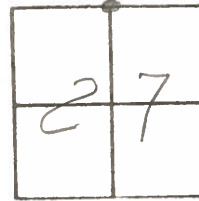
Weather Clear

Section 27

Temp. 70°

T4N, R6E

Personnel Loffman P.C.
BARNHISEL H.C.

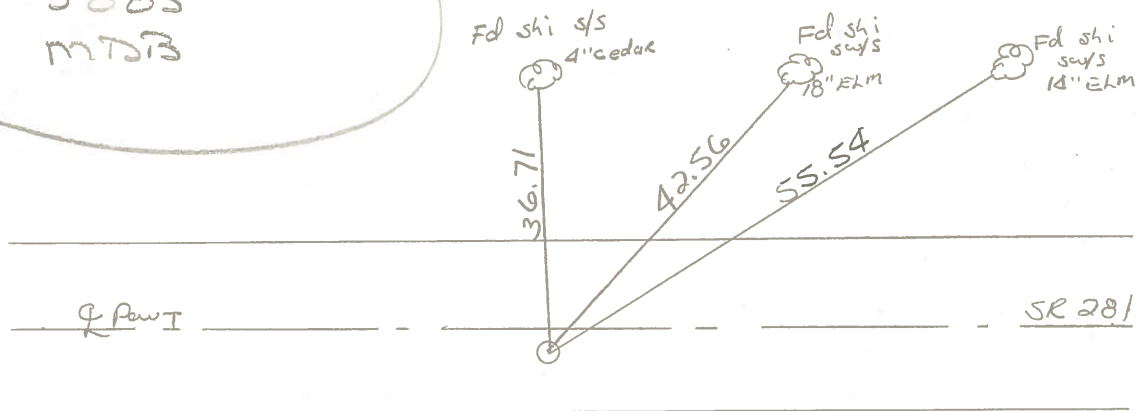


#8

Fd PK/WASHER @ surface
5.2' RT. of & Part SR 281
4.8' TO RT. EP.

SLM = 179+59

Set PK/WASHER
5-8-85
MDSB



O.D.O.T. DISTRICT 2 SURVEY OFFICE

PERSONNEL

REFERENCE NO. 8

SHEET 8 OF 13

NOTES HOFFMAN

H.C. HOUSEHOLDER

DATE 10-19-84

ROUTE SR-281

R.C. BARNHISEL

WEATHER _____

COUNTY HENRY

TEMP. _____

TOWNSHIP FLATROCK

SECTION 27

T.4 N. R. 6 E

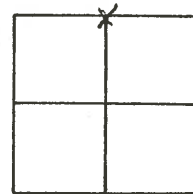
TYPE MONUMENT STONE

ON-SURFACE - BELOW 15"

LEFT- & PAV'T. - RIGHT 5'

TO EDGE PAVEMENT

S.L.M. 179+69



SET P.K./WASHER

10-19-84

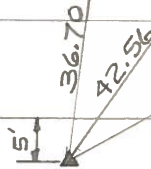
SWH



SET SHI
4" CEDAR

18" ELM
SET SHI
SW/S

14" ELM
SET SHI SW/S

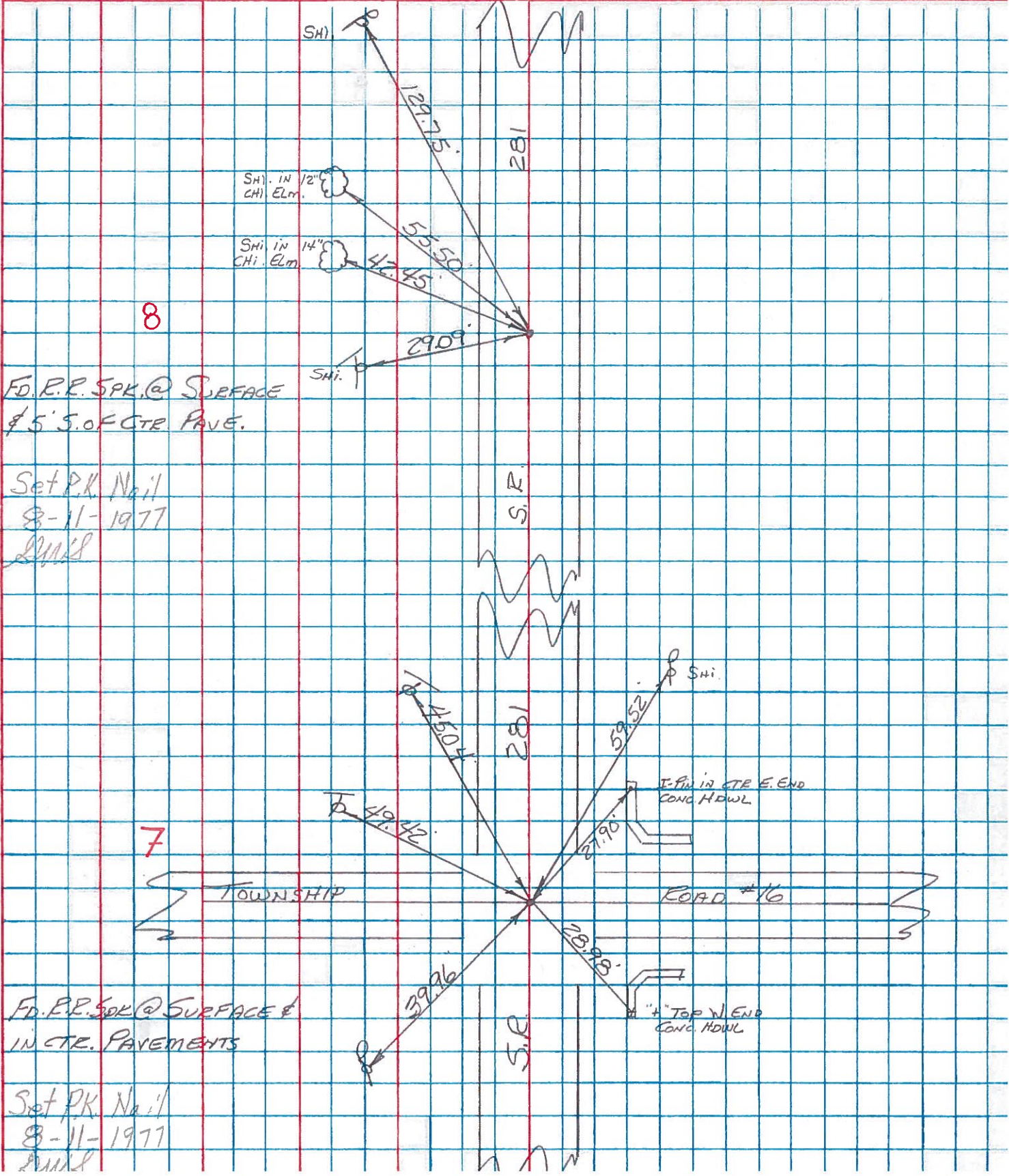


& S.R. 281

FOUND R.R. SPK. OVER STONE. STONE IS
15" DEEP. REPLACED CTR. PUNCHED RR. SPK
OVER STONE. STONE IS 5' SOUTH & SR 281
7-23-76

PERSONNEL	TITLE	PERSONNEL	TITLE	COUNTY	<u>HENRY</u>	DATE	<u>6-23-77</u>
<u>BURNSIDE</u>				S. R.	<u>281</u>	WEATHER	<u>CLOUDY</u>
<u>SMITH</u>				SEC.		TEMP.	<u>+74°</u>
<u>BOWERS</u>							
<u>MEAD</u>							

DESCRIPTION	LEFT	CENTER LINE	RIGHT	JOB NO.
-------------	------	-------------	-------	---------



HENRY COUNTY ENGINEER'S OFFICE CORNER STONE RECOVERY PROGRAM

Sht. 8 of 13
S.R. 281

TOWNSHIP FLATROCK

DATE OK-6-23-77-STATE
7-23-76

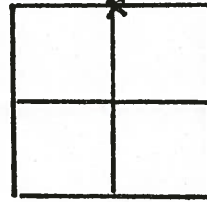
SECTION 27

WEATHER CLEAR & WARM

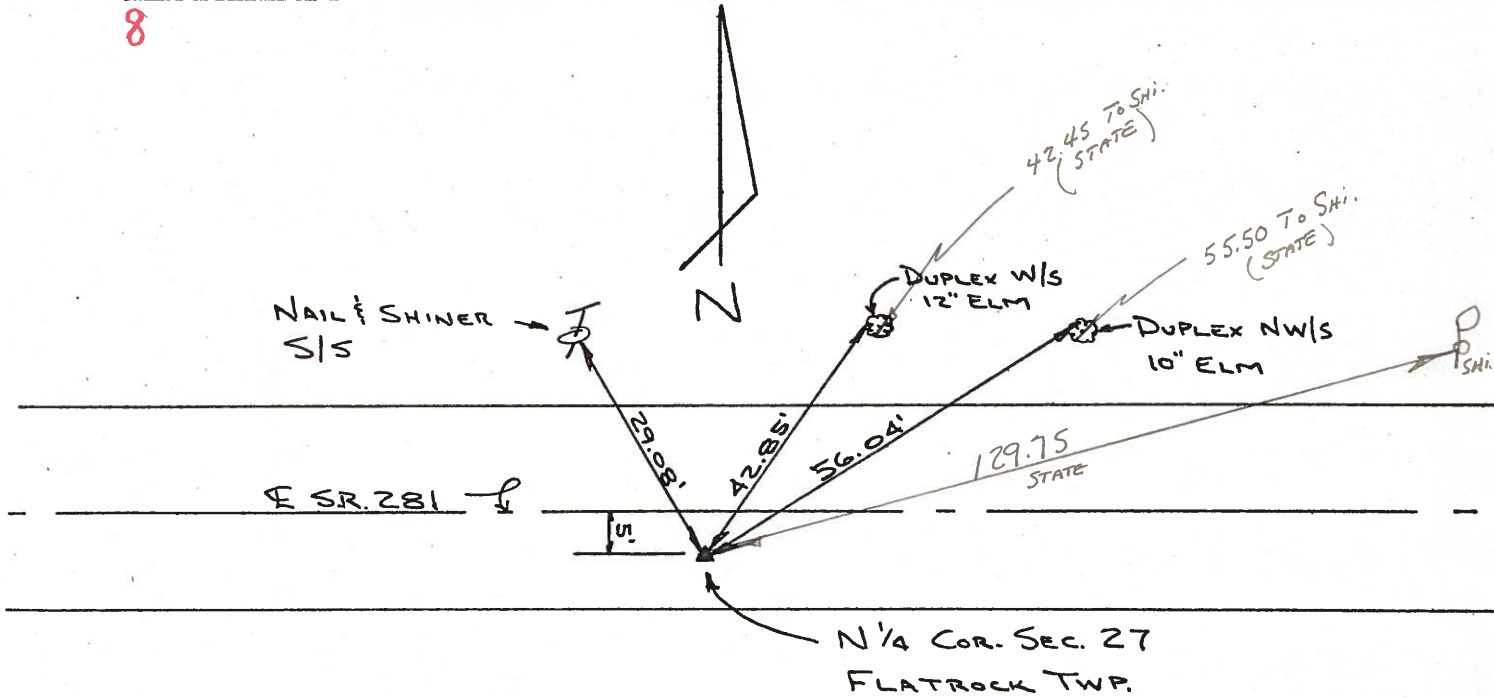
T4N, R6E

TEMP _____

PERSONNEL JG
BB
SS
MS



8



FOUND R.R. SPK. OVER STONE. STONE IS 15" DEEP. REPLACED CTR. PUNCHED R.R. SPK. OVER STONE. STONE IS 5' SOUTH OF F.S.R. 281 P.K.'S 6'N. & 6'W.

SET P.K. NAIL
8-11-77

Copied:
Painted:

PERSONNEL TITLE PERSONNEL TITLE

COUNTY Henry

DATE 11-29-57

S. R. # 781

WEATHER

SEC. "H"

TEMP.

DESCRIPTION

LEFT

CENTER LINE

RIGHT

JOB NO.

#6	S.E. COR. Sec. 20 Sta. 100+51.58 Stake in Tile Co. Rd. #17	Flatrock Twp. 5/11/64 (5)	36.65' N.W. To spk. in P. Pole 61.10' N.E. To spk. in 16" Hickory 32.40' S.E. To ⊗ on N.E. Wing 32.10' S.W. To ⊗ on N.W. Wing.
#7	1/4 COR. Sec. 21 Sta. 126+92.90	5/11/64 (6)	29.96' S. To spk. in W. side Cor. Post 33.56' S.E. To Sign Post on fence line 44.90' S.W. To Iron Pin 25.50' N.W. To Hole ctr. Top of Drive Pipe E. side C.M.P. 31.18' N.E. To iron sign Post.
#8	S.E. COR. Sec. 21 Sta. 153+21.95 stone 4" under surface Twp. Rd. #16	5/11/64 (7)	38.30' N.W. To ctr. 1" iron Pipe 27.87' S.E. To Reinforcing rod in wingwall 28.97' S.W. To ⊗ in wing wall 57.66' S.E. To shi. in P. Pole 39.95' N.W. To shi. in P. Pole 48.42' N.E. To shi. in T. Pole
#9	1/4 stone Sec. 22 Sta. 178+63.70' 4' N. of S. edge pavt 5/11/64	(8)	44' plumbed 73.56' N.E. ⊗ W. end Cor. Metal/Dk Pipe 29.18' N.N.W. To shi. in T. Pole 26.45' S. To spk. in Cor. Post 33.89' S.E. To iron sign Post
#10	S.E. COR. Sec. 22 Sta. 206+07.52 Stone No Pin Twp. Rd. #15 5/11/64	(9)	59.78' N.E. To spk. in P. Pole 63.80' N.W. To shi. in T. Pole 18.92' S.E. To face broken off Rail Pipe 23.74' S.E.S. To Near side Rail P. 15.85' S.W. To Near side Rail P. 24.57' S.S.W. To "t" in S. end W. Hdwr