

O.D.O.T. DISTRICT 2 SURVEY OFFICE (USE ONLY)

PERSONNEL \_\_\_\_\_ REFERENCE NO. 12 SHEET 16 OF 20  
 NOTES HAGEMEYER DATE 6-7-18 ROUTE SR 281  
 H.C. LEU WEATHER CLOUDY COUNTY HENRY  
 R.C. HAGEMEYER TEMP. 63° TOWNSHIP FLAT ROCK  
 \_\_\_\_\_ SECTION 25  
 DWG BY JAMES PID 102763 T 4 N R 6 E

TYPE MONUMENT MAG/WASHER

ON SURFACE - ~~BELOW~~ ON \_\_\_\_\_

OFFSET CL PAVEMENT 1.4' ~~RT~~ : RT

8.6' TO RT EDGE PAVEMENT

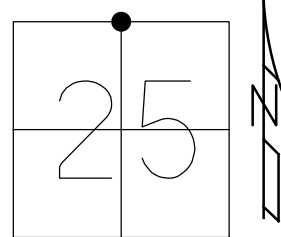
STATION: 285+00.24

HORZ. DATUM: NAD83 2011

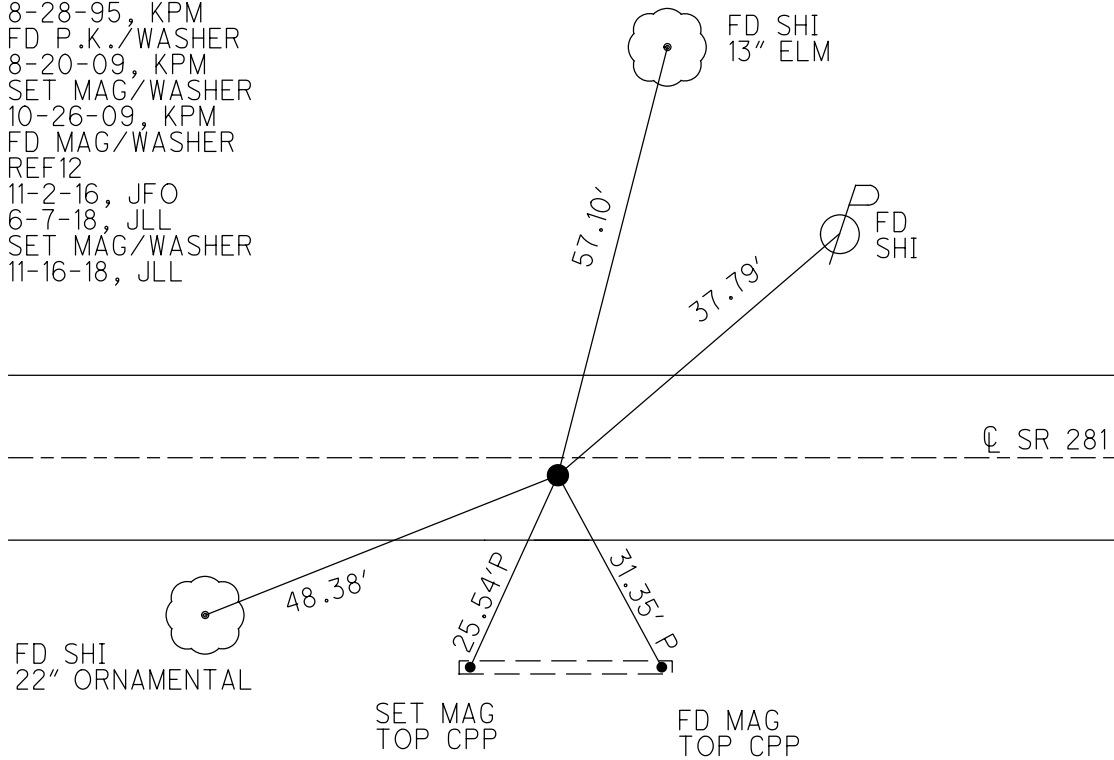
GEOID: NAVD88 2012A

GRID: NORTHING: 592915.493

EASTING: 1522260.506



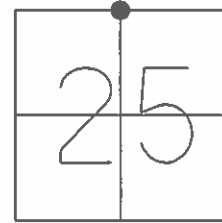
RECORD:  
 FD P.K./WASHER  
 1985  
 SET P.K./WASHER  
 8-28-95, KPM  
 FD P.K./WASHER  
 8-20-09, KPM  
 SET MAG/WASHER  
 10-26-09, KPM  
 FD MAG/WASHER  
 REF12  
 11-2-16, JFO  
 6-7-18, JLL  
 SET MAG/WASHER  
 11-16-18, JLL



O.D.O.T. DISTRICT 2 SURVEY OFFICE (USE ONLY)

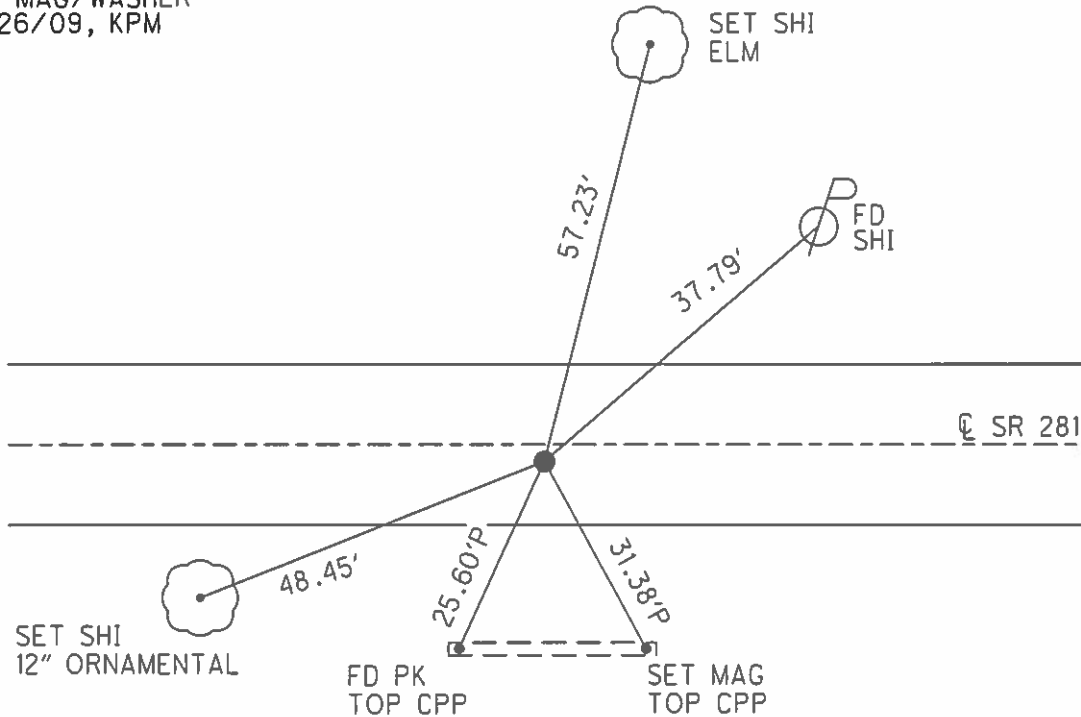
PERSONNEL	REFERENCE NO. <u>12</u>	SHEET <u>14</u> OF <u>14</u>
NOTES <u>MOSER</u>	DATE <u>8/20/09</u>	ROUTE <u>SR 281</u>
H.C. <u>GOLDBERG</u>	WEATHER <u>CLOUDY</u>	COUNTY <u>HENRY</u>
R.C. <u>MOSER</u>	TEMP. <u>80°</u>	TOWNSHIP <u>FLAT ROCK</u>
		SECTION <u>25</u>
		T <u>4</u> N R <u>6</u> E

TYPE MONUMENT P.K./WASHER  
 ON SURFACE - ~~BELOW~~ ON  
~~LEFT = C~~ PAV'T - RIGHT 1.4'  
8.6' TO RT EDGE PAVEMENT  
 S.L.M. 284+96



GRID: NORTHING: 592915.515 EASTING: 1522260.458

RECORD:  
 FD P.K./WASHER  
 1985  
 SET P.K./WASHER  
 8/28/95, KPM  
 SET MAG/WASHER  
 10/26/09, KPM



O.D.O.T. DISTRICT 2 SURVEY OFFICE

PERSONNEL \_\_\_\_\_

REFERENCE NO. 12

SHEET 13 OF 13

NOTES Huss

H.C. Vau Dusen

DATE 10-13-95

ROUTE S.R. 281

R.C. Rousos

WEATHER SUNNY

COUNTY HENRY

TEMP. +70°F

TOWNSHIP FLATROCK

SECTION 25

T 4 N R 6 E

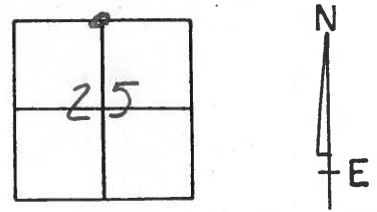
TYPE MONUMENT PK/WASHER

ON SURFACE - ~~BELOW~~ YES

~~LEFT - C PAV'T.~~ - RIGHT 1.4' RT

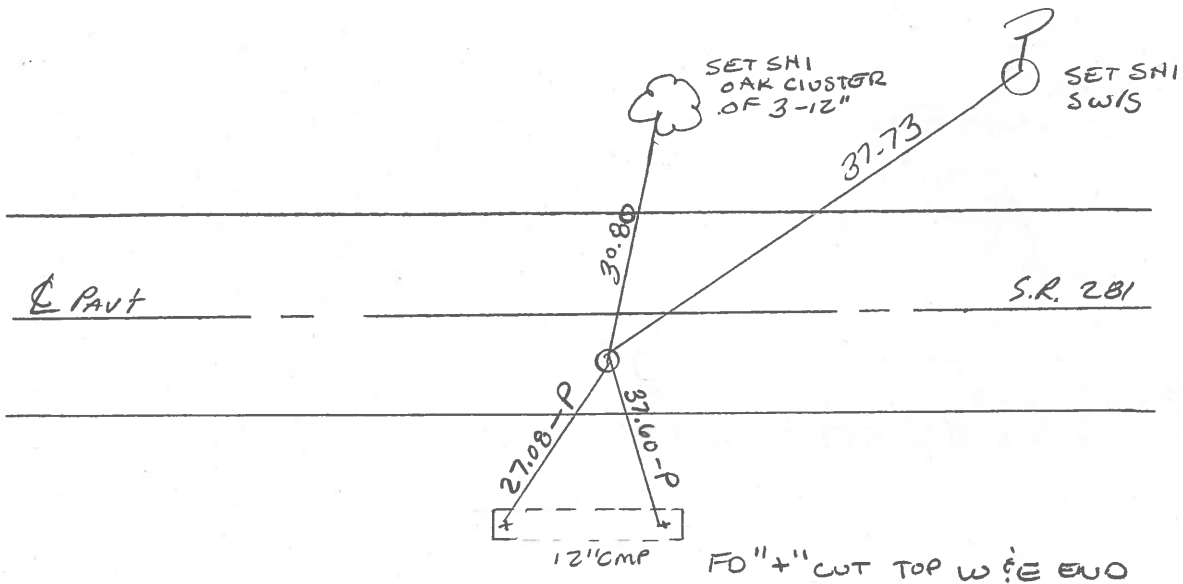
8.7 TO RT EDGE PAVEMENT

S.L.M. 285+07



RECORD 1985  
FO PK @ SURFACE

SET PK/WASHER  
8-28-95



County HENRY S.R. 281

Township FLATROCK

Section 25

T4N, R4E

Personnel Hoffman AB

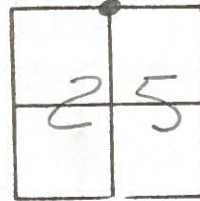
LOEHRKE R.C.

BARNHISEL H.C.

Date 4-16-85

Weather Clear

Temp. 60°

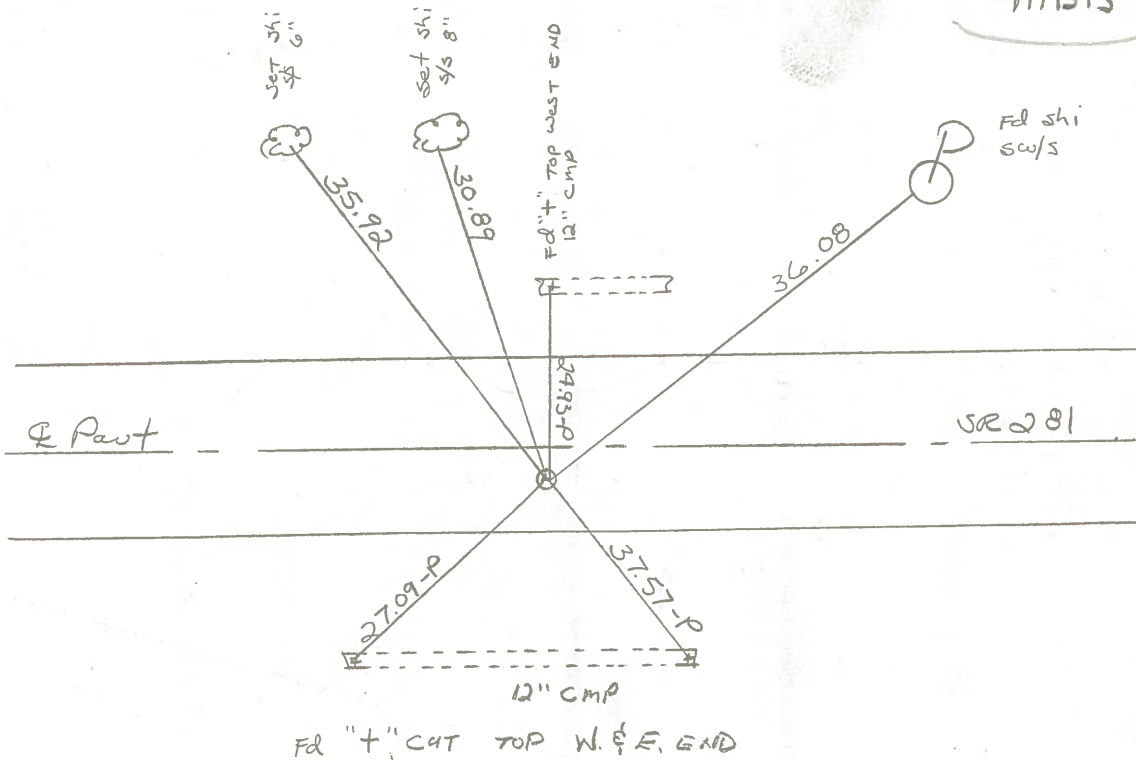


#12

Fd P.K. @ surface  
1.2' RT. of  $\phi$  Post  
8.3' TO RT. EP.

SLM = 284 + 85

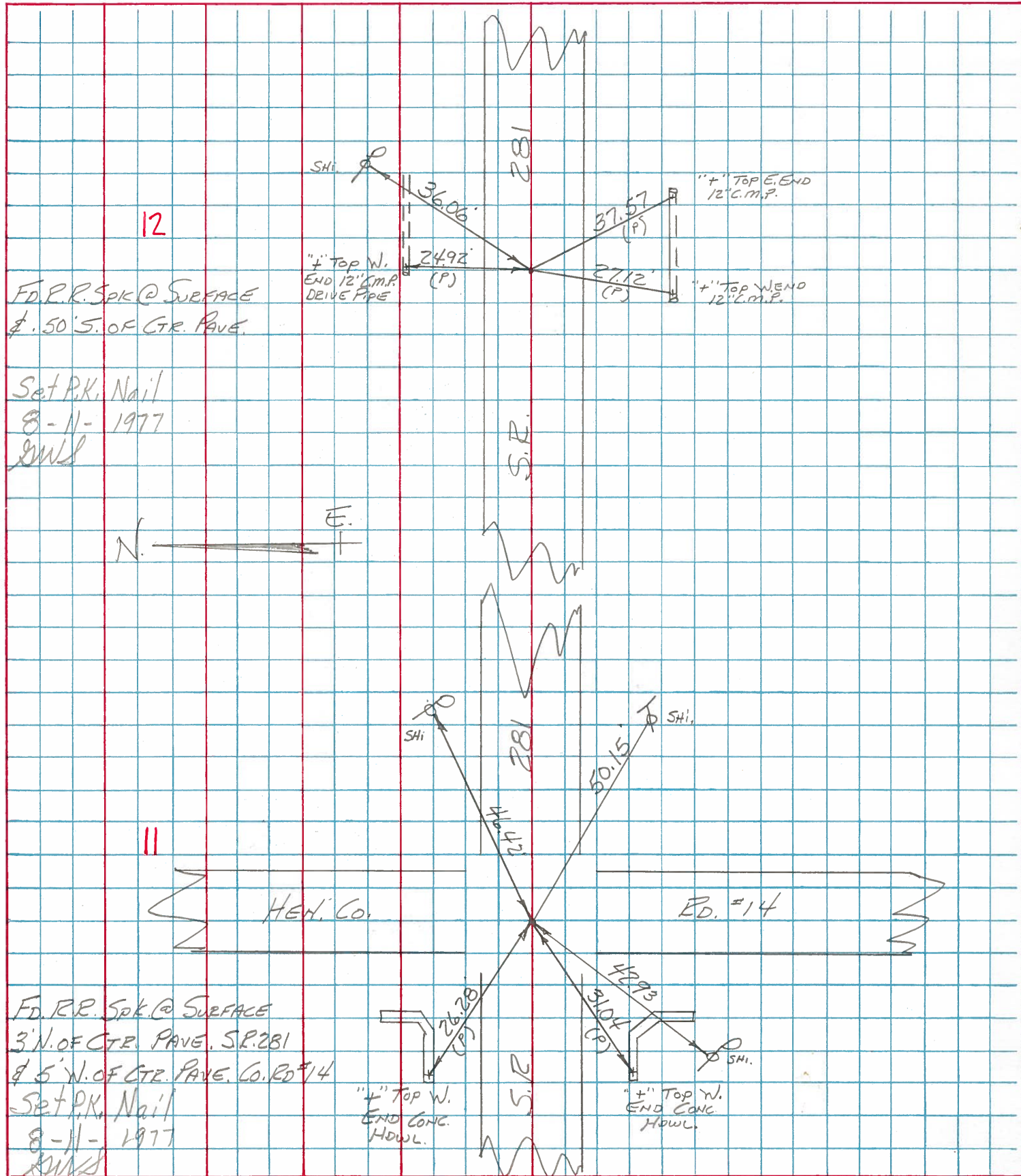
Set PK/WASHER  
5-8-85  
MD3



PERSONNEL	TITLE	PERSONNEL	TITLE
BURNSIDE			
SMITH			
BOWERS			
MEAD			

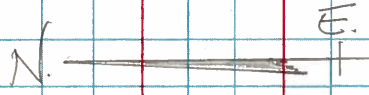
COUNTY HENRY DATE 6-24-77  
 S. R. 281 WEATHER CLOUDY  
 SEC. \_\_\_\_\_ TEMP. +72°

DESCRIPTION \_\_\_\_\_ LEFT \_\_\_\_\_ CENTER LINE \_\_\_\_\_ RIGHT \_\_\_\_\_ JOB NO. \_\_\_\_\_



12  
 FD. R.R. SPK @ SURFACE  
 1/2 .50' S. OF CTR. PAVE.

Set P.K. Nail  
 8-11-1977  
 JWS



11  
 FD. R.R. SPK @ SURFACE  
 3' N. OF CTR. PAVE. S.R. 281  
 1/2 5' N. OF CTR. PAVE. CO. RD #14  
 Set P.K. Nail  
 8-11-1977  
 JWS

"+" TOP W.  
 END CONC.  
 HOWL.

"+" TOP W.  
 END CONC.  
 HOWL.

# HENRY COUNTY ENGINEER'S OFFICE CORNER STONE RECOVERY PROGRAM

Sht. 12 of 13  
SR. 281

TOWNSHIP FLATROCK

DATE OK. 6-24-77 - STATE  
7-26-76

SECTION 25

WEATHER CLEAR & WARM

T4N, R6E

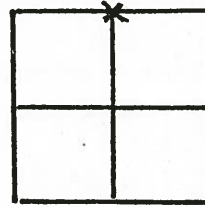
TEMP \_\_\_\_\_

PERSONNEL JG

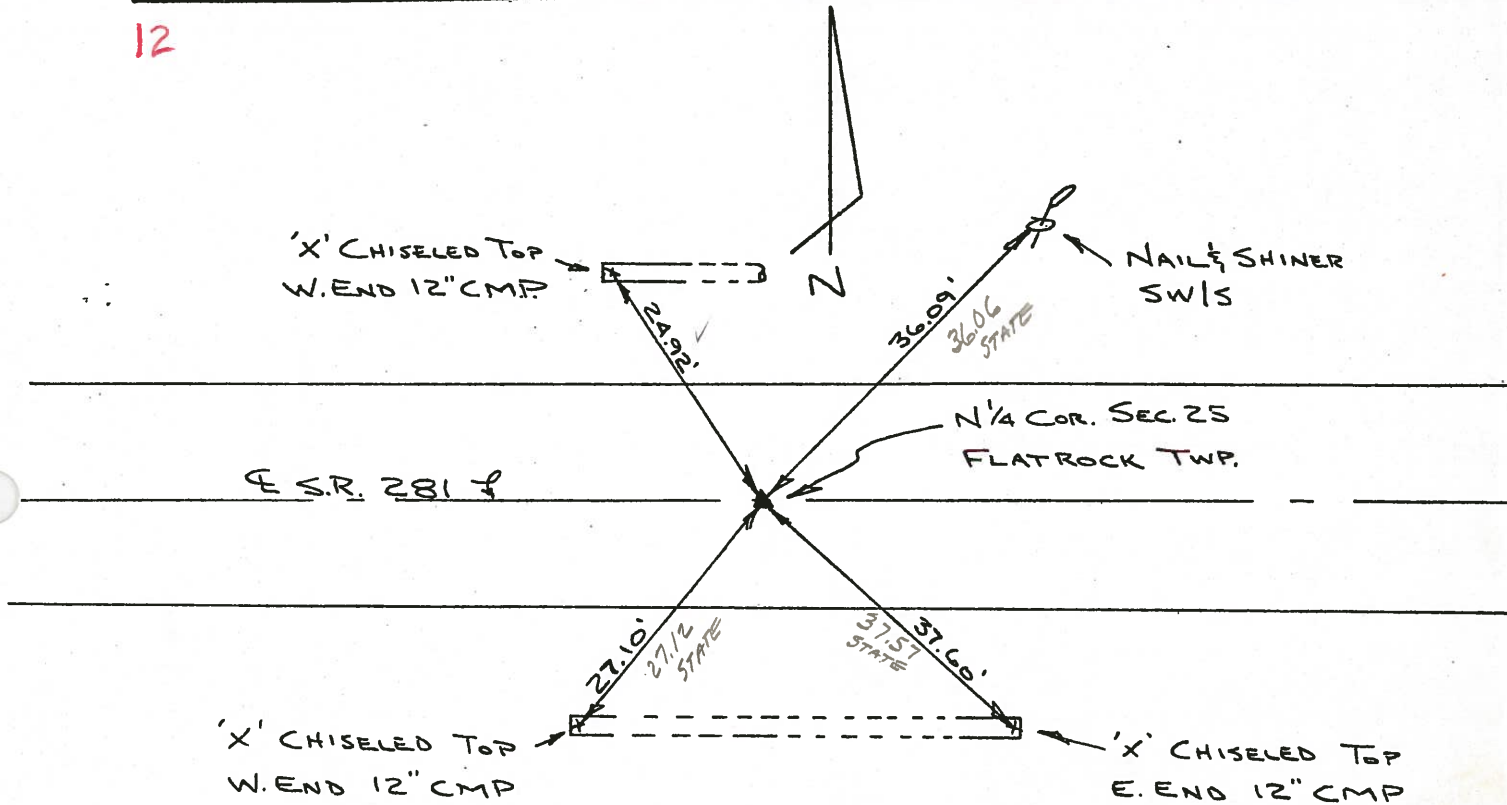
BB

MS

SS



12



FOUND R.R. SPK. OVER HUB OVER STONE.  
STONE IS 21" DEEP. REPLACED CTR. PUNCHED  
R.R. SPK. OVER STONE. STONE IS ON E  
S.R. 281 P.K.'s G'E & G'S.

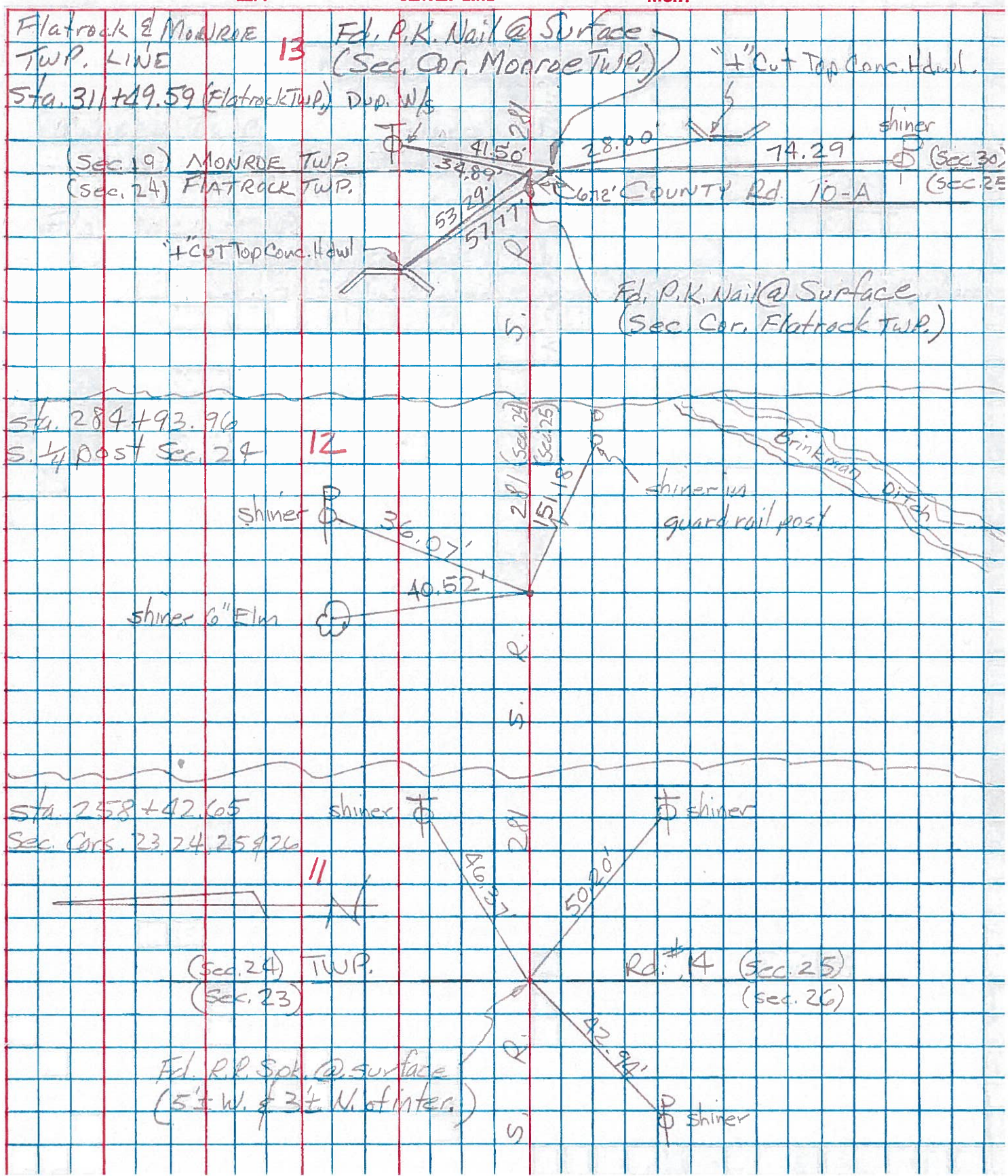
SET P.K. NAIL  
8-11-77

Copied:  
Painted:



PERSONNEL	TITLE	PERSONNEL	TITLE	COUNTY	DATE
Tomsic				HENRY	Nov. 8, 1974
Neuser				S. R. 281	WEATHER
Vandy				SEC. Flatrock Twp	TEMP.
Granata					

DESCRIPTION	LEFT	CENTER LINE	RIGHT	JOB NO.
-------------	------	-------------	-------	---------





PERSONNEL TITLE PERSONNEL TITLE

COUNTY Henry

DATE 11-29-57

S. R. # 781

10-24-60

WEATHER

SEC. "H"

TEMP.

DESCRIPTION

Points #11 Thru #30 Replaced by Knape

JOB NO.

LEFT

CENTER LINE

RIGHT

#	DESCRIPTION	LEFT	CENTER LINE	RIGHT
#11	1/4 Sec. COR. Sta. 232+26 Stone 4" under Surface R.R. Spk. Iron Pk - 1' N. of S. Edge Pav't 5/11/64			70.72 N.E. To Shiner T. Pole 45.0' N. To Iron Pin on fence lin 41.85' N.W. To Iron Gas pipe 1" 43.83' S. To Shiner in W. Side 22" 43.00 Twin oak 42.96 43.47' S.E. To Shiner in W. Side 43.04 20" oak 79.71, 79.26' 79.32 S.S.E. To Shiner in 16" oak 79.63' N.W. To Shiner T. Pole. 73.63'
			(10)	
#12	Co. Rd. #14 S.E. COR. Sec. 23 Sta. 258+42.65 Stone 3" under Surface Fd. R.R. Nail R.R. Spk. 5/11/64			31.80' N.E. To ⊗ Wingwall 32.85' S.E. To ⊗ Wingwall } Plumber 26.25' N.W. To ⊗ Wingwall 30.94' S.W. To ⊗ Wingwall 31.03
			(11)	
#12A	5/4 Post Sec. 24 Sta. 284+93.96 R.R. Spk. 5/11/64			36.17' Plumbed 37.80' N.E. To Shiner in P. Pole 53' Plumbed 27.12' S.E. To Ctr. Top Rim 12" C.M.P. E. end 27.10' S.W. To ctr. Top Rim 12" C.M.P. W. end <del>28.79' S. To spk. in N. side 36"</del> 29.93 N. To + Top ctr. W. end C.M.P. E. end DE. Pipe.
			(12)	
#13	Intersection S.R. #108 & 28L Iron Pin 5/11/64			112.71' 60.19' N.E. To spk. P. Pole 57.39 51.55' N.W. To spk. T. Pole 99.67 53.70' S.E. To spk. P. Pole 90.90 40.00' S.W. To spk. T. Pole .87
			(12A)	Plum