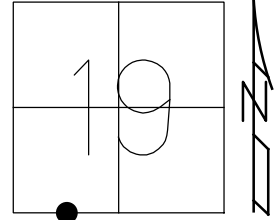


O.D.O.T. DISTRICT 2 SURVEY OFFICE (USE ONLY)

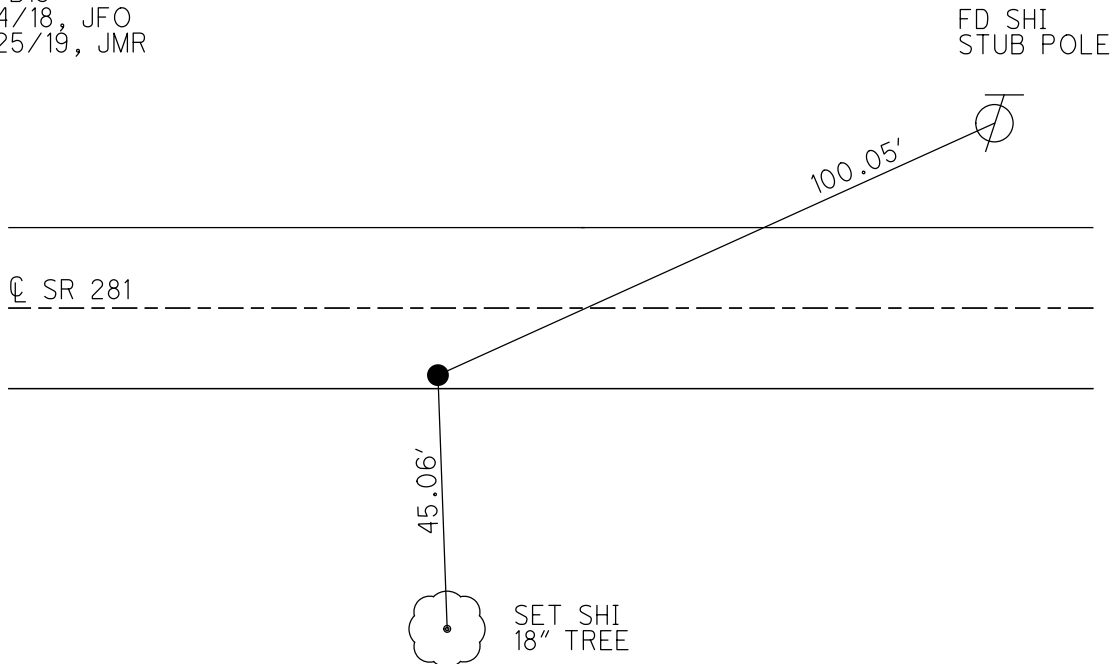
PERSONNEL _____ REFERENCE NO. 13 B SHEET 1 OF 34
 NOTES MILLER DATE 9/4/18 ROUTE SR 281
 H.C. O'DONNELL WEATHER SUNNY COUNTY HENRY
 R.C. MILLER TEMP. 74° TOWNSHIP MONROE
 DWG BY NIESE PID CHIP_2 SECTION 19
 T 4 N R 7 E

TYPE MONUMENT SM.R.R. SPIKE
 ON SURFACE - ~~BELOW~~ 5"
 OFFSET \odot PAVEMENT 8.4' ~~LT~~ : RT
1.93' TO RT EDGE PAVEMENT
 STATION: 324+54



HORZ.DATUM: NAD83(2011) GEOID: 2012A
 GRID: NORTHING: 592882.933 EASTING: 1526249.468

RECORD:
 STA 324+84.4
 1/4-1/4 SEC 19
 FD SM R.R. SPIKE
 1 1/2" DOWN
 8/18/98, MB
 SET P.K./WASHER
 9/28/98, MB
 FD SM.R.R.SPIKE
 5" DOWN
 REFB13
 9/4/18, JFO
 7/25/19, JMR



O.D.O.T. DISTRICT 2 SURVEY OFFICE

PERSONNEL

REFERENCE NO. 13-A

SHEET 3 OF 34

NOTES Huss

H.C. Barnhisel

R.C. Rousar

DATE 8.18.98

WEATHER FAIR

TEMP. 82°

ROUTE SR 281

COUNTY HENRY

TOWNSHIP MONROE

SECTION 19

T 4 N 7 R 7 E

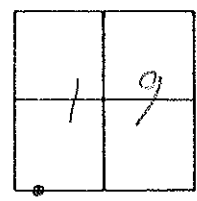
TYPE MONUMENT Sm RR spike

ON SURFACE - BELOW 1 1/2" Below

LEFT- & PAV'T. - RIGHT 8.4 RT

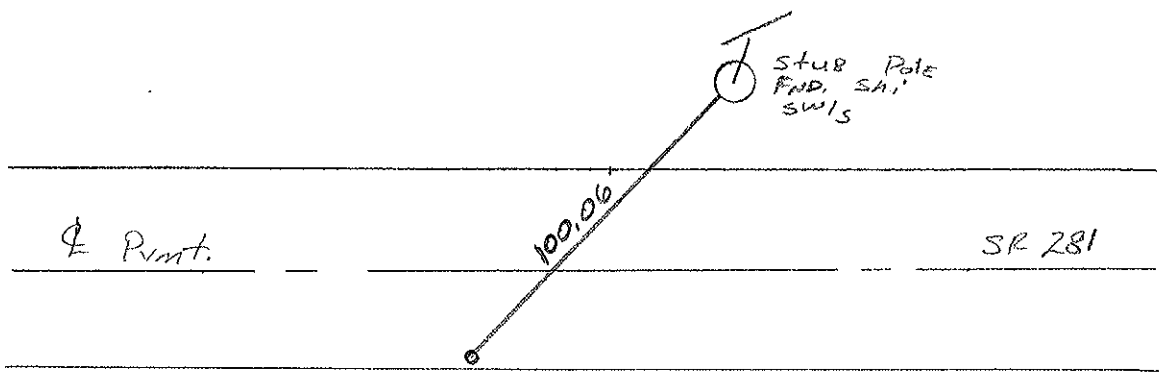
1.93 TO RT EDGE PAVEMENT

S.L.M. 9+889.03 (SLE); 324+54 (SLM)



(Reset PK & WASHER
9-28-98
MB)

Records:
Sta 324+84.4
1/4 - 1/4 Sec 19



DRAWN BY JR

O.D.O.T. DISTRICT 2 SURVEY OFFICE

PERSONNEL _____

REFERENCE NO. 13-A

SHEET 3 OF _____

NOTES Sackman

H.C. BARNHISEL

R.C. LOEHRKE

DATE 8-12-87

WEATHER Clear

TEMP. +75

ROUTE SR 281

COUNTY HENRY

TOWNSHIP MONROE

SECTION 19

T4 N R 7 E

TYPE MONUMENT P. K. Nail

Set small RR spike

~~ON SURFACE~~ - BELOW 1 1/2"

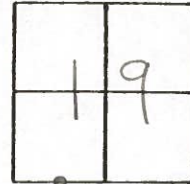
8-20-87

~~LEFT- & PAV'T.~~ - RIGHT 8.6

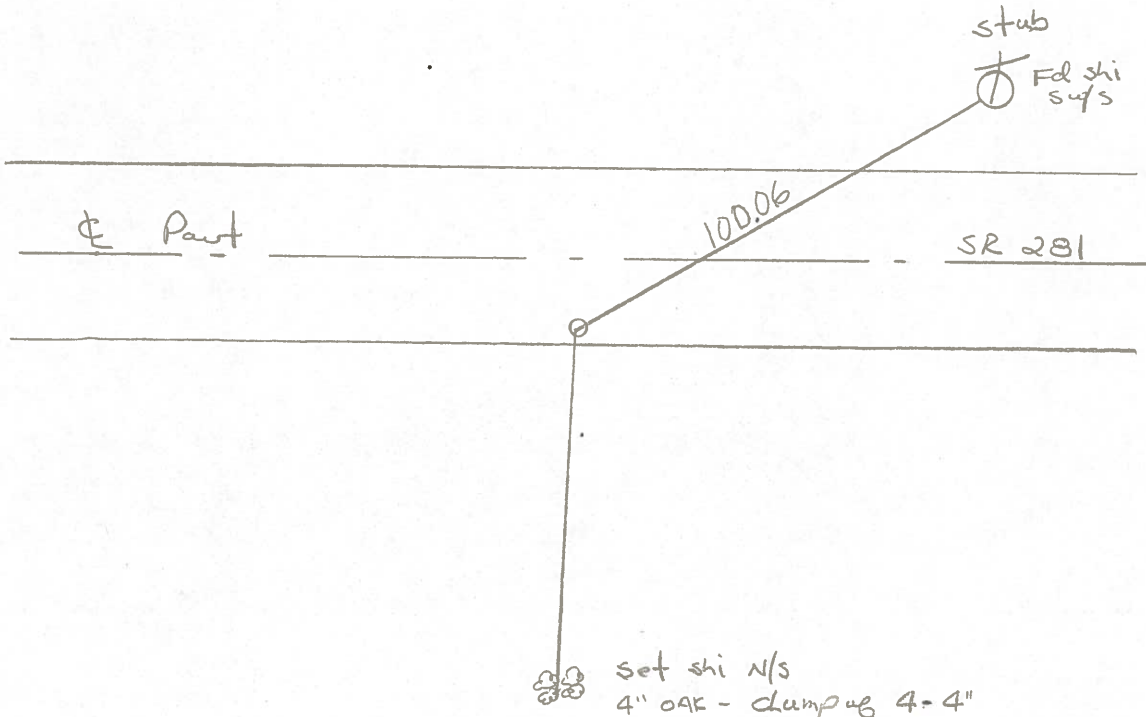
SPK

1.3 TO RT EDGE PAVEMENT

S.L.M. 324 + 54



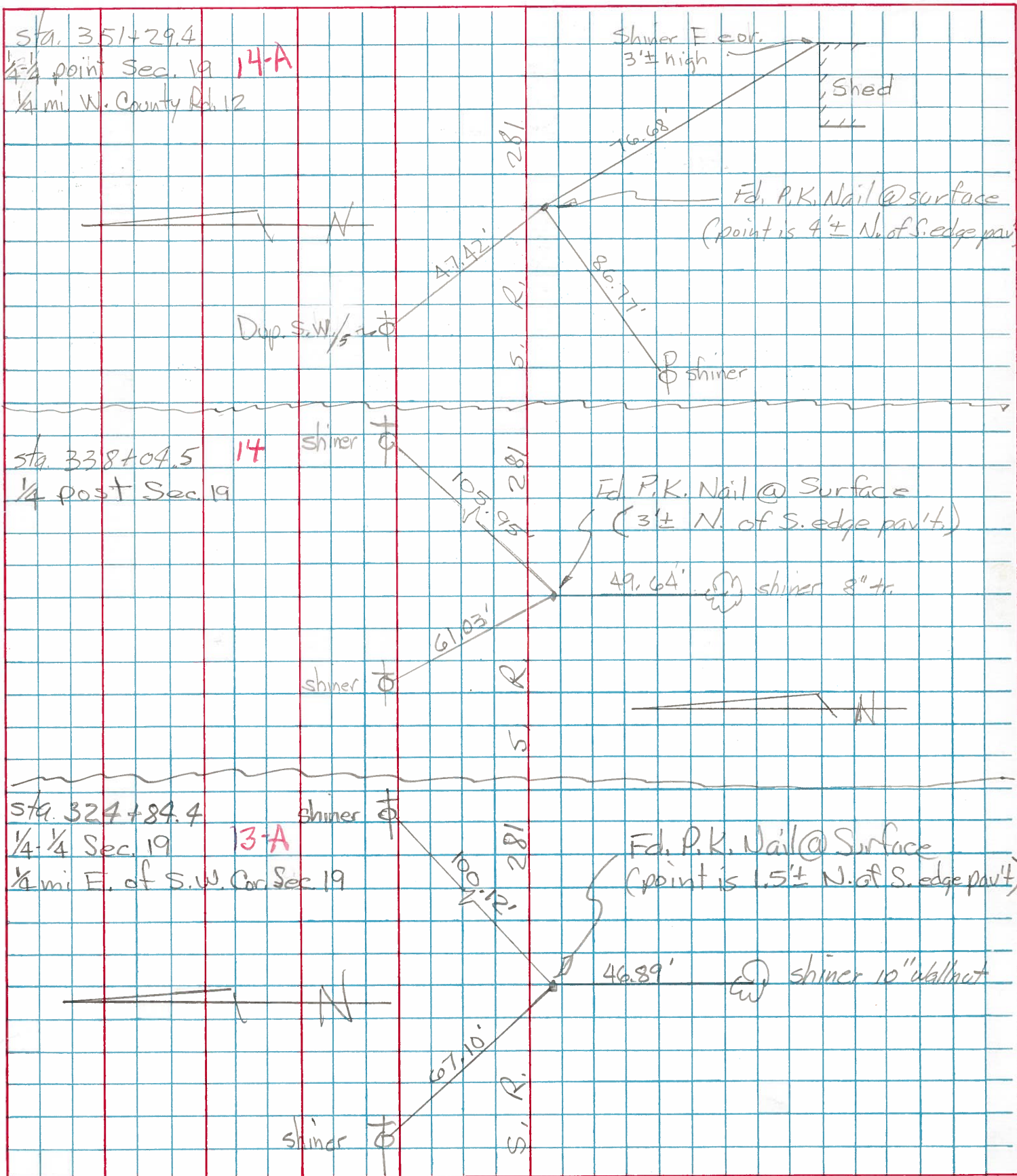
Records:
sta 324+84.4
1/4-1/4 Sec 19



PERSONNEL	TITLE	PERSONNEL	TITLE
Tomsic			
Neuser			
Vanyo			
Granata			

COUNTY HENRY DATE Nov. 12, 1974
 S. R. 281 WEATHER _____
 SEC. MONROE TWP. TEMP. _____

DESCRIPTION _____ LEFT _____ CENTER LINE _____ RIGHT _____ JOB NO. _____



PERSONNEL TITLE PERSONNEL TITLE

COUNTY Henry

DATE 11-29-57

S. R. #281

10-24-60

SEC. "J"

WEATHER

SEC.

TEMP.

DESCRIPTION

LEFT

CENTER LINE

RIGHT

JOB NO.

#14	Sec. Cor. Sec #19 Stone (Iron Bolt) R.R. Spk. Monroe Twp	(13)	28.0' S.E. To chiseled \otimes on Hdwl. 74.59' S. To R.R. Spk. in E. side P.P. 57.19' N.W. To chiseled \otimes on Hdwl. 39.52' Shi. in T. Pole N.
#15	Sec. Cor. Sec #19 Stone (Iron Bolt) R.R. Spk. Flatrock Twp.	(13)	33.80' S.E. To chiseled \otimes on Hdwl. 81.26' S. To R.R. Spk. in E. side. P. Pole 53.27' N.W. To chiseled \otimes on Hdwl. 32.80' Shi. in T. Pole N
#16	1/4-1/4 Cor. R.R. Spk. Bords E. S.W. Cor. Sec. 19	(13-A)	99.93' N.E. To valve in T. Pole 67.05' N.W. To 60 th spk. T. Pole 47.07' S. To shi. 8" walnut
#17	1/4 Cor. Stone (Iron Bolt) (R.R. Spk)	(14)	58.15' 58.50' S.E. To 60 th spk. in W. side 105.95' N.E. To shi. in T. Pole 10" Apple 41.60' S. To 1" Gas Pipe 50.00' N. To 1" Gas Pipe 61.06' N.W. To 60 th spk. in T. Pole
#18	1/4-1/4 Cor. Stone (R.R. Spk) Bords. W. S.E. Cor.	(14-A)	76.95' 77.00' S.E. To N.E. Cor. Conc. 73.80' Corn Crib. Foundation 73.95' S. To N.W. Cor. Conc. 47.45' Corn Crib. Foundation 47.53' N.W. To 60 th spk. W. side T. Pole 86.81 S.W. To shi. P. Pole
#19	S.E. Cor. Sec 19 R.R. Spk.	(15)	80.12' 80.38' S.W. To 60 th spk. in N. Side 20" \otimes 42.57 S.E. Shi. T.P. 71.44' S.W. To " " " S.E. " 12" Plu. 46.02 S.W. Shi. P.P. 48.47' N.E. To " " " S.E. " 10" Elm 45.98 39.97' Shi. in T.P. N.E. 42.24' clum 48.80' + N.W. Top 60" conc. Pipe
#20	1/4 1/4 Cor. Stone Did not find any Trace of iron bolt 4 ft 1 ft post	(15-A)	96.50' N.E. To 60 th spk. in Tel. Pole 73.50' N.E. To spk. in 12" Pear 60.50' N.W. To 60 th spk. in Tel. Pole 82.52' S.E. Shi. in T. Pole