

O.D.O.T. DISTRICT 2 SURVEY OFFICE (USE ONLY)

PERSONNEL

REFERENCE NO. 22 B

SHEET 18 OF 34

NOTES RHOADES

DATE 9/6/18

ROUTE SR 281

H.C. O'DONNELL

WEATHER FAIR

COUNTY HENRY

R.C. RHOADES

TEMP. 76°

TOWNSHIP MONROE

SECTION 24

DWG BY NIESE

PID PAVETRAIN

T 4 N R 7 E

TYPE MONUMENT P.K.NAIL

ON SURFACE - ~~BELOW~~ ON

OFFSET \bar{C} PAVEMENT 1.0' ~~±~~ : RT

- TO - EDGE PAVEMENT

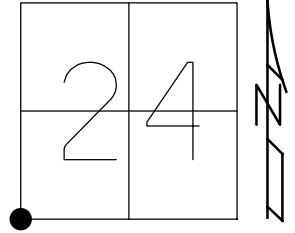
STATION: 576+06

HORIZ.DATUM: NAD83(2011)

GEOID: 2012A

GRID: NORTHING: 592611.755

EASTING: 1551393.702

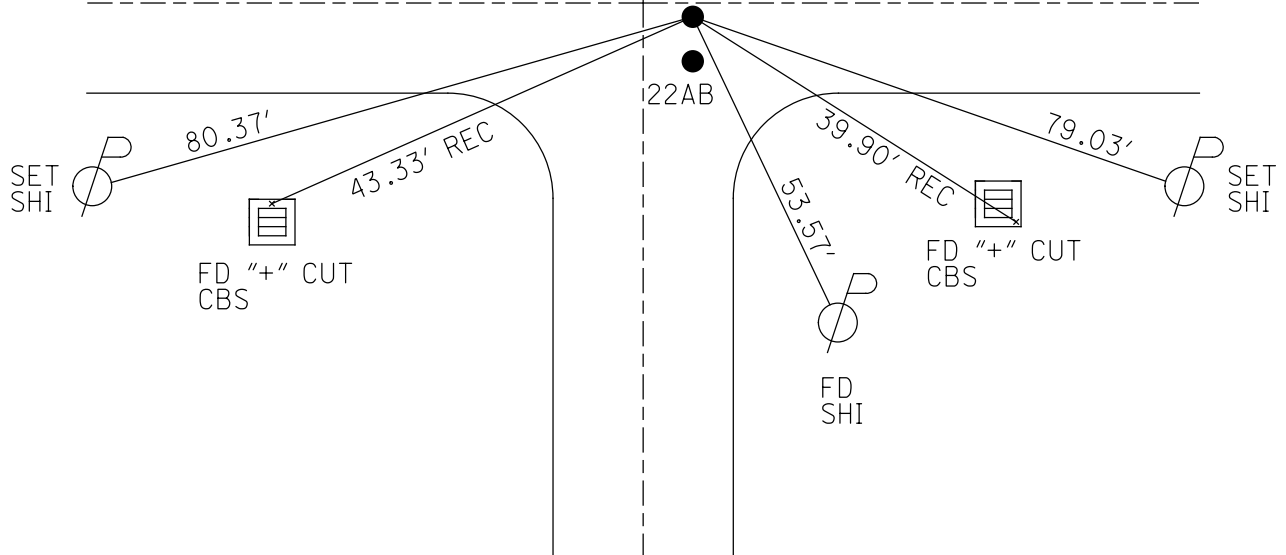


RECORD:
 FD HARROW TOOTH
 SQUARE SPIKE
 BY COUNTY
 6/5/79
 FD SM.R.R. SPIKE
 5/28/98, MC
 SET P.K./WASHER
 10/1/98, MRC
 FD P.K.NAIL
 REFB22
 9/6/18, JFO
 7/25/19,
 1/11/23, JMR

\bar{C} CR 8

DIST. 22AB-22B= 1.88' REC

\bar{C} SR 281



O.D.O.T. DISTRICT 2 SURVEY OFFICE (USE ONLY)

PERSONNEL

REFERENCE NO. 22 B

SHEET 18 OF 34

NOTES RHOADES DATE 9/6/18
 H.C. O'DONNELL WEATHER FAIR
 R.C. RHOADES TEMP. 76°

ROUTE SR 281
 COUNTY HENRY
 TOWNSHIP MONROE
 SECTION 24
 T 4 N R 7 E

DWG BY NIESE PID CHIP_2

TYPE MONUMENT P.K.NAIL

ON SURFACE - ~~BELOW~~ ON

OFFSET \varnothing PAVEMENT 1.0' ~~±~~ : RT

- TO - EDGE PAVEMENT

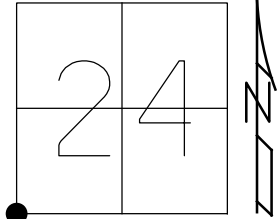
STATION: 576+06

HORZ.DATUM: NAD83(2011)

GEOID: 2012A

GRID: NORTHING: 592611.755

EASTING: 1551393.702

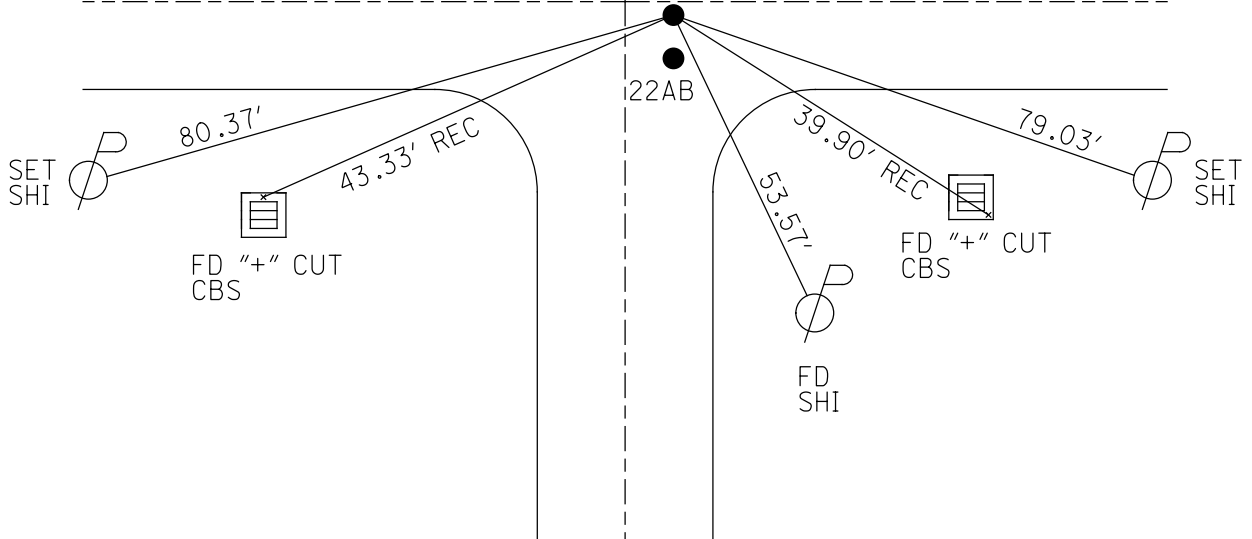


RECORD:
 FD HARROW TOOTH
 SQUARE SPIKE
 BY COUNTY
 6/5/79
 FD SM.R.R. SPIKE
 5/28/98, MC
 SET P.K./WASHER
 10/1/98, MRC
 FD P.K.NAIL
 REFB22
 9/6/18, JFO
 7/25/19, JMR

\varnothing CR 8

DIST. 22AB-22B= 1.88' REC

\varnothing SR 281



O.D.O.T. DISTRICT 2 SURVEY OFFICE

PERSONNEL

REFERENCE NO. 22-B

SHEET 19 OF 34

NOTES Centerbury

H.C. Rousos

R.C. Nuffer

DATE 5-28-98

WEATHER Fair

TEMP. +75°

ROUTE SR 281

COUNTY HENRY

TOWNSHIP MONROE

SECTION 24

T4 N R 7 E

TYPE MONUMENT A - Sm RR spike / B - Sm RR spike

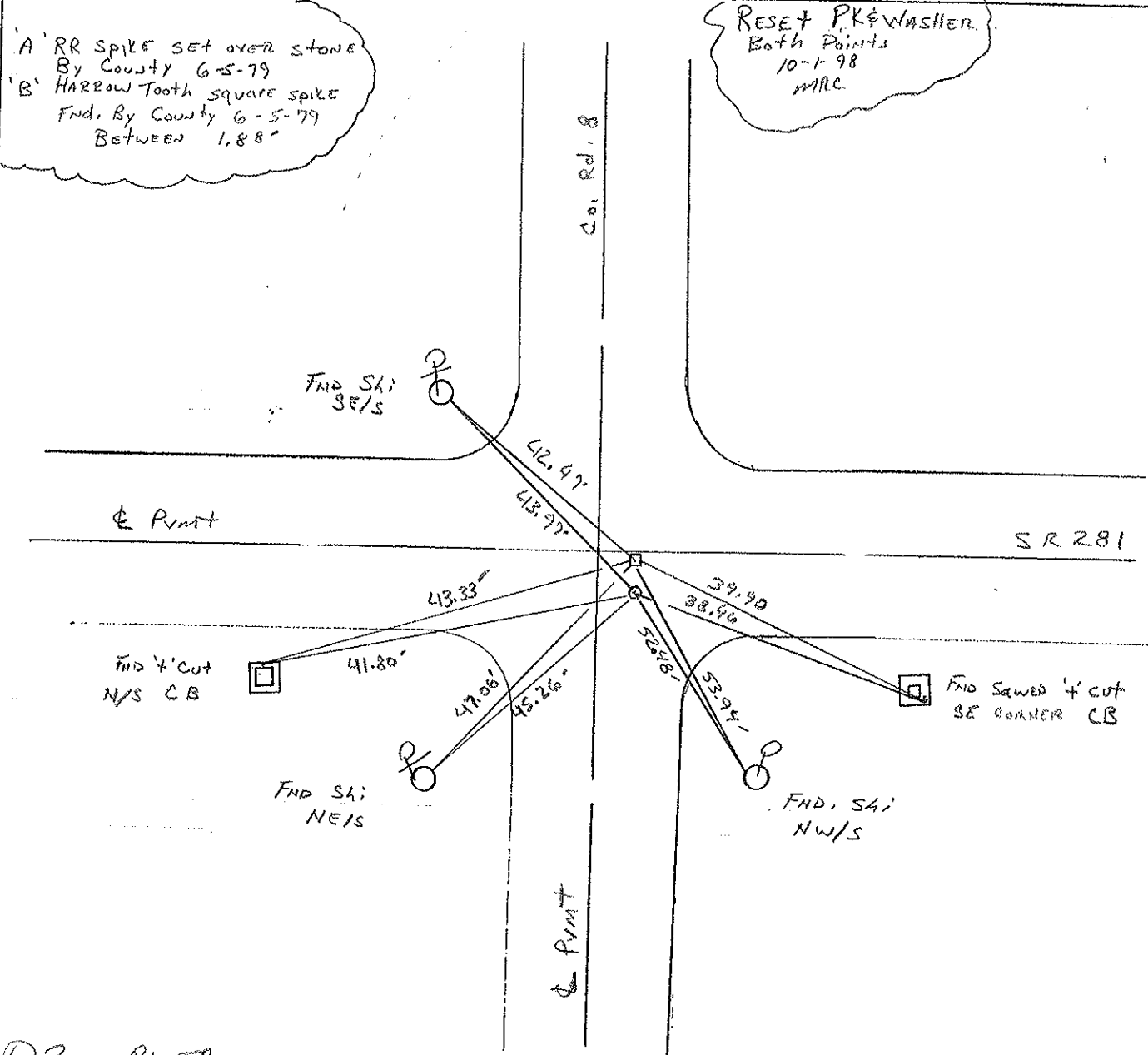
ON SURFACE - BELOW Surface

LEFT - ☉ PAV'T. - RIGHT A 2.8' Rt / B 1.0' Rt ☉

— JO — EDGE PAVEMENT

S.L. A 171560.005 SLK, B 171560.000 SLK (576+06 slm)

23	24
26	25



Drawn By TR

O.D.O.T. DISTRICT 2 SURVEY OFFICE

PERSONNEL _____

REFERENCE NO. 22-B

SHEET 19 OF _____

NOTES Sackman

H.C. BARN HISCO

R.C. LOENRKE

DATE 8-13-87

WEATHER HAZY

TEMP. +72

ROUTE SR 281

COUNTY HENRY

TOWNSHIP MONROE

SECTION 24

T4 NR 7 E

Set Sm RR Spikes "A" "B"
 TYPE MONUMENT R.R. SPIKE / HARROW TOOTH SPIKE
 ON SURFACE - BELOW 1/2" / 1/2"
 LEFT- & PAV'T. - RIGHT 2.5' / 0.7'
 TO EDGE PAVEMENT 3.2' East of & Part Co. Rd "8" North
 S.L.M. 576 +06

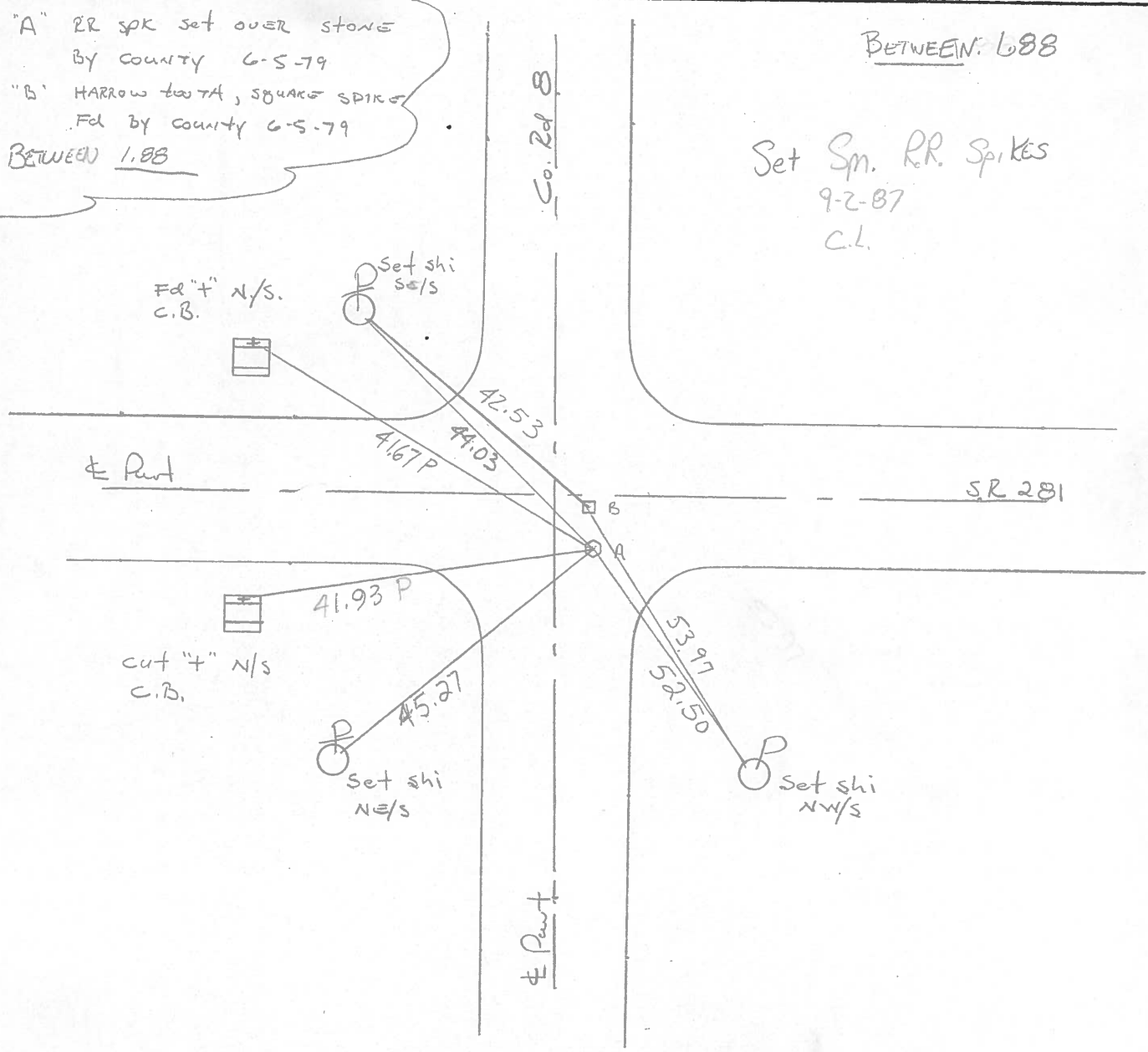
23	24
26	25



"A" RR SPK set OVER STONE
 BY COUNTY 6-5-79
 "B" HARROW TOOTH, SQUARE SPIKE
 Fd BY COUNTY 6-5-79
 BETWEEN 1.88

BETWEEN: 688

Set Sm. RR. Spikes
 9-2-87
 C.L.

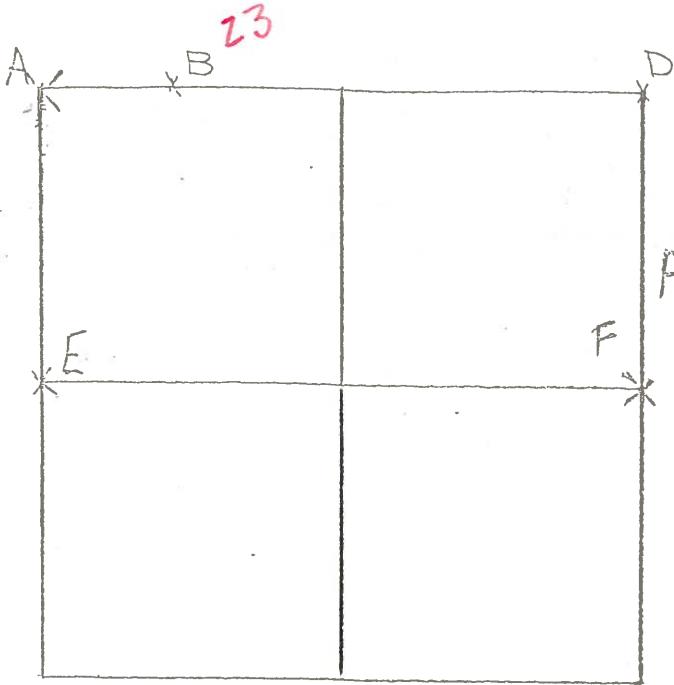


COUNTY HENRY S.R. 281



T 4 N 7 E

TOWNSHIP MONROE



SECTION 25



6-26-79 R.W. G.M.
 F- FOUND STONE (8" x 10" x 12")
 18" BELOW ROAD SURFACE. FOUND
 BROKEN CLAY TILE OVER STONE
 PLACED CENTER PUNCHED R.R.
 SPIKE ON SURFACE OVER
 HIGH POINT OF STONE. P.K.'s
 SET 6' N.E. & S.E.

STONE LOCATED 0.33' EAST OF WEST EDGE OF 18'
 PAVEMENT
 55.86' E.S.E. TO DUPLEX W/S 
 74.18' S.S.E. TO "†" N.W. COR. CATCH BASIN (PLUMBED)
 69.46' S.S.W. TO "†" END 8" DIA. CONC. PIPE (PLUMBED)
 134.88' N.N.E. TO DUPLEX W/S 
 43.12' S. TO W 1/4 POST RICHFIELD TWP.

6-5-79 R.W. J.J. G.M.
 A- FOUND SQUARE SPIKE (8" LONG) ON S.R. 281. FOUND
 STONE (8" x 10" x 14") 18" BELOW ROAD SURFACE. SPIKE LOCATED
 1.93' N. AND 0.20' E. OF STONE. FOUND SMALL STONE OVER
 TRUE STONE. REMOVED SMALL STONE AND PLACED CENTER
 PUNCHED R.R. SPIKE ON SURFACE OVER HIGH POINT OF STONE
 P.K.'s SET 6' S. AND E.

	R.R. SPIKE	SQUARE SPIKE (8" Lg)
44.04' - N.W. TO DUPLEX	E/S 	42.49'
52.72' - S.S.E. TO DUPLEX	W/S 	54.24'
45.45' - S.S.W. TO DUPLEX	E/S 