

O.D.O.T. DISTRICT 2 SURVEY OFFICE (USE ONLY)

PERSONNEL

REFERENCE NO. 26

SHEET 21 OF 34

NOTES RHOADES DATE 9/6/18
 H.C. O'DONNELL WEATHER CLOUDY
 R.C. RHOADES TEMP. 76°

ROUTE SR 281
 COUNTY HENRY
 TOWNSHIP RICHFIELD
 SECTION 19
 T 4 N R 8 E

DWG BY NIESE PID PAVETRAIN

TYPE MONUMENT P.K. NAIL

ON SURFACE - ~~BELOW~~ ON

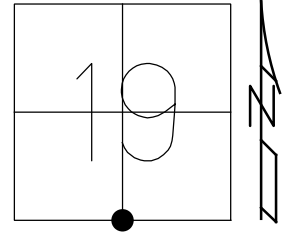
OFFSET CL PAVEMENT 1.8' ~~LT~~ : RT

8.2' TO RT EDGE PAVEMENT

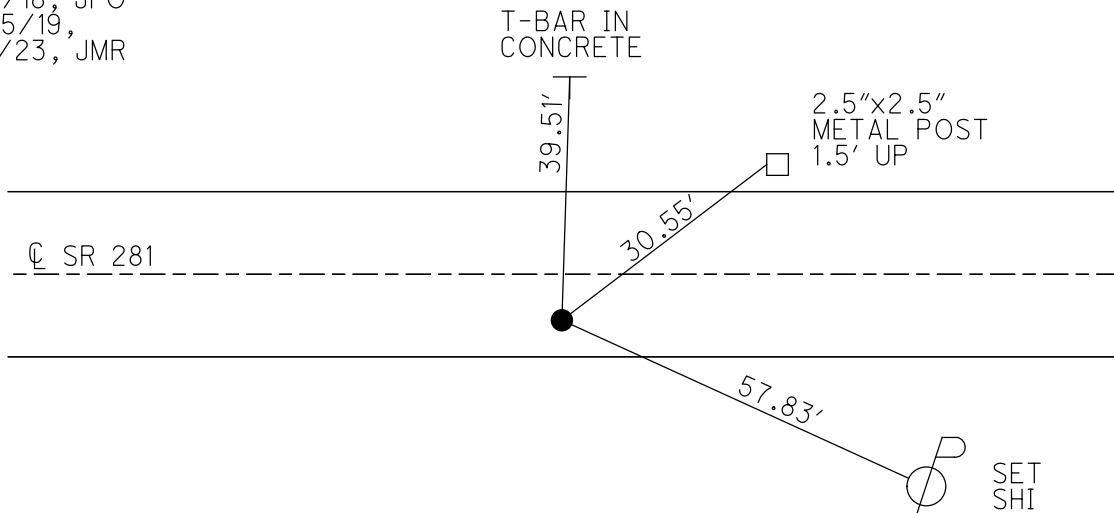
STATION: 654+65

HORIZ.DATUM: NAD83(2011) GEOID: 2012A

GRID: NORTHING: 592500.566 EASTING: 1559252.112



RECORD:
 SET SM.R.R.SPIKE
 9/2/87, CL
 FD SM.R.R.SPIKE
 ATOP R.R.SPIKE
 8/18/98, MC
 SET P.K./WASHER
 10/1/98, MRC
 FD P.K.NAIL
 REF26
 9/6/18, JFO
 7/25/19,
 1/11/23, JMR



O.D.O.T. DISTRICT 2 SURVEY OFFICE (USE ONLY)

PERSONNEL

REFERENCE NO. 26

SHEET 21 OF 34

NOTES RHOADES

DATE 9/6/18

ROUTE SR 281

H.C. O'DONNELL

WEATHER CLOUDY

COUNTY HENRY

R.C. RHOADES

TEMP. 76°

TOWNSHIP RICHFIELD

DWG BY NIESE

PID CHIP_2

SECTION 19

T 4 N R 8 E

TYPE MONUMENT P.K. NAIL

ON SURFACE - ~~BELOW~~ ON

OFFSET \odot PAVEMENT 1.8' ~~LT~~ : RT

8.2' TO RT EDGE PAVEMENT

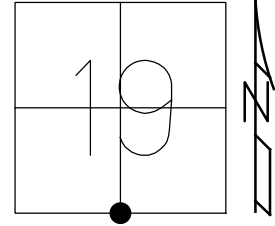
STATION: 654+65

HORZ. DATUM: NAD83(2011)

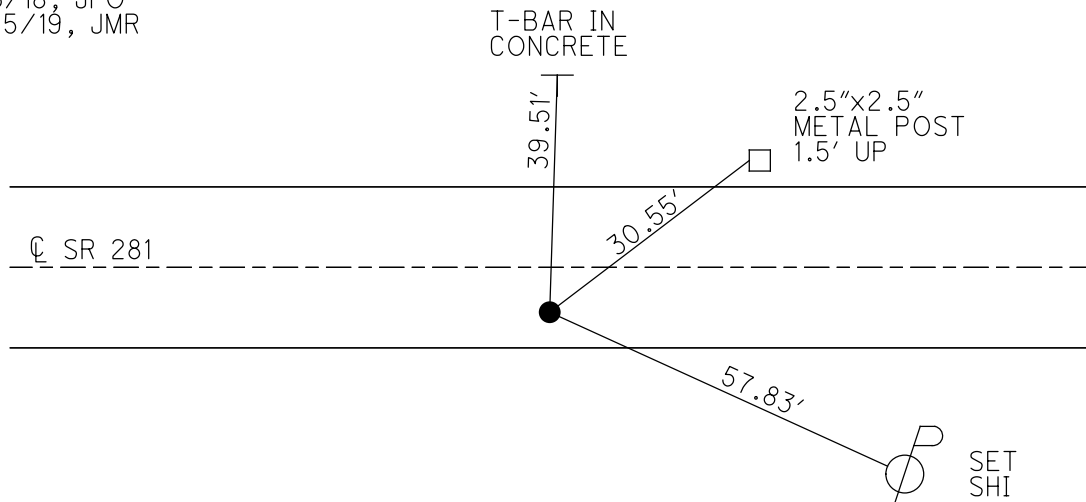
GEOID: 2012A

GRID: NORTHING: 592500.566

EASTING: 1559252.112



RECORD:
 SET SM.R.R.SPIKE
 9/2/87, CL
 FD SM.R.R.SPIKE
 ATOP R.R.SPIKE
 8/18/98, MC
 SET P.K./WASHER
 10/1/98, MRC
 FD P.K.NAIL
 REF26
 9/6/18, JFO
 7/25/19, JMR



O.D.O.T. DISTRICT 2 SURVEY OFFICE

PERSONNEL

REFERENCE NO. 26

SHEET 22 OF 34

NOTES Canterbury

H.C. Rausas

R.C. Nuttler

DATE 8-18-98

WEATHER Fair

TEMP. +84°

ROUTE SR 281

COUNTY Henry

TOWNSHIP Richfield

SECTION 19

T 4 N R 8 E

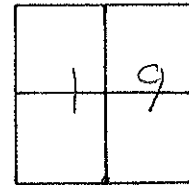
TYPE MONUMENT Sm RR spike ATOP RR spike

ON SURFACE - ~~BELOW~~ Surface

LEFT - ~~C~~ PAV'T. - RIGHT 1.8' RT

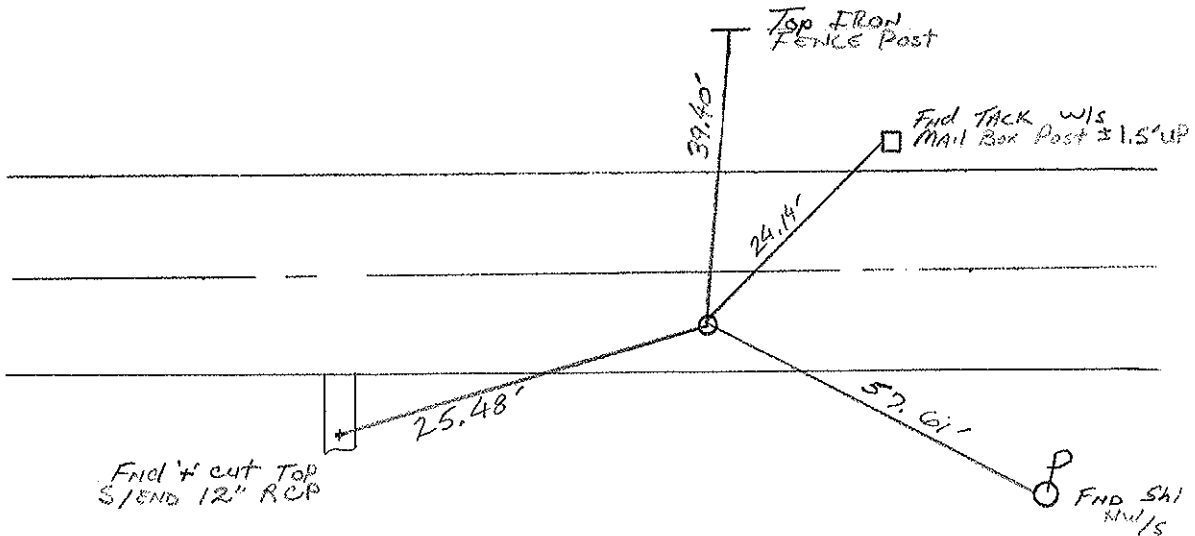
8.2' TO RT EDGE PAVEMENT

S.L.M. 19+953.732 slm (sta 654+63 slm)



Reset PLE W/ASHER
10-1-98
DMLC

Sm RR spike SET
9-2-87
CL



DRAWN BY TR

O.D.O.T. DISTRICT 2 SURVEY OFFICE

PERSONNEL

REFERENCE NO. 26

SHEET 22 OF

NOTES SOCKMAN

H.C. BARNHISEL

R.C. LOEHRKE

DATE 8-13-07

WEATHER HAZY FOG

TEMP. +75

ROUTE SR 281

COUNTY HENRY

TOWNSHIP RICHFIELD

SECTION 19

T4 N R 8 E

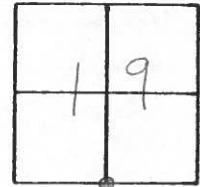
TYPE MONUMENT RR SPIKE

ON SURFACE - BELOW YES

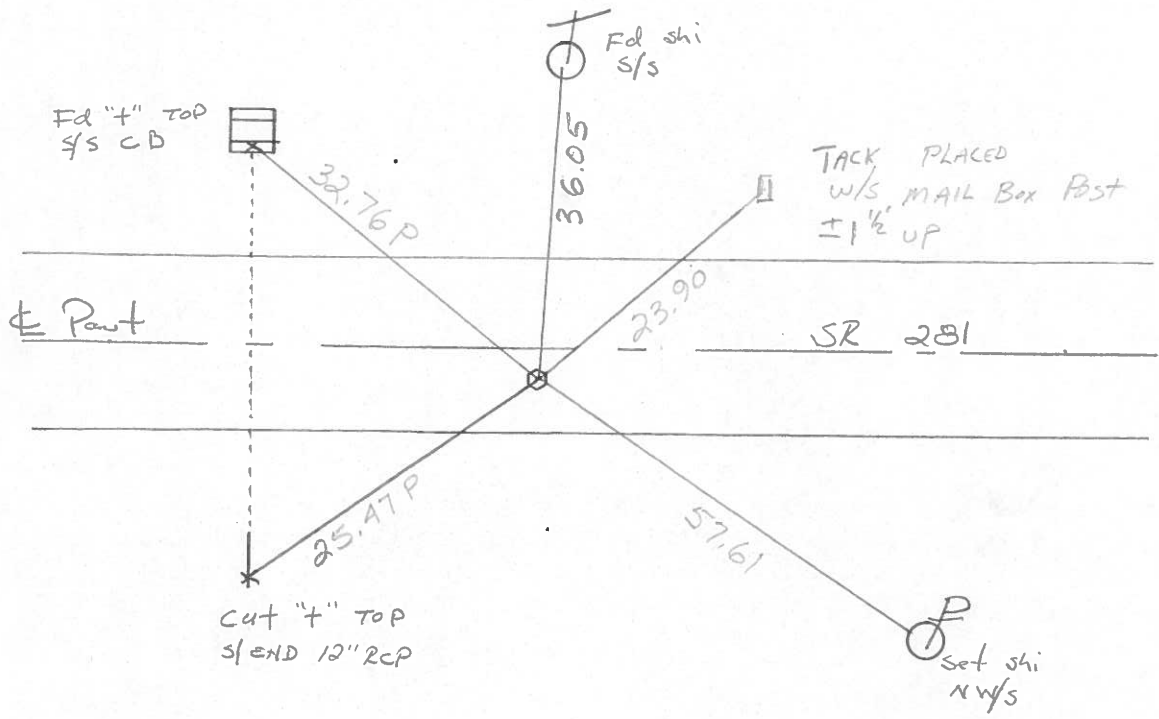
LEFT-☉ PAV'T. - RIGHT 2.3

7.2 TO RT EDGE PAVEMENT

S.L.M. 654+65



Set Sm. R.R. Spike
9-2-07
C.L.

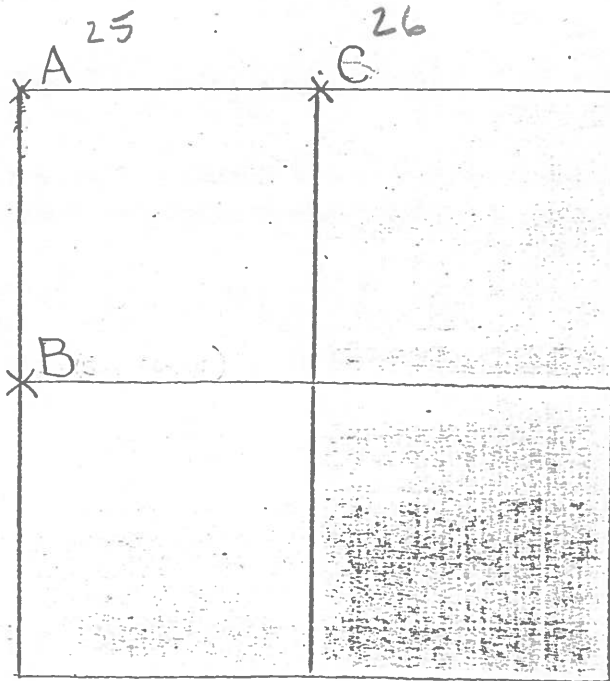


COUNTY HENRY

SHEET 2 OF 2
T-4-N , R-8-E

TOWNSHIP RICH FIELD

SECTION 30



C - FOUND P.K. NAIL 0.70'
 NORTH ϕ 4.70' EAST OF
 TOP CENTER OF STONE. PLACED
 CENTER PUNCHED RAILROAD
 SPIKE ON SURFACE OVER
 TOP CENTER OF STONE.
 P.K.'S ϕ N. & W. STONE IS
 7.1' NORTH OF SOUTH EDGE PAYMENT.

STONE IS 8" x 8" x 11" AND 1/6" BELOW ROAD SURFACE.
 32.74' N.N.W. TO "+" TOP CENTER SOUTH WALL CATCH BASIN (PLUMBED)
 36.06' N.E. TO SHINER'S $\frac{3}{5}$ J
 57.60' S.E. TO SHINER'S $\frac{NW}{5}$ P
 35.05' S.E. TO HOLE TOP CENTER 36' C.M.P.
 26.62' S. TO "+" TOP CENTER 36' C.M.P.

County Henry S.R. 281

Date 5-18-1979

Township Richfield

Weather Clear

Section N¹/₄ Cor. Sec. 30

Temp. 78°

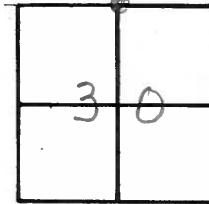
T4N, R8E

Personnel Smith

Knape

Bowers

Mead



Fd. Black Nail 26
 @ Surface &
 1.5' S. of E Part
 654 + 76

