

O.D.O.T. DISTRICT 2 SURVEY OFFICE (USE ONLY)

PERSONNEL

REFERENCE NO. 30

SHEET 25 OF 34

NOTES RHOADES

DATE 9/7/18

ROUTE SR 281

H.C. O'DONNELL

WEATHER CLOUDY

COUNTY HENRY

R.C. RHOADES

TEMP. 65°

TOWNSHIP RICHFIELD

DWG BY NIESE PID PAVETRAIN

SECTION 21

T 4 N R 8 E

TYPE MONUMENT SM.R.R.SPIKE

ON SURFACE - ~~BELOW~~ ON

OFFSET CL PAVEMENT 4.0' ~~RT~~ : RT

6.1' TO RT EDGE PAVEMENT

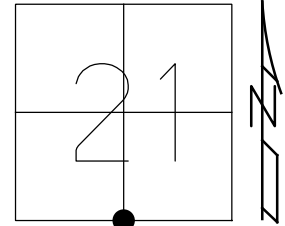
STATION: 761+02

HORZ.DATUM: NAD83(2011)

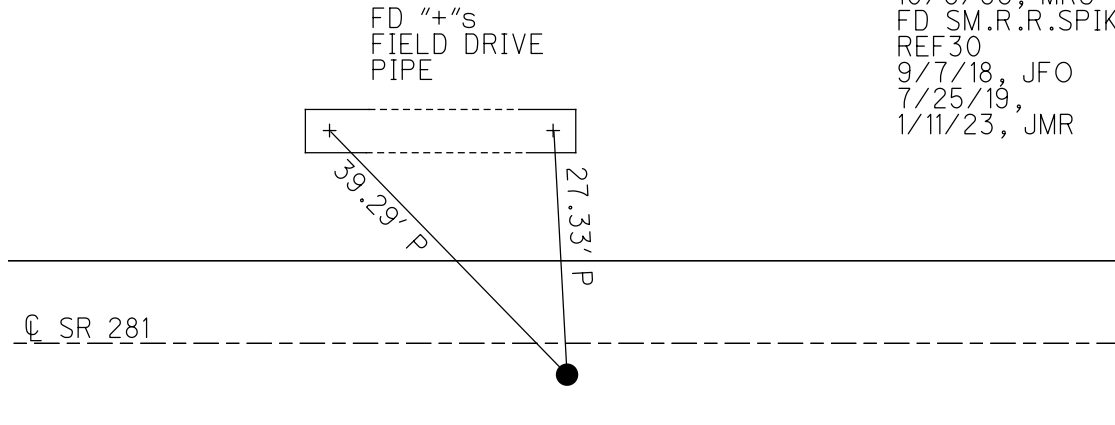
GEOID: 2012A

GRID: NORTHING: 592437.724

EASTING: 1569889.622



RECORD:
 SET SM.R.R.SPIKE
 9/2/87, CL
 FD SM.R.R.SPIKE
 6/2/98, MC
 SET P.K./WASHER
 10/5/98, MRC
 FD SM.R.R.SPIKE
 REF30
 9/7/18, JFO
 7/25/19,
 1/11/23, JMR



O.D.O.T. DISTRICT 2 SURVEY OFFICE (USE ONLY)

PERSONNEL

REFERENCE NO. 30

SHEET 25 OF 34

NOTES RHOADES

DATE 9/7/18

ROUTE SR 281

H.C. O'DONNELL

WEATHER CLOUDY

COUNTY HENRY

R.C. RHOADES

TEMP. 65°

TOWNSHIP RICHFIELD

SECTION 21

DWG BY NIESE PID CHIP_2

T 4 N R 8 E

TYPE MONUMENT SM.R.R.SPIKE

ON SURFACE - ~~BELOW~~ ON

OFFSET CL PAVEMENT 4.0' ~~±~~ : RT

6.1' TO RT EDGE PAVEMENT

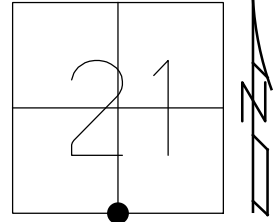
STATION: 761+02

HORZ.DATUM: NAD83(2011)

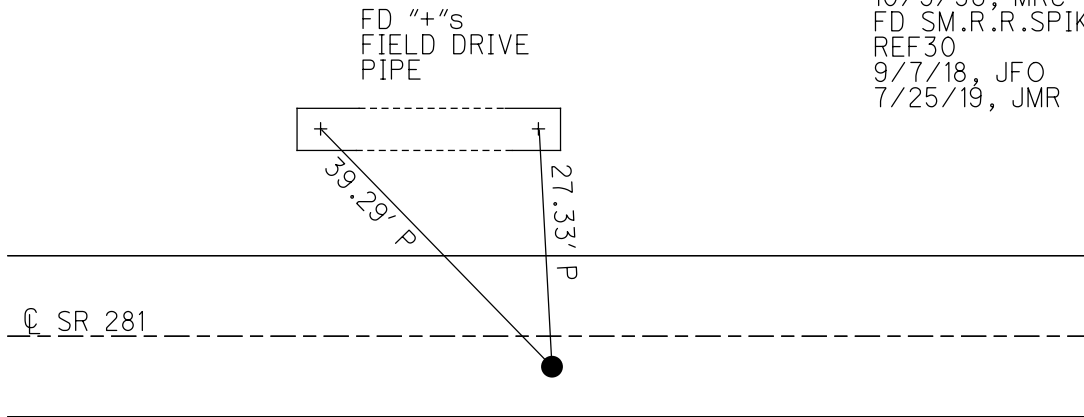
GEOID: 2012A

GRID: NORTHING: 592437.724

EASTING: 1569889.622



RECORD:
 SET SM.R.R.SPIKE
 9/2/87, CL
 FD SM.R.R.SPIKE
 6/2/98, MC
 SET P.K./WASHER
 10/5/98, MRC
 FD SM.R.R.SPIKE
 REF30
 9/7/18, JFO
 7/25/19, JMR



O.D.O.T. DISTRICT 2 SURVEY OFFICE

PERSONNEL _____

REFERENCE NO. 30

SHEET 26 OF 34

NOTES Canterbury

H.C. Rolpas

R.C. Nutten

DATE 6-2-98

WEATHER Sunny

TEMP. +70°F

ROUTE SR 281

COUNTY Henry

TOWNSHIP Richfield

SECTION 21

T 4 N R 8 E

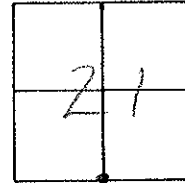
TYPE MONUMENT 5m RR spk atop RR SPIKE

ON SURFACE - BELOW surface

LEFT-CL PAV'T. - RIGHT 4.0 RT

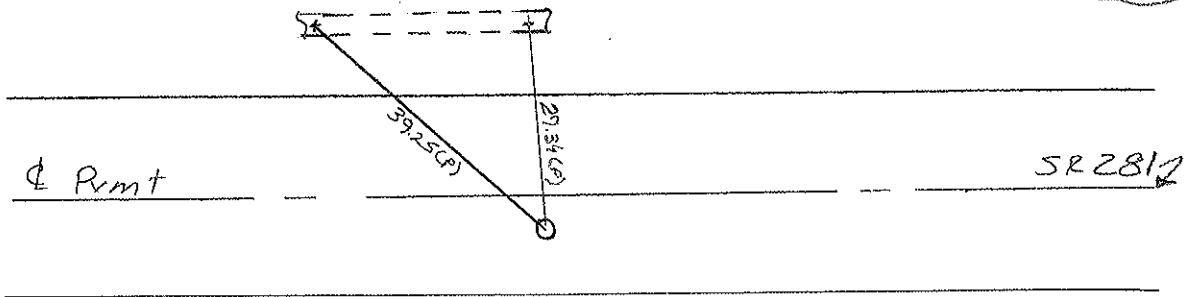
CL TO RT EDGE PAVEMENT

S.L.M. 23, 191, 923 SLK, 761+02 SEM



RESET PILEWASHER
 10-5-98
 MKR

5m RR spk set
 9-2-89
 CL



DRAWN BY TR

O.D.O.T. DISTRICT 2 SURVEY OFFICE

PERSONNEL

REFERENCE NO. 30

SHEET 24 OF

NOTES SOCKMAN

H.C. BARNHISEL

DATE 8-13-87

ROUTE SR 281

R.C. LOGHRKE

WEATHER HAZY

COUNTY HENRY

TEMP. +77

TOWNSHIP RICHFIELD

SECTION 21

T4 N R 8 E

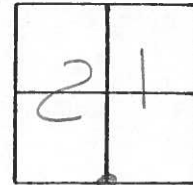
TYPE MONUMENT P.P. SPIKE

ON SURFACE - BELOW YES

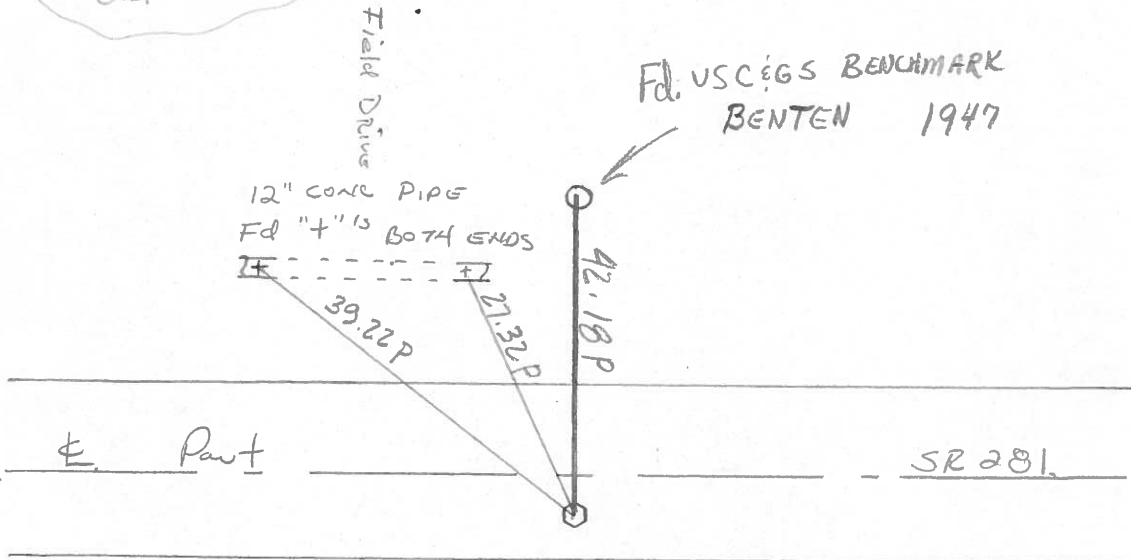
~~LEFT~~ PAV'T. - RIGHT 3.8

5.7 TO RT EDGE PAVEMENT

S.L.M. 761 + 02



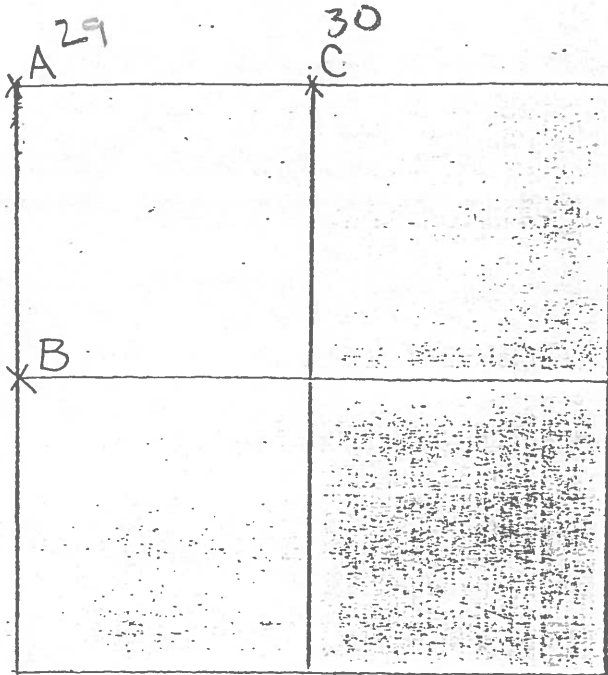
Set Sm. R.P. Spike
9-2-87
C.L.



COUNTY HENRY

TOWNSHIP RICHFIELD

SECTION 28



11-12-79 R.W. V.J. C.S.

C- FOUND RECORDED RAILROAD SPIKE

0.15' SOUTH OF 1x2' WOOD STAKE 24"

BELOW ROAD SURFACE. PLACED

CENTER PUNCHED RAILROAD SPIKE

ON SURFACE OVER 1x2' WOOD STAKE.

P.K.'S 6 N. & W.

RAILROAD SPIKE IS 5.6' NORTH

OF SOUTH EDGE 19' PAVEMENT.

67.81' W.N.W. TO SHINER ^{SE}/_S I

39.15' N.W. TO "+" TOP 12" R.C.P. (PLUMBED)

42.14' N. TO CENTER U.S.C. & G. Δ STA. BENEIN-1947 (PLUMBED)

27.28' N. TO "+" TOP 12" R.C.P. (PLUMBED)

76.44' N.E. TO SHINER ^{SW}/_S I

44.96' S. TO SHINER ^N/_S COR POST (LOOSE)

County HENRY S.R. 281

Date 5-22-79

Township RICHFIELD

Weather CLEAR

Section N 1/4 Post SEC. 28

Temp. +65°

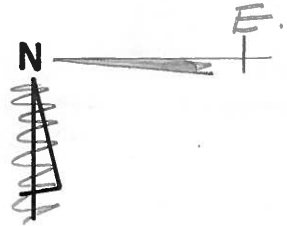
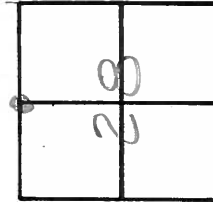
T4N, R8E

Personnel BURNSIDE

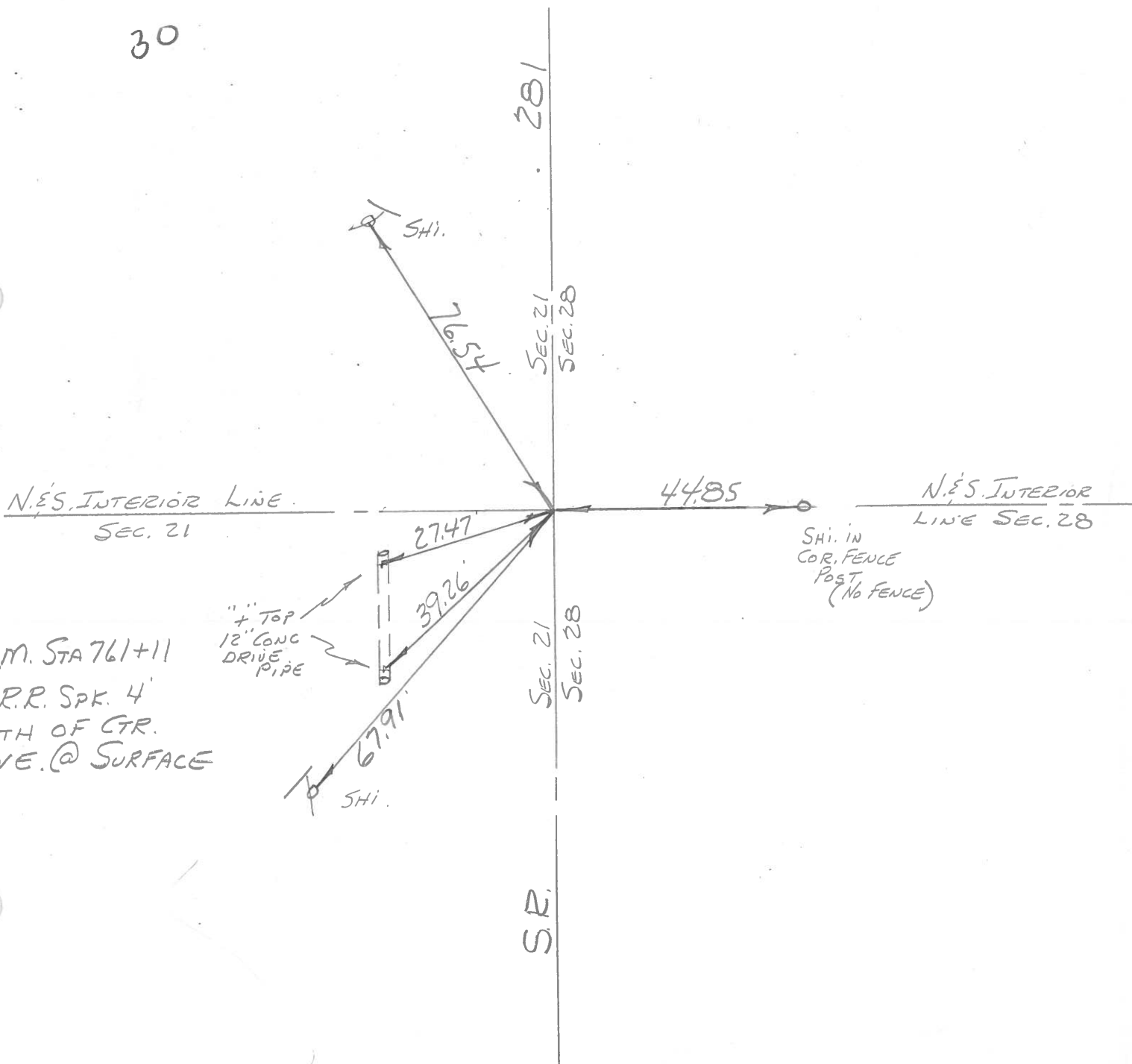
SMITH

KNAPE

MEAD



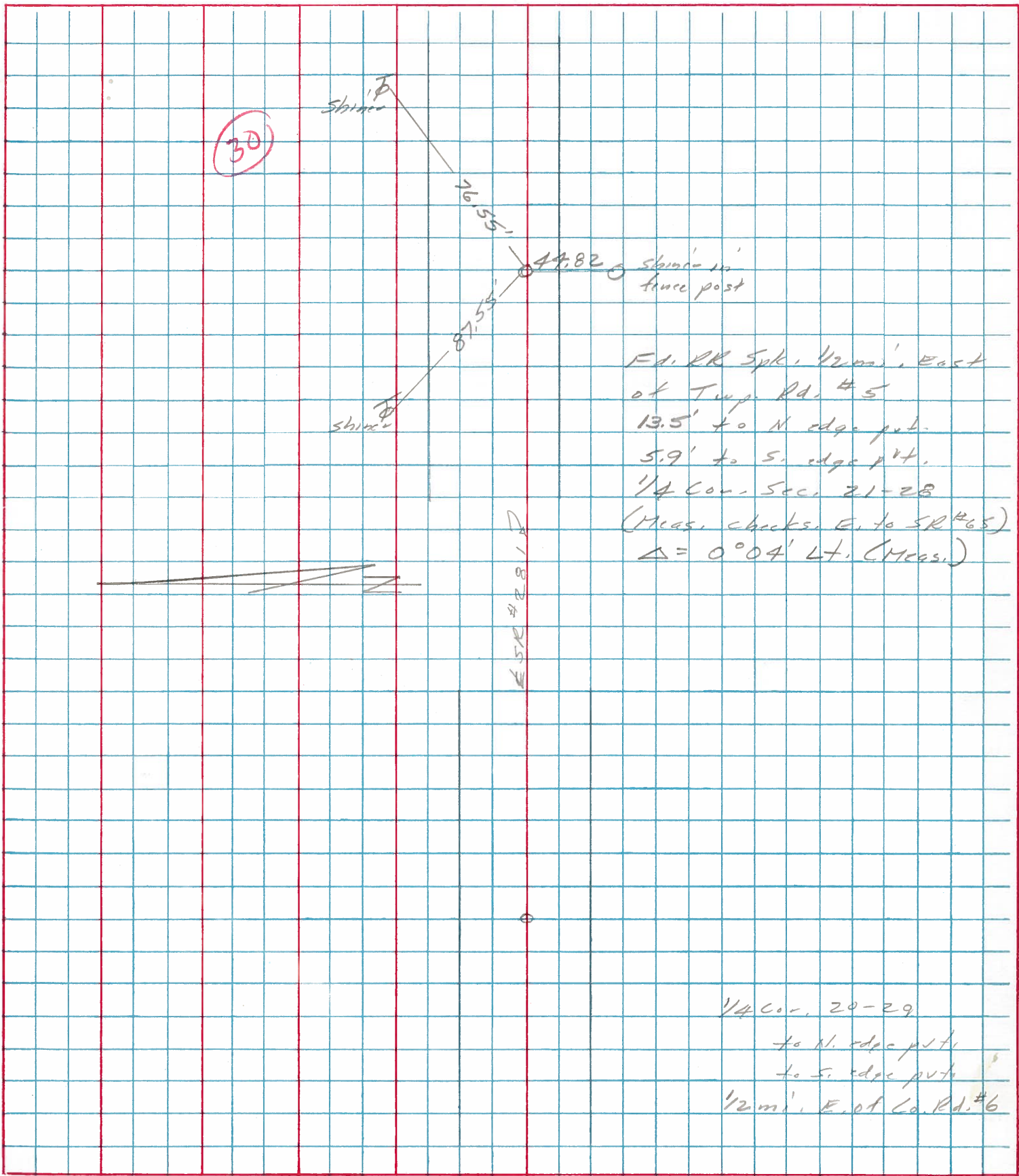
30



SLM. STA 761+11
 FD. R.R. SPK. 4
 SOUTH OF CTR.
 PAVE. @ SURFACE

PERSONNEL	TITLE	PERSONNEL	TITLE	COUNTY	DATE
Stone				Henry	20 April 77
Crew				S. R. 281	WEATHER Cloudy
				SEC. Richfield Twp.	TEMP. 65°

DESCRIPTION Reference to Control Points JOB NO. _____



PERSONNEL	TITLE	PERSONNEL	TITLE
Tomsic			
Neuser			
Granata			

COUNTY HENRY DATE Nov 26, 1974
 S. R. 281 WEATHER _____
 SEC. RICHFIELD TWP. TEMP. _____

DESCRIPTION _____ LEFT _____ CENTER LINE _____ RIGHT _____ JOB NO. _____

