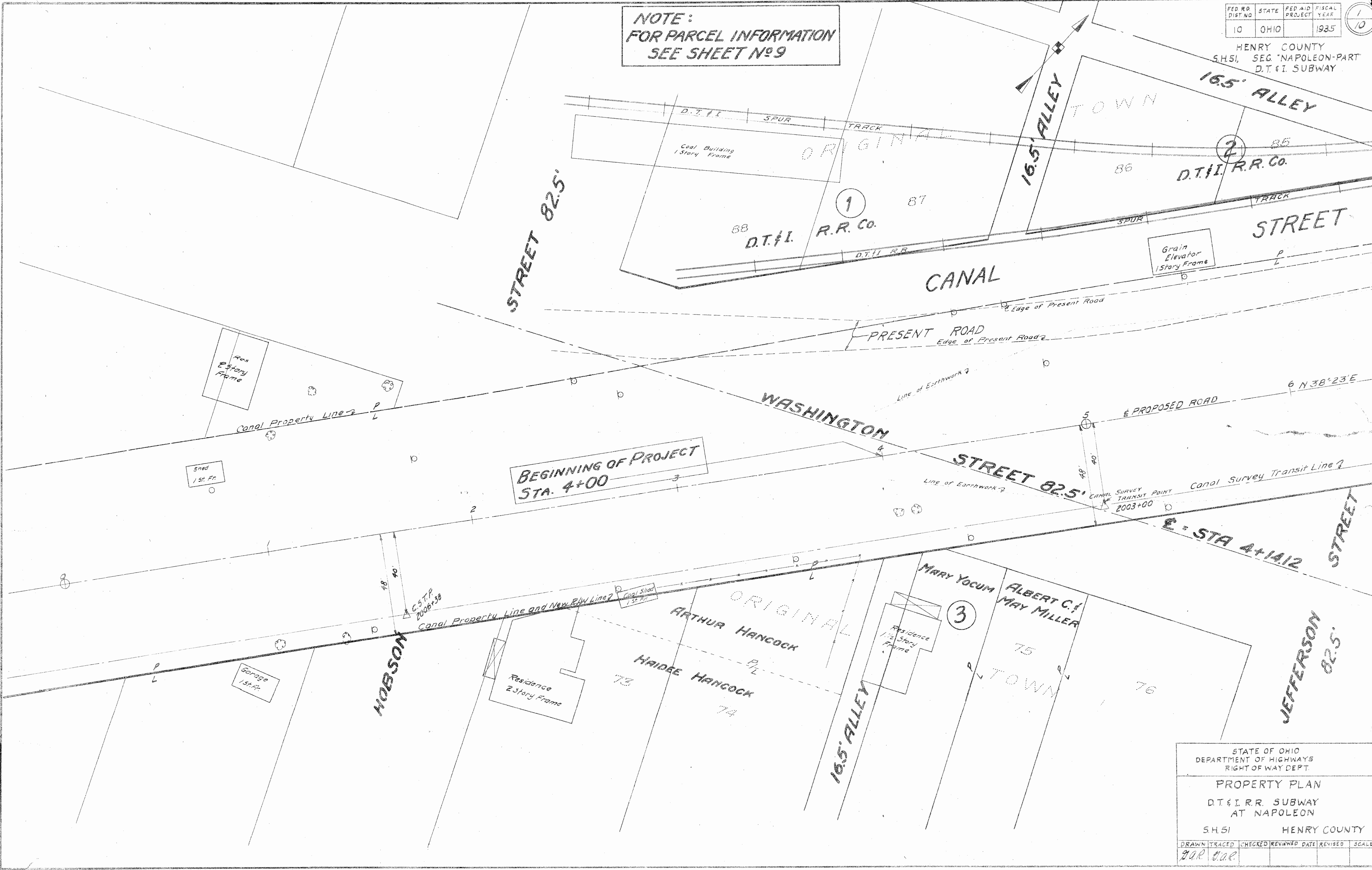


NOTE:
FOR PARCEL INFORMATION
SEE SHEET No 9

FED. RD. DIST. NO.	STATE	FED. AID PROJECT YEAR	FISCAL YEAR
10	OHIO		1935

HENRY COUNTY
S.H.51, SEC. "NAPOLEON-PART"
D.T. & I. SUBWAY



BEGINNING OF PROJECT
STA. 4+00

STATE OF OHIO DEPARTMENT OF HIGHWAYS RIGHT OF WAY DEPT.						
PROPERTY PLAN D.T. & I. R.R. SUBWAY AT NAPOLEON						
S.H.51 HENRY COUNTY						
DRAWN	TRACED	CHECKED	REVIEWED	DATE	REVISED	SCALE
J.A.R.	J.A.R.					

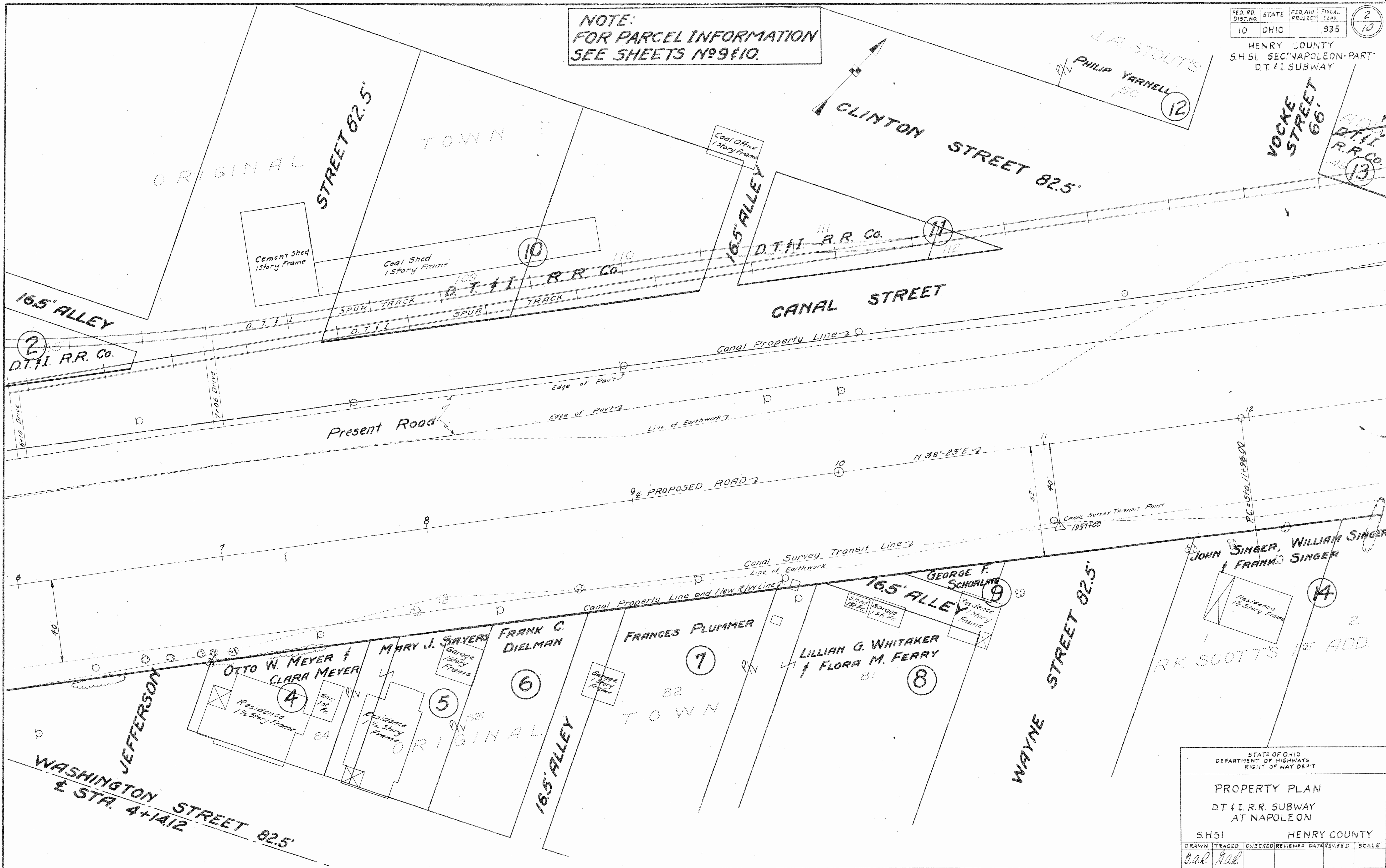
REVISION #1 B-1

NOTE:
FOR PARCEL INFORMATION
SEE SHEETS N^o 9 & 10.

FED. RD. DIST. NO.	STATE	FED. AID PROJECT	FISCAL YEAR
10	OHIO		1935

2
10

HENRY COUNTY
S.H. 51, SEC. 1 NAPOLEON-PART
D.T. & I. SUBWAY



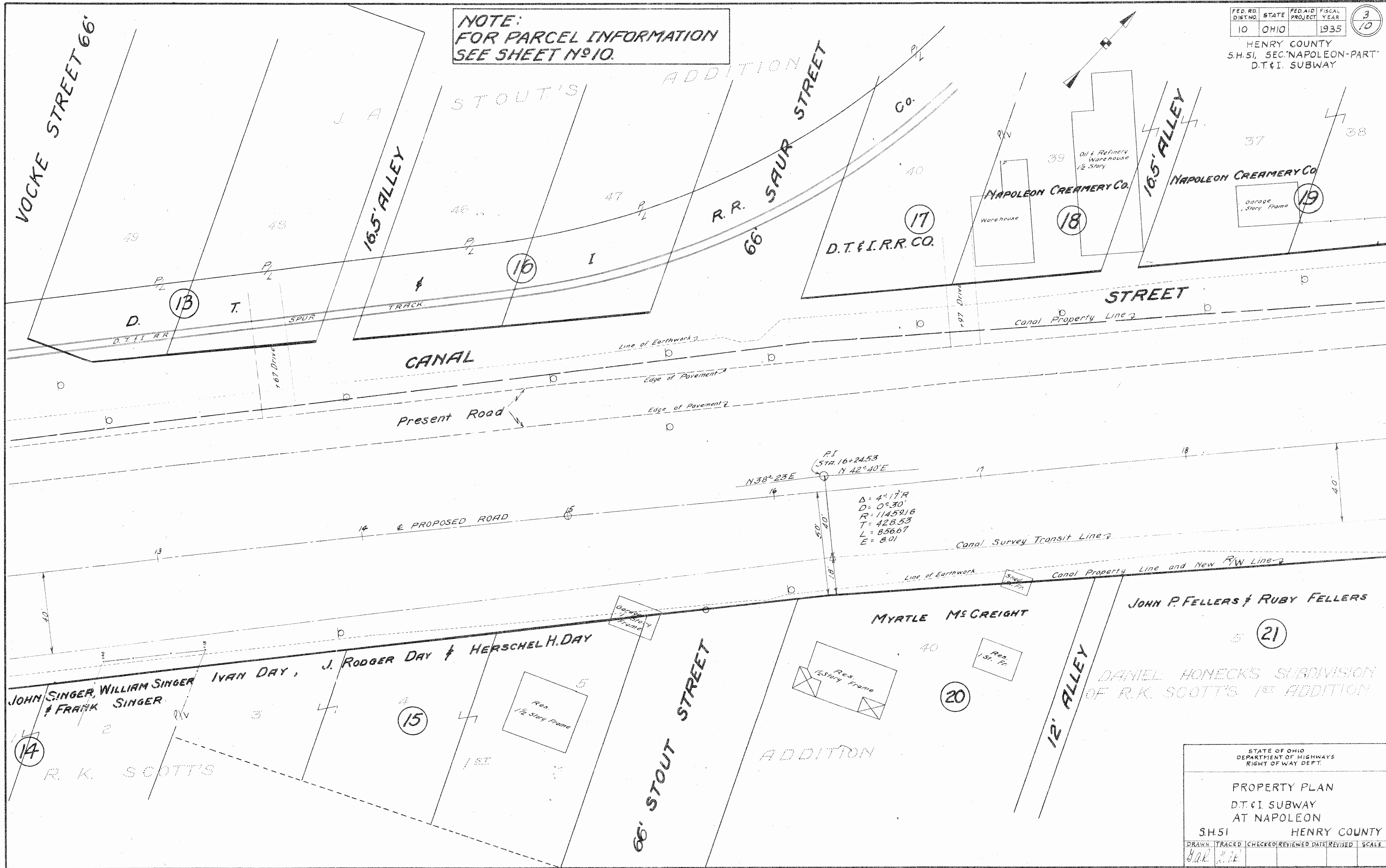
STATE OF OHIO DEPARTMENT OF HIGHWAYS RIGHT OF WAY DEPT.					
PROPERTY PLAN					
D.T. & I. R.R. SUBWAY AT NAPOLEON					
S.H. 51			HENRY COUNTY		
DRAWN	TRACED	CHECKED	REVIEWED	DATE	REVISION
Gar.	Gar.				

Scanned
March 1997

FED. RD. DIST. NO.	STATE	FED. AID PROJECT	FISCAL YEAR	3 10
10	OHIO		1935	

HENRY COUNTY
S.H. 51, SEC. NAPOLEON-PART
D.T. & I. SUBWAY

NOTE:
FOR PARCEL INFORMATION
SEE SHEET N^o 10.



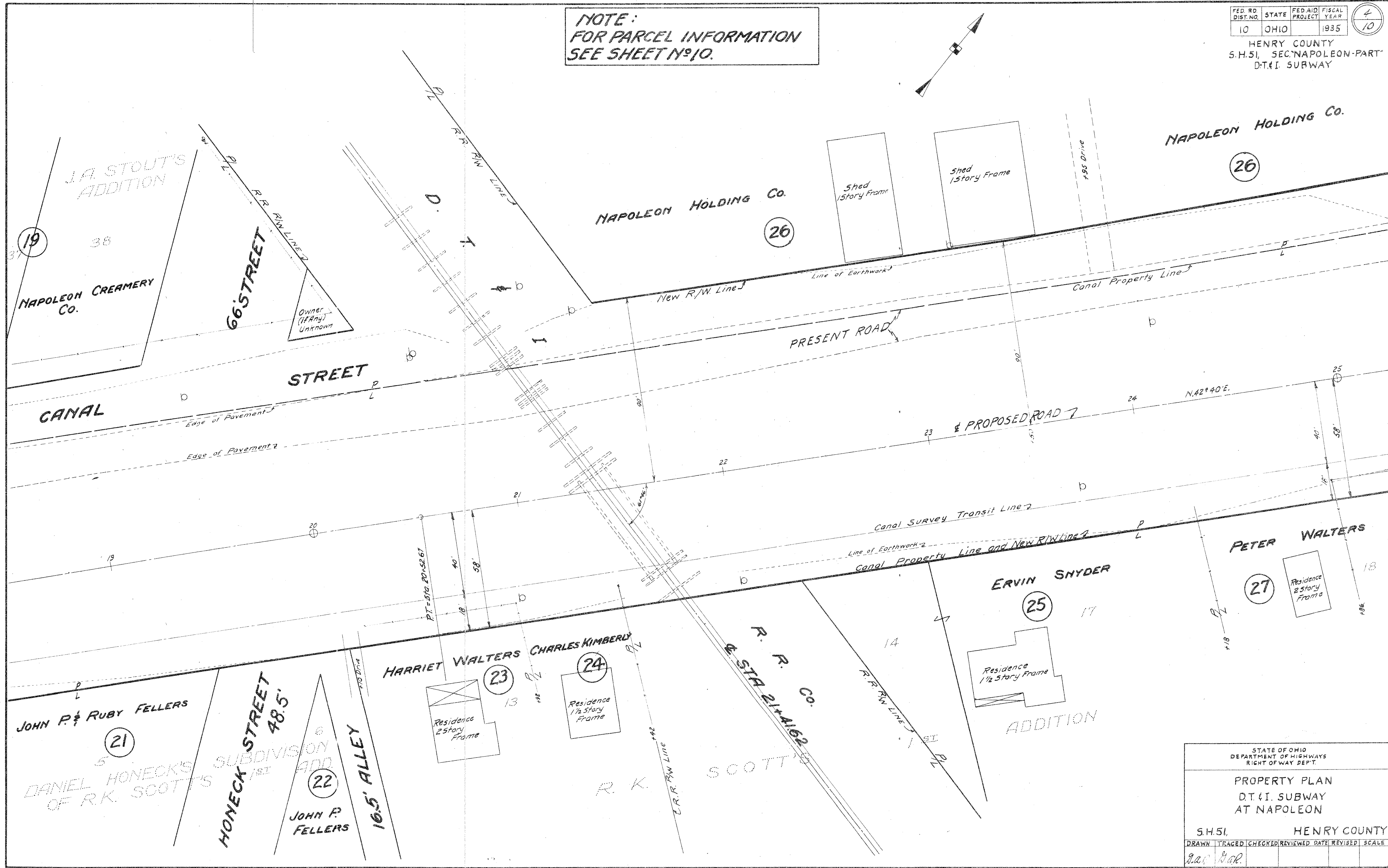
STATE OF OHIO DEPARTMENT OF HIGHWAYS RIGHT OF WAY DEPT.				
PROPERTY PLAN D.T. & I. SUBWAY AT NAPOLEON				
S.H. 51		HENRY COUNTY		
DRAWN	TRACED	CHECKED	REVIEWED	DATE REVISION
BAR

Scanned June 1917

NOTE:
FOR PARCEL INFORMATION
SEE SHEET N^o 10.

FED. RD. DIST. NO.	STATE	FED. AID PROJECT	FISCAL YEAR	4 10
10	OHIO		1935	

HENRY COUNTY
S.H.51, SEC. NAPOLEON - PART
D.T.I. SUBWAY



STATE OF OHIO DEPARTMENT OF HIGHWAYS RIGHT OF WAY DEPT.					
PROPERTY PLAN D.T.I. SUBWAY AT NAPOLEON					
S.H.51,			HENRY COUNTY		
DRAWN	TRACED	CHECKED	REVIEWED	DATE	SCALE
Jac	Gal				

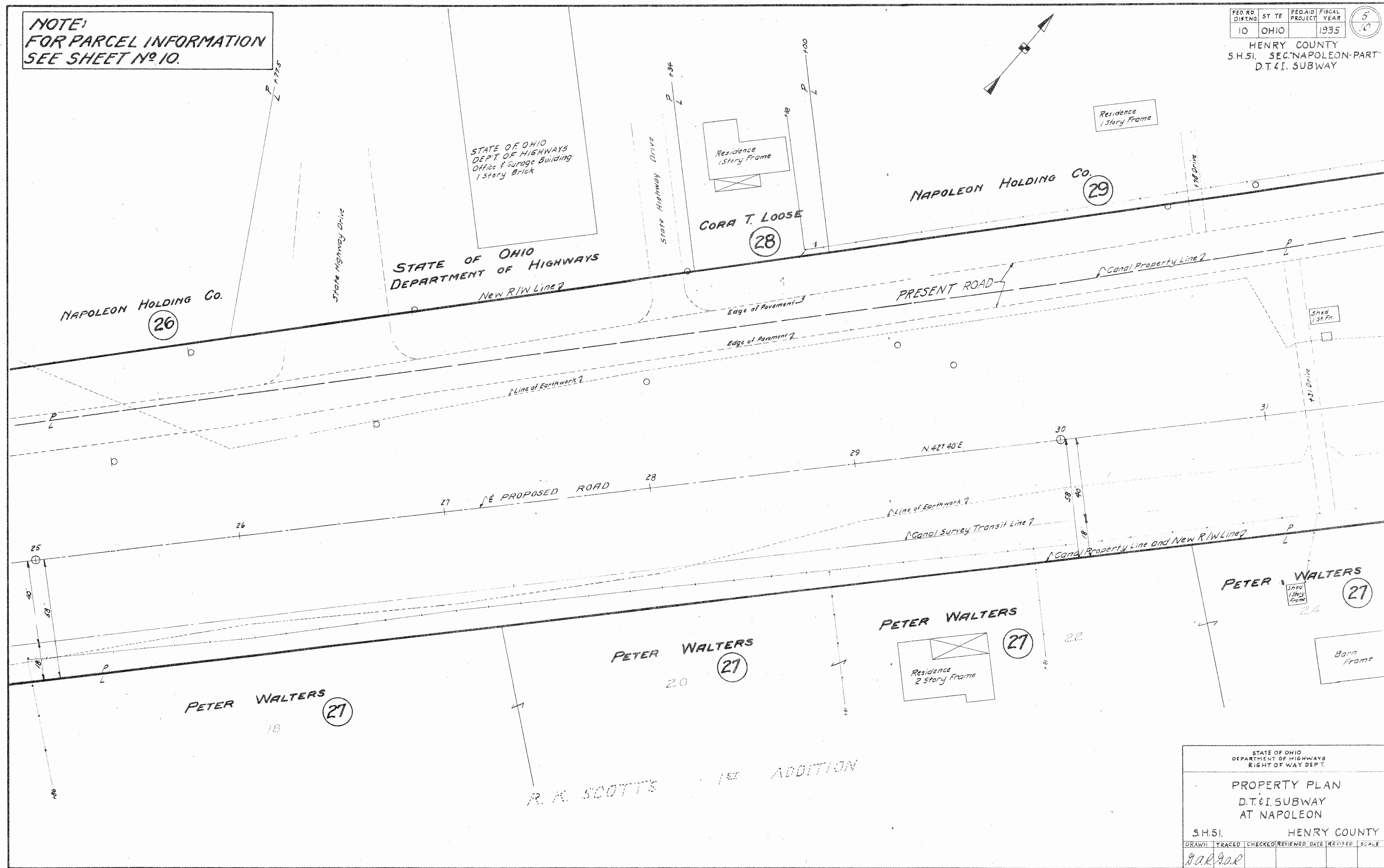
Revised
June 1997

NOTE:
FOR PARCEL INFORMATION
SEE SHEET NO 10.

FED. RD. DIST. NO.	ST. TE.	FED. AID PROJECT YEAR	FISCAL YEAR
10	OHIO		1935

5/10

HENRY COUNTY
S.H.51, SEC. NAPOLEON-PART
D.T. & I. SUBWAY



STATE OF OHIO
DEPT. OF HIGHWAYS
Office & Garage Building
1 story Brick

CORA T. LOOSE
28

NAPOLEON HOLDING CO.
29

NAPOLEON HOLDING CO.
26

STATE OF OHIO
DEPARTMENT OF HIGHWAYS
New R/W Line?

PRESENT ROAD

PROPOSED ROAD

PETER WALTERS
27

PETER WALTERS
27

PETER WALTERS
27

PETER WALTERS
27

R. K. SCOTT'S
ADDITION

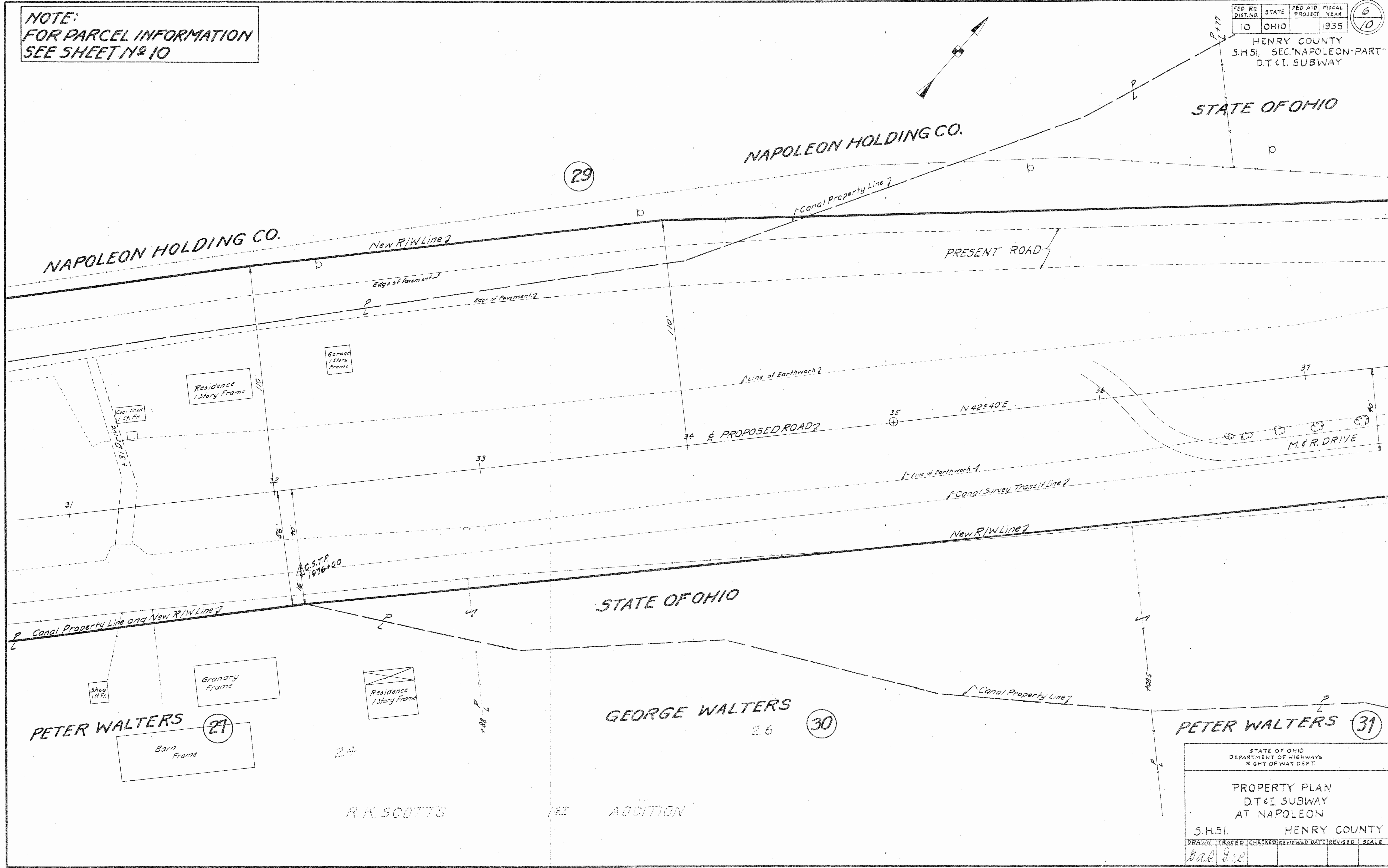
STATE OF OHIO DEPARTMENT OF HIGHWAYS RIGHT OF WAY DEPT.					
PROPERTY PLAN D.T. & I. SUBWAY AT NAPOLEON					
S.H.51,			HENRY COUNTY		
DRAWN	TRACED	CHECKED	REVIEWED DATE	REVISED	SCALE
g.a.g.a.g.					

Standard June 1937

NOTE:
FOR PARCEL INFORMATION
SEE SHEET N^o 10

FED. RD. DIST. NO.	STATE	FED. AID PROJECT	FISCAL YEAR	6 10
10	OHIO		1935	

HENRY COUNTY
S.H.51, SEC. NAPOLEON-PART
D.T.&I. SUBWAY



STATE OF OHIO DEPARTMENT OF HIGHWAYS RIGHT OF WAY DEPT.					
PROPERTY PLAN D.T.&I. SUBWAY AT NAPOLEON					
S.H.51.			HENRY COUNTY		
DRAWN	TRACED	CHECKED	REVIEWED	DATE	REVISION
G.A.P.	J.W.				
SCALE					

R.K. SCOTT'S INC. ADDITION

FED. RD. DIST. NO.	STATE	FED. AID PROJECT	FISCAL YEAR	7 10
10	OHIO		1935	

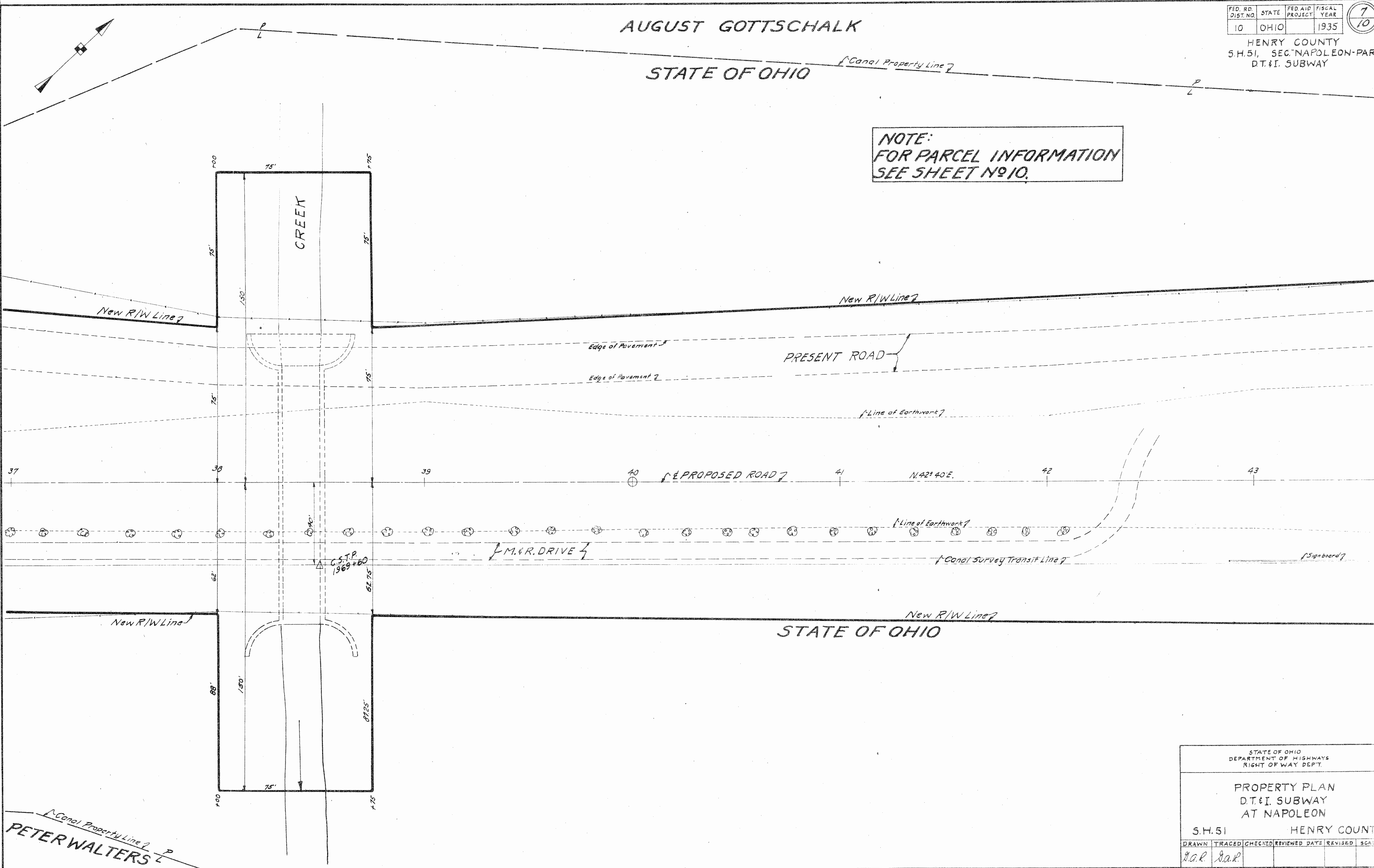
HENRY COUNTY
S.H. 51, SEC. NAPOLEON-PART
D.T. & I. SUBWAY

AUGUST GOTTSCHALK

STATE OF OHIO

Canal Property Line

NOTE:
FOR PARCEL INFORMATION
SEE SHEET NO. 10.



Scanned
June 1997

Canal Property Line
PETER WALTERS

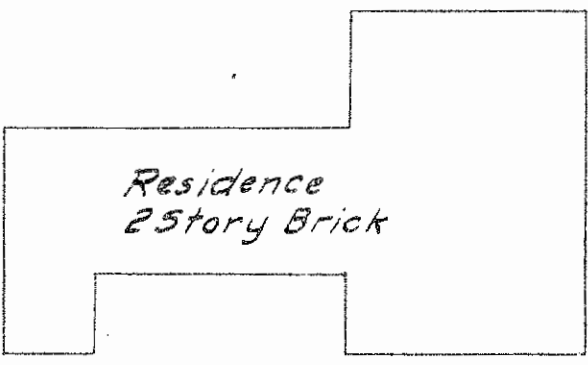
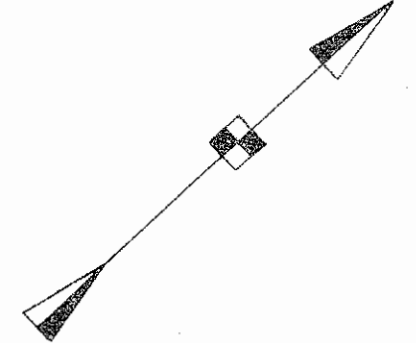
STATE OF OHIO DEPARTMENT OF HIGHWAYS RIGHT OF WAY DEPT.						
PROPERTY PLAN D.T. & I. SUBWAY AT NAPOLEON						
S.H. 51				HENRY COUNTY		
DRAWN	TRACED	CHECKED	REVIEWED	DATE	REVISED	SCALE
D.A.L.	D.A.L.					

NOTE:
FOR PARCEL INFORMATION
SEE SHEET N^o 10.

FED. RD. DIST. NO.	STATE	FED. AID PROJECT	FISCAL YEAR
10	OHIO		1935

HENRY COUNTY
S.H. 51, SEC. "NAPOLEON-PART"
D.T. & I. SUBWAY

8
10



STATE OF OHIO

AUGUST GOTTSCHALK

AUGUST GOTTSCHALK

44 45 46 47 48 49 50

STATE OF OHIO

VILLAGE OF NAPOLEON

GEORGE SWINN

STATE OF OHIO
DEPARTMENT OF HIGHWAYS
RIGHT OF WAY DEPT.

PROPERTY PLAN
D.T. & I. SUBWAY
AT NAPOLEON

S.H. 51 HENRY COUNTY

DRAWN	TRACED	CHECKED	REVIEWED DATE	REVISED	SCALE
Gal	Gal				

Scanned June 1997

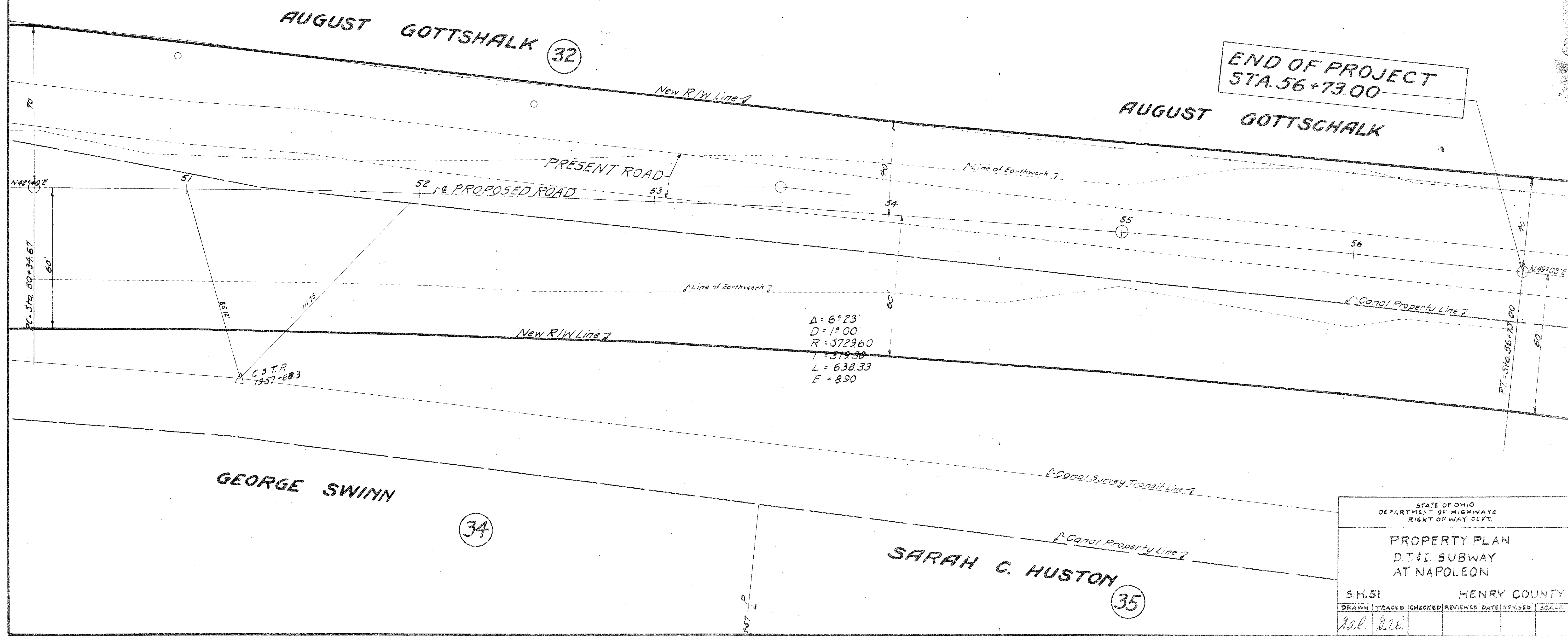
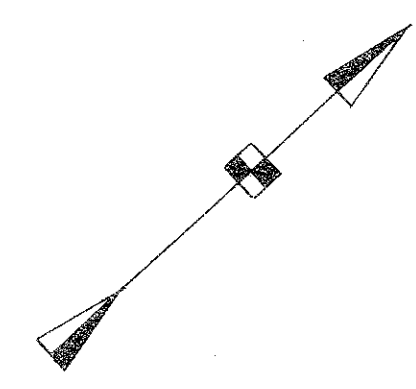
FED. RD. DIST. NO.	STATE	FED. AID PROJECT	FISCAL YEAR
10	OHIO		1935

9
10

HENRY COUNTY
S.H.51, SEC. NAPOLEON-PART
D.T.&I. SUBWAY

PARCEL NO.	OWNER	ADDRESS	OTHER INTEREST	KIND
1, 2, 10, 11, 13, 16, & 17	The Detroit, Toledo and Ironton Railroad Company	Dearborn, Michigan	The New York Trust Co. New York, N.Y. The Knickerbocker Trust Co. New York, N.Y. Clara Yackee, Administratrix, Holgate, Ohio. Estate of George Yackee Deceased	Mortgage Mortgage Pending Suit for Damages
3	Mary Yocum	Napoleon, Ohio		
4	Otto W. Meyer and Clara Meyer	Napoleon, Ohio		
5	Mary J. Sayers	Napoleon, Ohio	Home Owners Loan Corp. Washington, D.C.	Mortgage
6	Frank C. Dielman	Napoleon, Ohio	The Commercial State Bank, Napoleon, Ohio	Mortgage
7	Frances Plummer	Napoleon, Ohio		

PARCEL NO.	OWNER	ADDRESS	OTHER INTEREST	KIND
8	Lillian M. Whitaker and Flora M. Ferrey	Colton, Ohio Marshfield, Oregon		
9	George F. Scharling	Napoleon, Ohio		
12	Philip Yarnell	Napoleon, Ohio		



STATE OF OHIO
DEPARTMENT OF HIGHWAYS
RIGHT OF WAY DEPT.

PROPERTY PLAN
D.T.&I. SUBWAY
AT NAPOLEON

S.H.51 HENRY COUNTY

DRAWN	TRACED	CHECKED	REVIEWED	DATE	REVISED	SCALE
J.A.R.	J.C.C.					

Sealed
Jan 1917

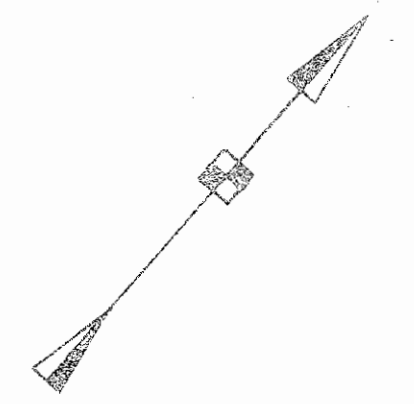
PARCEL NO.	OWNER	ADDRESS	OTHER INTEREST	KIND
14	John Singer William Singer and Frank Singer	Napoleon, Ohio	M.L. Cline, County Treasurer Napoleon, Ohio. Henry Co.	Delinquent Taxes
15	Ivan E. Day J. Rodger Day and Herschel H. Day	Edgerton, Ohio		
18				
19	Napoleon Creamery Co.	Napoleon, Ohio.		
20	Myrtle McCreight	2525 N. Erie St, Toledo, Ohio.	Napoleon State Bank of Napoleon, Ohio. M.L. Cline, County Treasurer Napoleon, Ohio. Henry Co.	Mortgage Delinquent Taxes
21	John P. Fellers and Ruby E. Fellers	Napoleon, Ohio	Napoleon State Bank of Napoleon, Ohio. Ivan E. Day, J. Rodger Day, and Herschel E. Day, Edgerton, Ohio. W.A. Case and Son Toledo, Ohio. Huron Plumbing and Supply Co. Toledo, Ohio. Fremont Stave Co. Fremont, Ohio. M.L. Cline, County Treasurer Napoleon, Ohio. Henry Co.	Mortgages Judgment Creditor Judgment Creditor Judgment Creditor Judgment Creditor Delinquent Taxes

PARCEL NO.	OWNER	ADDRESS	OTHER INTEREST	KIND
22	John P. Fellers	Napoleon, Ohio	Napoleon State Bank of Napoleon, Ohio. Ivan E. Day, J. Rodger Day, and Herschel E. Day, Edgerton, Ohio. W.A. Case and Son Toledo, Ohio. Huron Plumbing and Supply Co. Toledo, Ohio. Fremont Stave Co. Fremont, Ohio. M.L. Cline, County Treasurer Napoleon, Ohio. Henry Co.	Mortgages Mortgage Judgment Creditor Judgment Creditor Judgment Creditor Delinquent Taxes
23	Harriet Walters	Napoleon, Ohio		
24	Charles Kimberly	Napoleon, Ohio		
25	Ervin Snyder	Napoleon, Ohio	M.L. Cline, County Treasurer Napoleon, Ohio. Henry Co.	Delinquent Taxes
26	The Napoleon Holding Company W.M. F. Meyerholtz President	Napoleon, Ohio	M.L. Cline, County Treasurer Napoleon, Ohio. Henry Co.	Delinquent Taxes
27	Peter Walters	Napoleon, Ohio		
31				

PARCEL NO.	OWNER	ADDRESS	OTHER INTEREST	KIND
28	Cora T. Loose	Glendora, California	First National Bank of Napoleon, Ohio. Napoleon State Bank of Napoleon, Ohio. The State Bank of Defiance Co. Defiance, Ohio. M.L. Cline, County Treasurer Napoleon, Ohio. Henry Co.	Mortgage Judgment Creditor Judgment Creditor Delinquent Taxes
30	George Walters	Napoleon, Ohio.	M.L. Cline, County Treasurer Napoleon, Ohio. Henry Co.	Delinquent Taxes
32	August Gottschalk	Napoleon, Ohio.	Frank Flogaus, Napoleon, Ohio	Mortgage
33	Village of Napoleon	Napoleon, Ohio		
34	George Swinn	Napoleon, Ohio		
35	Sarah C. Huston	Napoleon, Ohio		

FED. RD. DIST. NO.	STATE	FED. AID PROJECT	FISCAL YEAR
10	OHIO		1935

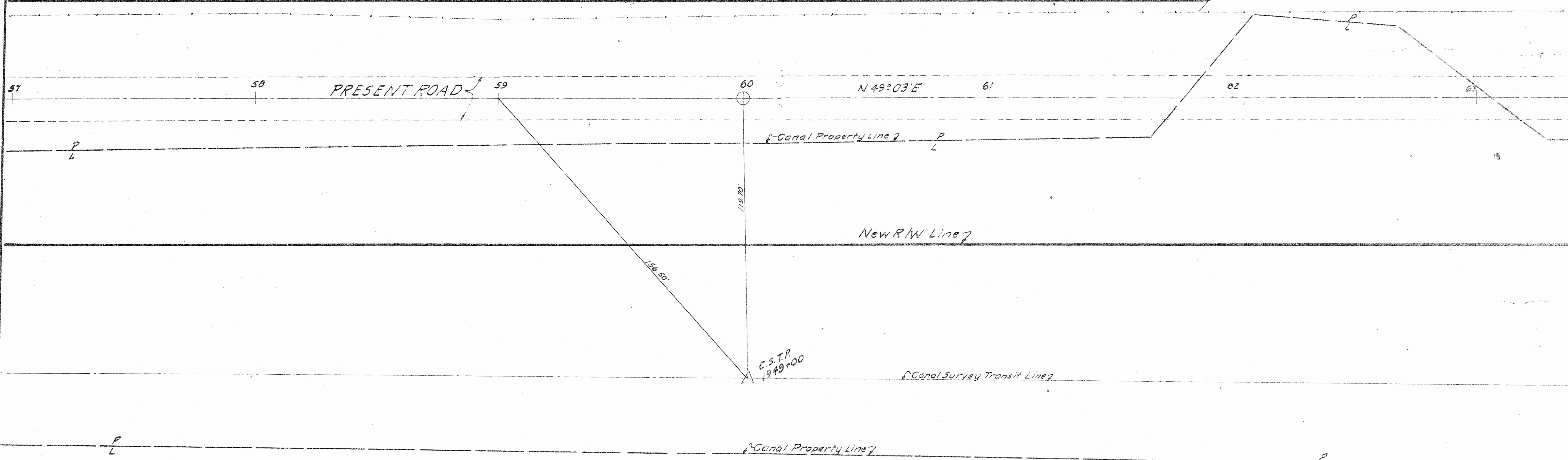
HENRY COUNTY
S.H.51 SEC. NAPOLEON-PART
D.T. II. SUBWAY



AUGUST GOTTSCHALK

32

New R/W Line 7



SARAH C. HUSTON

35

SARAH C. HUSTON

STATE OF OHIO
DEPARTMENT OF HIGHWAYS
RIGHT OF WAY DEPT.

PROPERTY PLAN
D.T. II. SUBWAY
AT NAPOLEON

S.H.51

DRAWN	TRACED	CHECKED
B.A.R.	B.A.R.	