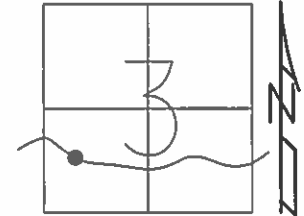


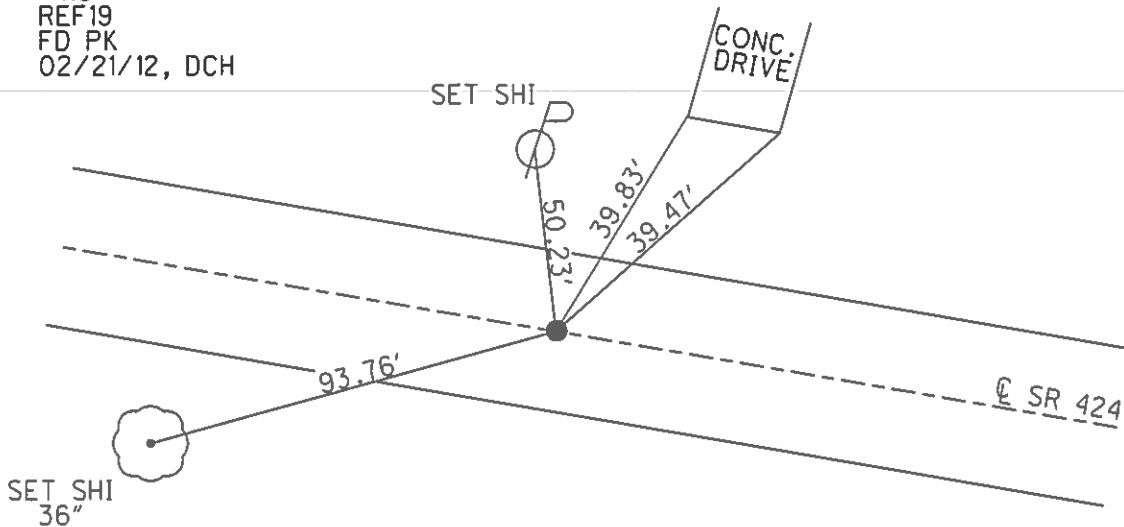
O.D.O.T. DISTRICT 2 SURVEY OFFICE (USE ONLY)

PERSONNEL	REFERENCE NO.	12-F	SHEET	18	OF	48
NOTES	HOMAN	DATE	03/07/12	ROUTE	SR 424	
H.C.	HOMAN	WEATHER	CLEAR	COUNTY	HENRY	
R.C.	ROUSOS	TEMP.	40°	TOWNSHIP	FLATROCK	
				SECTION	3	
				T	4	N
				R	6	E

TYPE MONUMENT PK/WASHER
 ON SURFACE - ~~BELOW~~ ON
~~LEFT~~ - ℄ PAV'T - ~~RIGHT~~ ON
12.2 TO RT EDGE PAVEMENT
 S.L.M. 209+58
 Grid: Northing: 610998.110 Easting: 1510452.954



RECORD:
 STA. ±210+70
 OK FD
 12/29/08
 #116
 REF19
 FD PK
 02/21/12, DCH



O.D.O.T. DISTRICT 2 SURVEY OFFICE

PERSONNEL _____

REFERENCE NO. 12-F

SHEET 18 OF 43

NOTES Hoffman

H.C. Loehrer

DATE 4-3-91

ROUTE SR 424

R.C. Brewster

WEATHER Cloud

COUNTY Henry

TEMP. 40°

TOWNSHIP FLATROCK

SECTION 3

Set P.K./WASHER
5-23-9
C.L.

T4 N R 6 E

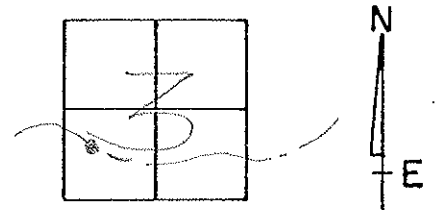
TYPE MONUMENT P.K./WASHER

ON SURFACE - BELOW YES

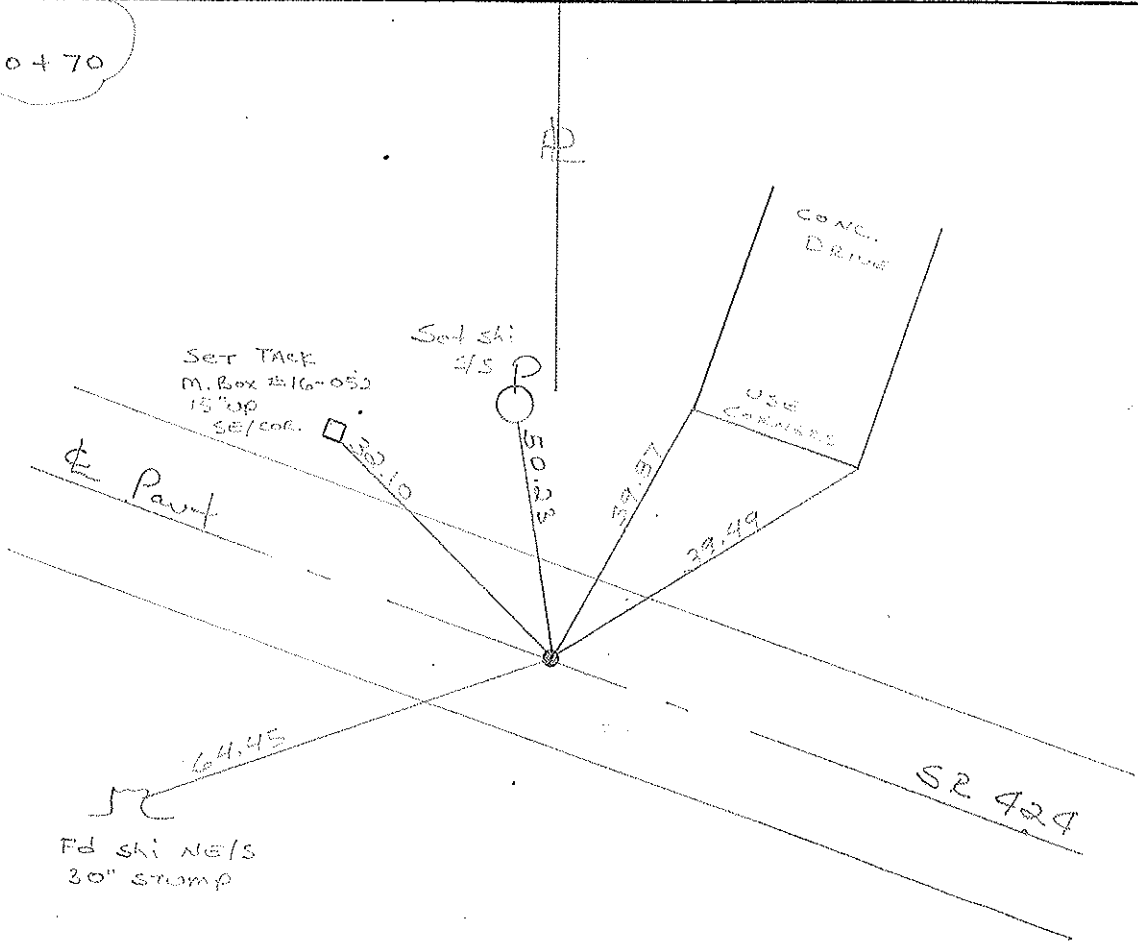
LEFT- & PAV'T. - RIGHT YES

12.2 TO RT EDGE PAVEMENT

S.L.M. 209+58



RECORD!
Sta. ±210+70



County Henry S.R. 424

Date 6-17-81

Township Flat Rock

Weather clear

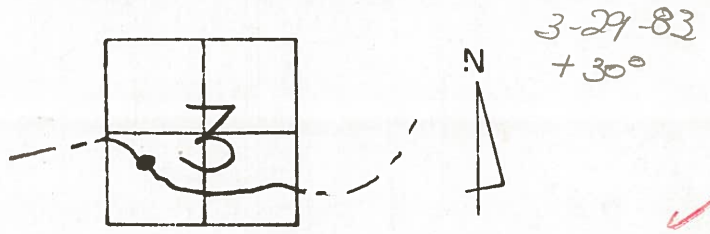
Section 3

Temp. +80°

T4N, R6E

Personnel Hoffman
Householder

12-F



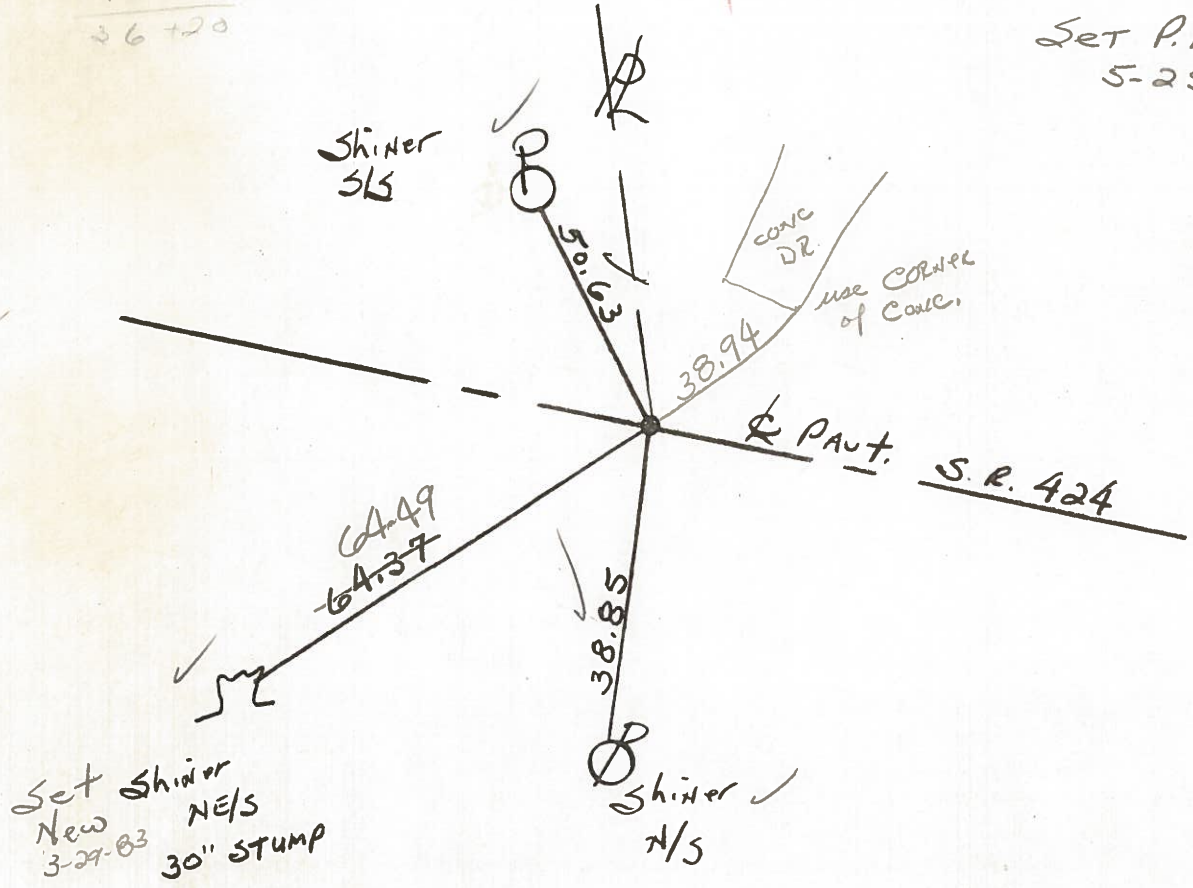
Fd. P.K. Nail @ surface
@ ctr. of PAUT. SR 424

SLM 210+00

RT EP 11.7
LT EP 12.2

STA ± 210+70 - REC
174+50
36+20

Set P.K. / WASHER
5-25-83 SWN



PERSONNEL	TITLE	PERSONNEL	TITLE
Tomsic			
Newser			
Granata			
Janyp			

COUNTY HENRY DATE MAY 28, 1974
 S. R. 424 WEATHER _____
 SEC. _____ TEMP. _____

DESCRIPTION _____ LEFT _____ CENTER LINE _____ RIGHT _____ JOB NO. _____

