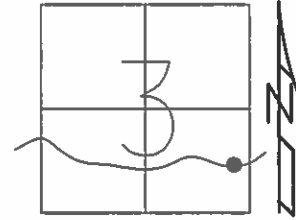


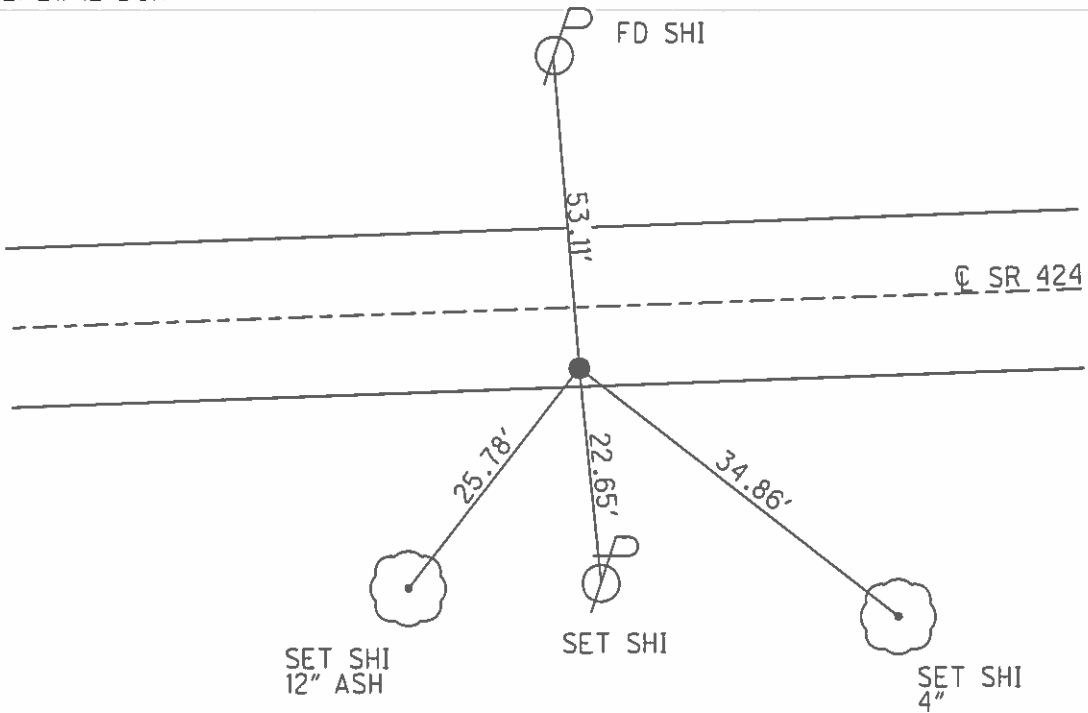
O.D.O.T. DISTRICT 2 SURVEY OFFICE (USE ONLY)

PERSONNEL _____ REFERENCE NO. 12-J SHEET 23 OF 48
 NOTES HOMAN DATE 03/07/12 ROUTE SR 424
 H.C. HOMAN WEATHER CLEAR COUNTY HENRY
 R.C. ROUSOS TEMP. 45° TOWNSHIP FLATROCK
 _____ SECTION 3
 _____ T 4 N R 6 E

TYPE MONUMENT _____ PK/WASHER _____
~~ON SURFACE~~ - BELOW 2"
~~LEFT - C PAV'T~~ - RIGHT 9.1
3.3 TO RT. EDGE PAVEMENT
 S.L.M. 245+57
 Grid: Northing: 610772.551 Easting: 1514001.157



RECORD:
 STA. 245+57
 FD PK 2" DEEP
 12/29/08
 #121
 REF 24
 FD PK
 02/21/12 DCH



O.D.O.T. DISTRICT 2 SURVEY OFFICE

PERSONNEL

REFERENCE NO. 12-J

SHEET 23 OF 43

NOTES Hoffman

H.C. Loehner

DATE 4-3-91

ROUTE SR 424

R.C. Barnhill

WEATHER CLEAR

COUNTY HENRY

TEMP. 40°

TOWNSHIP FLATROCK

SECTION 3

SET
P.K. / WASHER

T4 N R 6 E

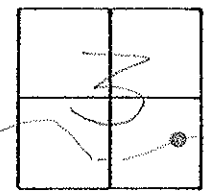
TYPE MONUMENT P.K. / WASHER

5-23-91

ON SURFACE - BELOW YES

C.L.

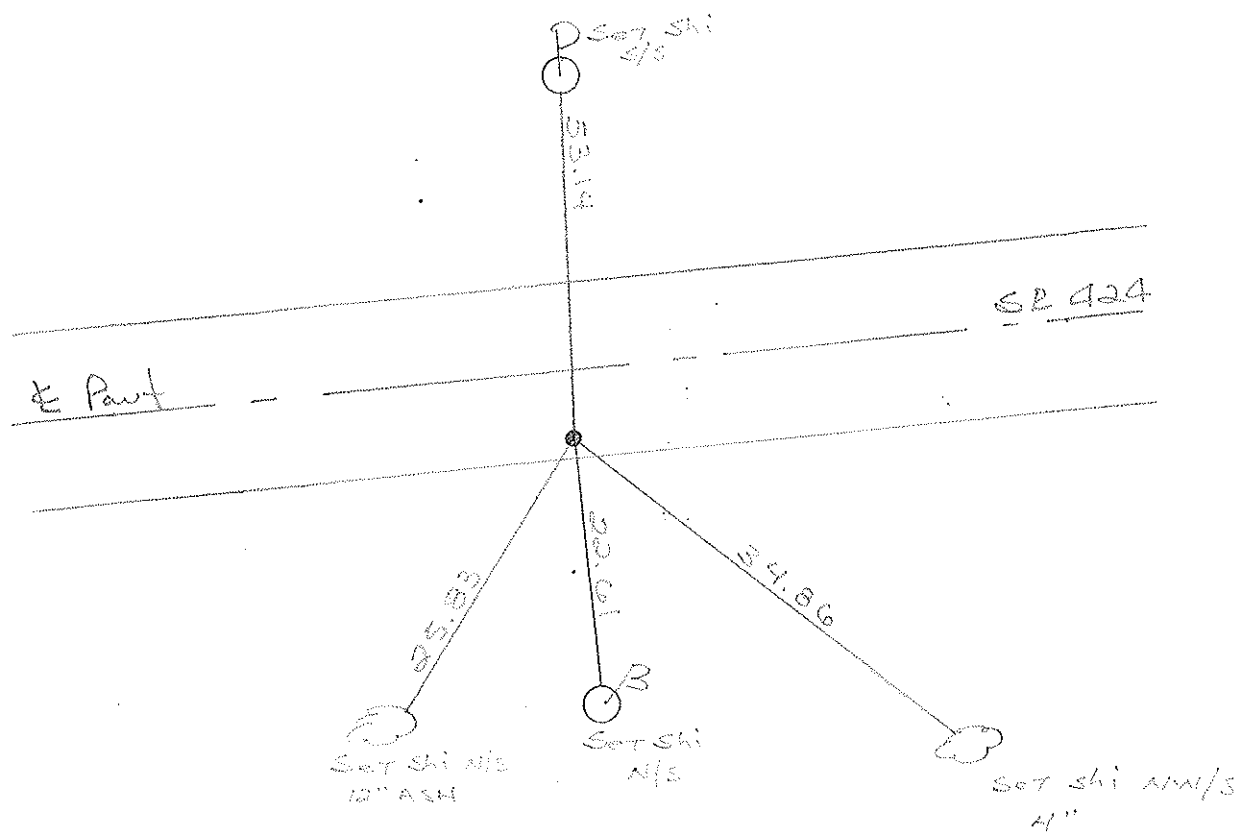
LEFT- & PAV'T. - RIGHT 9.1



3.3 TO RT. EDGE PAVEMENT

S.L.M. 245+57

RECORD!
Sta. 245+88.81



County HENRY S.R. 424

Township FLAT ROCK

Section 3

T4N, R6E

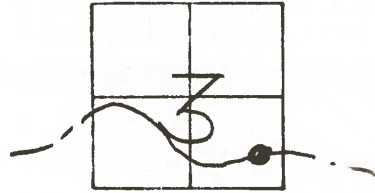
Personnel Hoffman
Householder

Date 6-18-81

Weather Clear

Temp. +80°

12-3



3-29-83

+30°

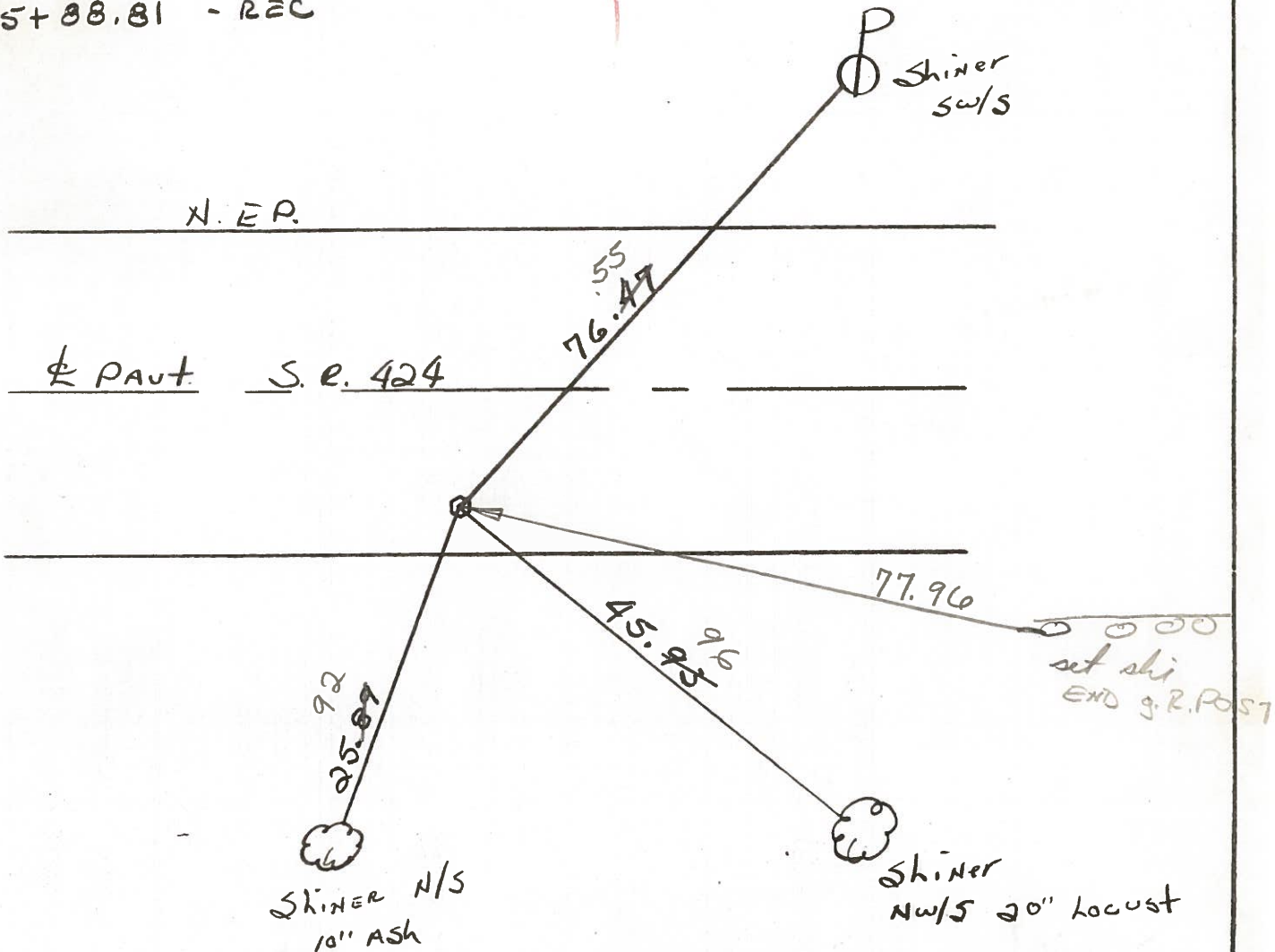
Fd. R.R. SPIK @ SURFACE
9.6' Et. of & S.R. 424
2.0' to S. Edge PAUT.
21.6' to N. Edge PAUT.

SLM 246+00

Set PK/WASHER
5-31-83
SWK



STA 245+88.81 - REC



DESCRIPTION LEFT CENTER LINE RIGHT JOB NO.

9.0 R to f &
 21.4 TO N EP
 2' TO S EP

