

O.D.O.T. DISTRICT 2 SURVEY OFFICE (USE ONLY)

PERSONNEL

REFERENCE NO. 16 A

SHEET 29 OF 29

NOTES LOEHRKE  
 H.C. CANTERBURY  
 R.C. VOGEL

DATE 4/1/94  
 WEATHER NICE  
 TEMP. 48°

ROUTE SR 2  
 COUNTY LUCAS  
 TOWNSHIP SPRINGFIELD  
 SECTION 20  
 T 7 N R 10 E

DWG BY RHOADES PID 88525

TYPE MONUMENT MONBOX W/1" IPIN

ON SURFACE - ~~BELOW~~ ON

OFFSET ☉ PAVEMENT ON LT : RT  
25' TO RT EDGE PAVEMENT

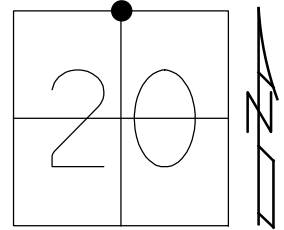
STATION: 430+49.34

HORIZ.DATUM: NAD83 2011

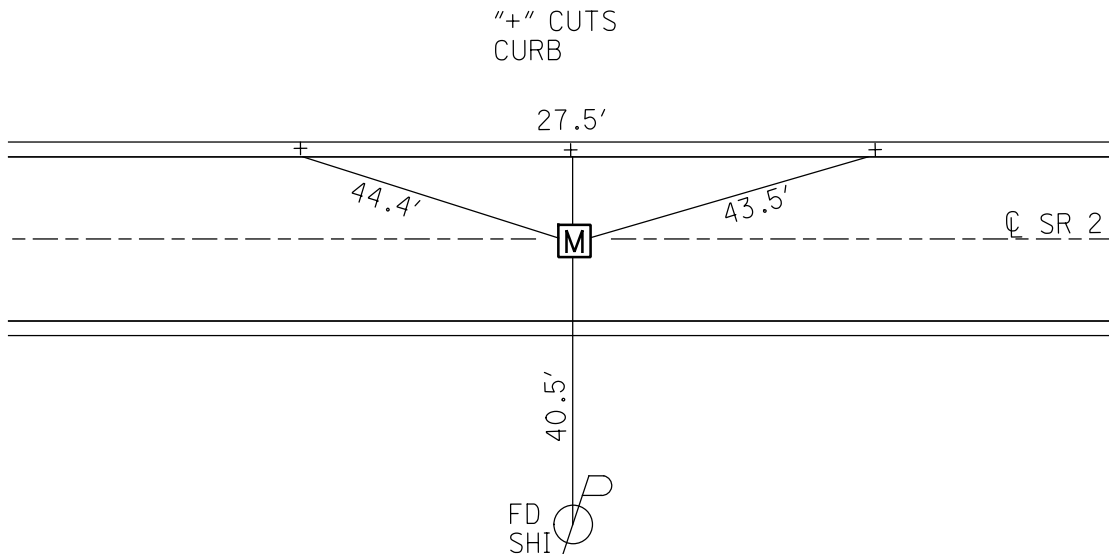
GEOID: NAVD88 2012A

GRID: NORTHING: 710533.207

EASTING: 1631460.882



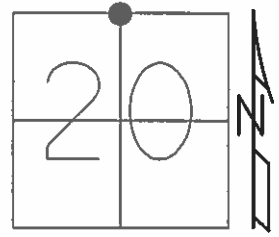
RECORD: P.I.  
 STA. 431+05.10  
 FD MONBOW  
 W/ 1" IPIN  
 4/1/94, CL  
 REFA16  
 2/11/15, EBW



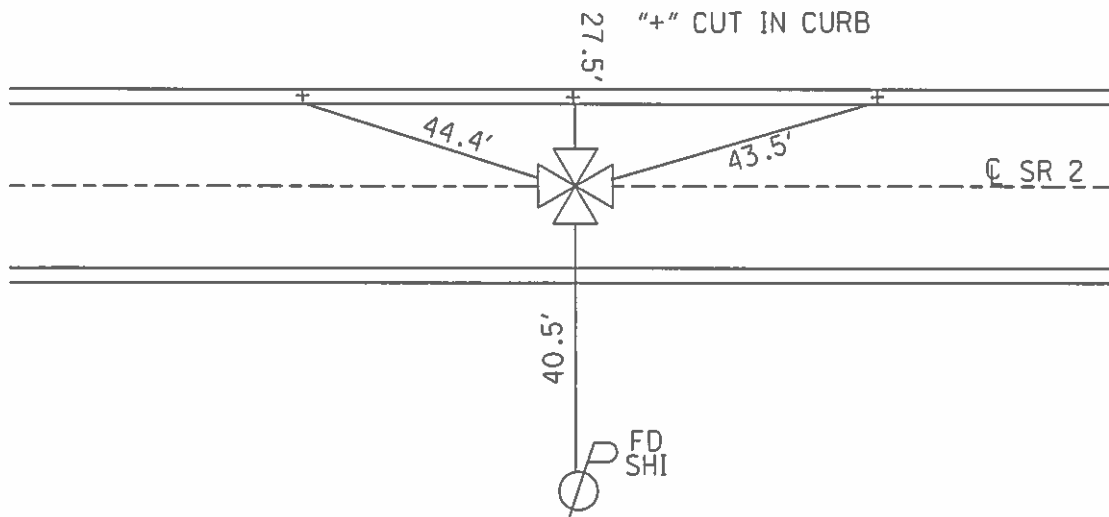
O.D.O.T. DISTRICT 2 SURVEY OFFICE (USE ONLY)

PERSONNEL	REFERENCE NO.	A 16	SHEET	29	OF	31
NOTES	LOEHRKE	DATE	4/1/94	ROUTE	SR 2	
H.C.	CANTERBURY	WEATHER	NICE	COUNTY	LUCAS	
R.C.	VOGEL	TEMP.	48°	TOWNSHIP	SPRINGFIELD	
				SECTION	20	
				T 7 N	R 10 E	

TYPE MONUMENT MON BOX  
 ON SURFACE - ~~BELOW~~ ON  
~~LEFT~~ - CL PAV'T - ~~RIGHT~~ ON  
25' TO RT EDGE PAVEMENT  
 S.L.M. 430+49.34  
 GRID: NORTHING: 710533.207 EASTING: 1631460.882



RECORD: P.I.  
 STA. 431+05.10  
 FD 1" IPIN  
 REFA16  
 2/11/15



O.D.O.T. DISTRICT 2 SURVEY OFFICE

PERSONNEL

REFERENCE NO. 16-A

SHEET 16 OF 25

NOTES LOEHRKE

H.C. CANTERBURY

R.C. VOGEL

DATE 4-1-94

WEATHER Nice

TEMP. +48

ROUTE S.R. 2

COUNTY LUCAS

TOWNSHIP SPRINGFIELD

SECTION 20

T. 7 N. R. 10 E

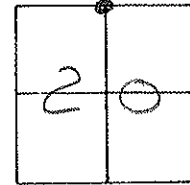
TYPE MONUMENT MON. BOX

ON SURFACE - BELOW YES

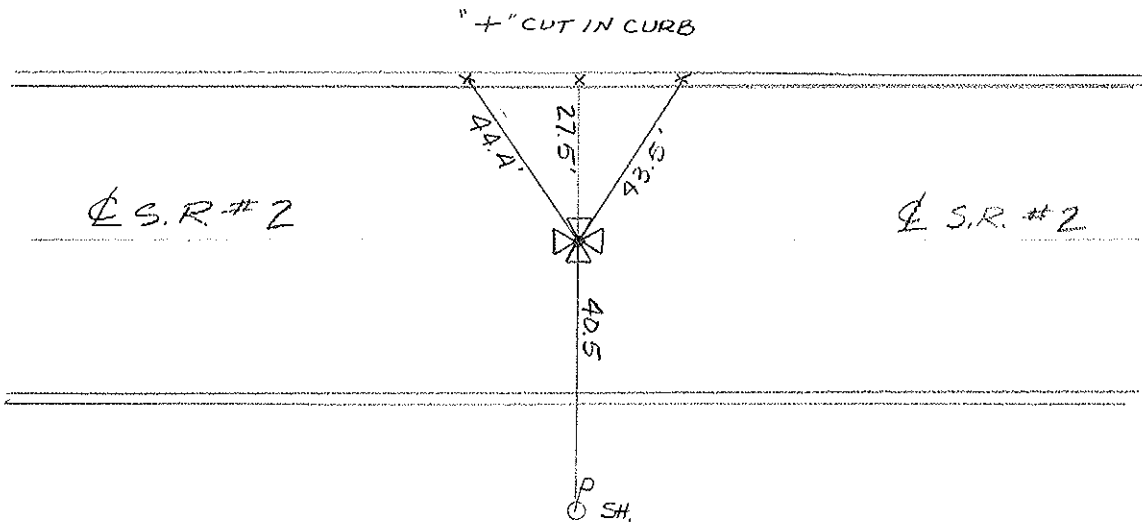
~~LEFT~~ - ~~Q~~ PAV'T. - RIGHT Yes

25 TO Rt EDGE PAVEMENT

S.L.M. 430+29

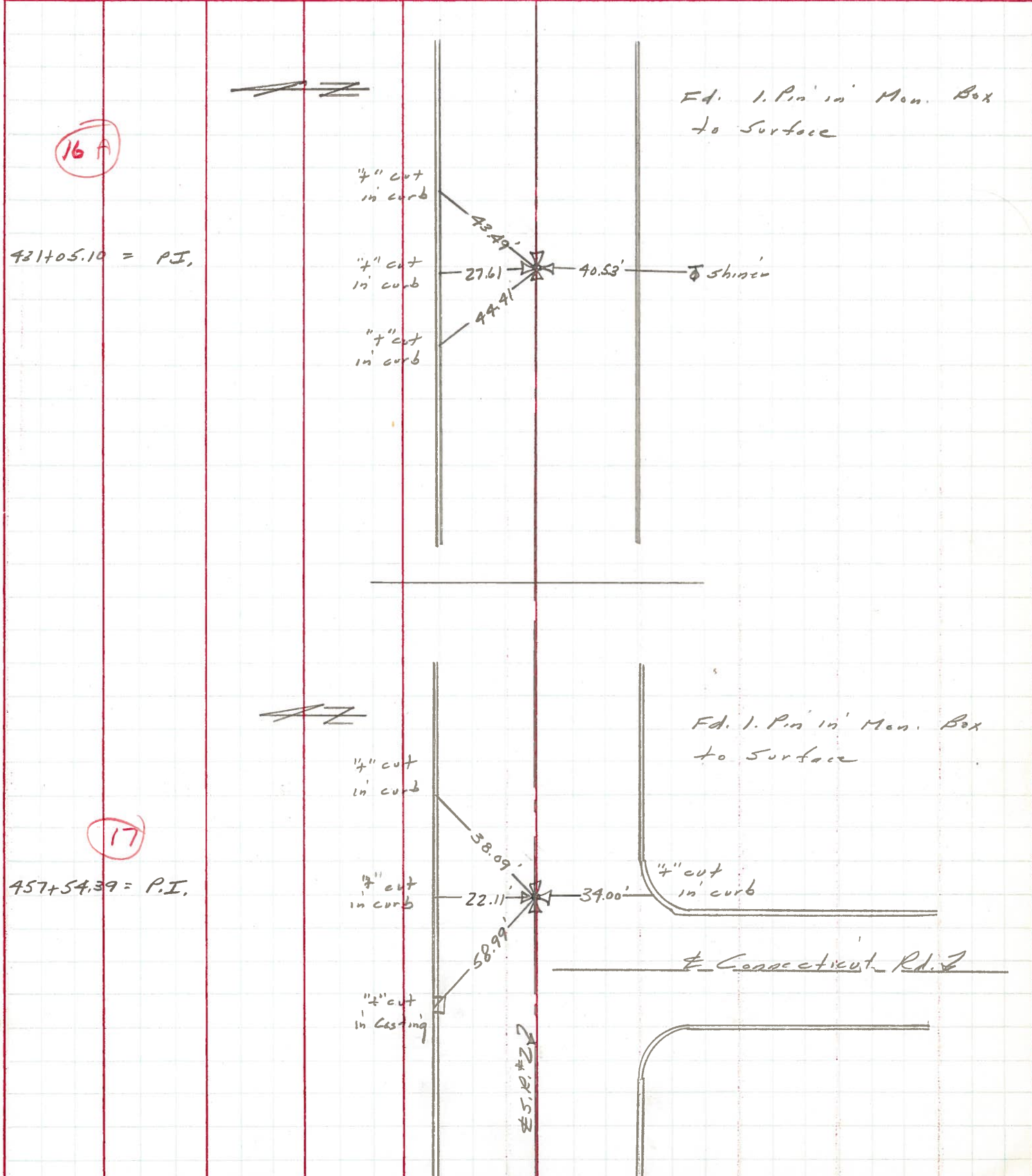


REC. 431+05.10 P.I.



PERSONNEL	TITLE	PERSONNEL	TITLE	COUNTY	DATE
Stone		Bridley		Lucas	14 June 71
Michalak				S. R. #2	WEATHER Fair
Schroder				SEC. Crissey Rd. - East	TEMP. 66°
Farr					

DESCRIPTION References to Control Points JOB NO. \_\_\_\_\_



PERSONNEL	TITLE	PERSONNEL	TITLE	COUNTY <u>Lucas</u>	DATE <u>9-20-57</u>
					<u>Bowerman 5-1-58</u>
				S. R. <u>#2</u>	WEATHER
				SEC.	TEMP.

DESCRIPTION	LEFT	CENTER LINE	RIGHT	JOB NO.
Sta. 99+34.30 man. - Rod in conc. - Set P.K.	#131 (15)		N.W. to near car, top conc. blk. porch fan. 88.62'	
			E.S.E. to P.W. man. 72.13'	
			E.N.E. to P.W. man. 72.50'	
			S.E. to shiner in 30" walnut 37.22'	
			S.E. to witness man. 51.33'	
			N.E. to witness man. 40.48'	
Sta. 112+89.00 Alben Rd. man. - Iron rod in conc. - Set P.K.	#132 (16)		N.E. to bot. conc. blk. store fan. 52.57'	
			N.W. to point of V. in Co. B.M. 52.70'	
			S.W. to + in East end pump island. 79.94'	
Sta. 126+07.22 set shiner from ref. - Set P.K.	#133 (16-A)		N.W. to shiner in 24" maple 45.09'	
			S. to shiner in P.P. 29.13'	
			N. to shiner in T.P. 28.93'	
Sta. 152+58.77 man. - Set P.K. N.E. cor. sec. 20	#134 (26) (17)		N.E. to iron A.P. West side of ch. 57.75'	
			N.W. to iron A.P. East side of gate 76.24'	
			N. to witness man. 30.85'	
			S. to witness man. 28.38'	
			N.E. to witness man. 50.85'	