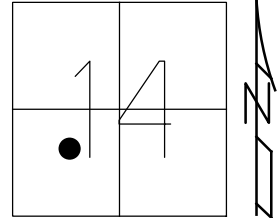


O.D.O.T. DISTRICT 2 SURVEY OFFICE (USE ONLY)

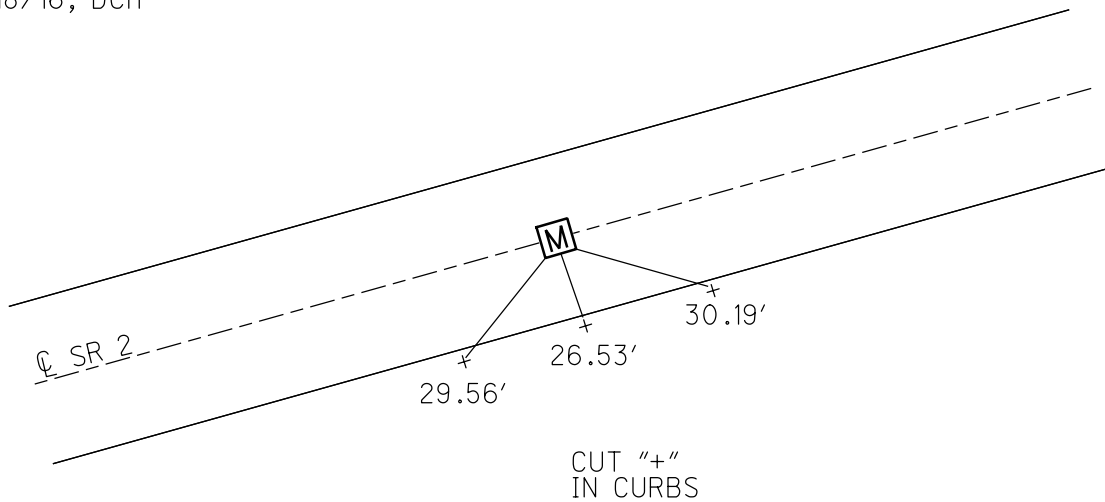
PERSONNEL \_\_\_\_\_ REFERENCE NO. 20 A SHEET 13 OF 18  
NOTES HOMAN DATE 8/8/07 ROUTE SR 2  
H.C. ROUSOS WEATHER SUNNY COUNTY LUCAS  
R.C. HOUESHELL TEMP. 85° TOWNSHIP \_\_\_\_\_  
SECTION 14  
DWG BY RHOADES PID 94724 T 2 USR

TYPE MONUMENT MONBOX W/IPIN  
ON SURFACE - ~~BELOW~~ ON  
OFFSET  $\varnothing$  PAVEMENT - LT : RT  
- TO - EDGE PAVEMENT  
STATION: 578+89.25



HORZ.DATUM: NAD83 2011 GEOID: NAVD88 2012A  
GRID: NORTHING: 711906.284 EASTING: 1646057.682

RECORD: P.I.  
STA. 578+89.9  
FD MONBOX  
W/IPIN  
6/15/71, I.S.  
SV8  
8/8/07, DCH  
FD MONBOX  
W/IPIN  
CNPT3  
4/18/16, DCH



O.D.O.T. DISTRICT 2 SURVEY OFFICE (USE ONLY)

PERSONNEL \_\_\_\_\_

REFERENCE NO. 20A

SHEET 2 OF 5

NOTES HOMAN

DATE 08-08-07

ROUTE SR 2

H.C. ROUSOS

WEATHER SUNNY

COUNTY LUCAS

R.C. HOUDSHELL

TEMP. +85°

TOWNSHIP \_\_\_\_\_

VIETH

SECTION \_\_\_\_\_

T    N R    E

TYPE MONUMENT I.P. MON. BOX

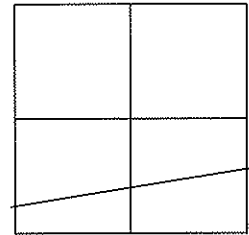
ON SURFACE - ~~BELOW~~ ON SURFACE

LEFT - ☐ PAV'T - RIGHT \_\_\_\_\_

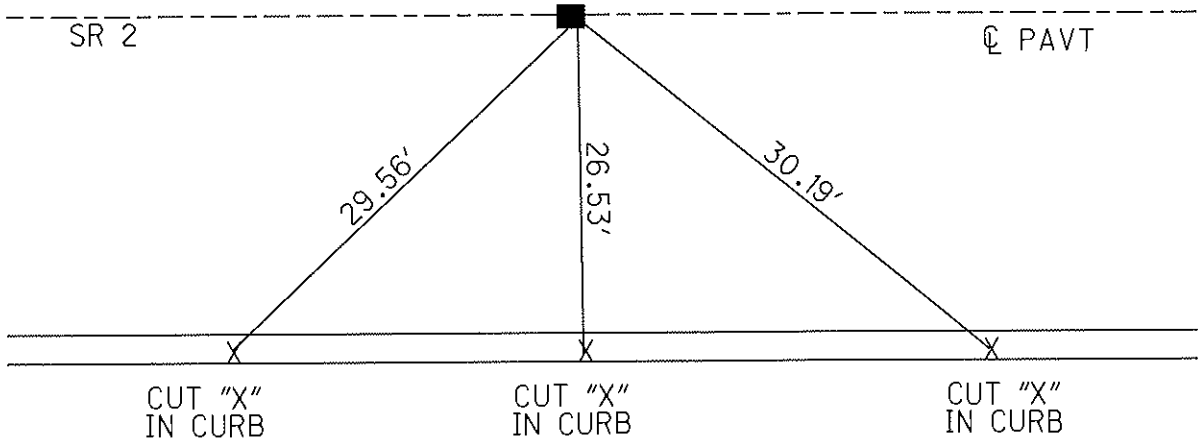
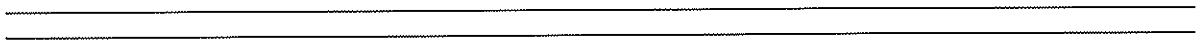
\_\_\_\_\_ TO \_\_\_\_\_ EDGE PAVEMENT

S.L.M. PI 578+89.80 (SV8)

GPS Northing=711906.338 Easting=1646057.753



FD. I.P. MON. BOX  
06-15-71



PERSONNEL	TITLE	PERSONNEL	TITLE	COUNTY	DATE	WEATHER	TEMP.
Stone		Brindley		Lucas	15 June 71	Fair	69°
Michalak				S. R. #2			
Schroder				SEC. I-475 - East			
Farr							

DESCRIPTION References to Control Points JOB NO. \_\_\_\_\_

LEFT CENTER LINE RIGHT

