

O.D.O.T. DISTRICT 2 SURVEY OFFICE (USE ONLY)

PERSONNEL

REFERENCE NO. 20 B

SHEET 14 OF 18

NOTES HOMAN

DATE 8/8/07

ROUTE SR 2

H.C. ROUSOS

WEATHER SUNNY

COUNTY LUCAS

R.C. HOUDSHELL

TEMP. 85°

TOWNSHIP _____

VIETH

SECTION 14

DWG BY RHOADES

PID -

T 2 USR

TYPE MONUMENT MONBOX W/IPIN

ON SURFACE - ~~BELOW~~ ON

OFFSET Q PAVEMENT ON LT : RT

- TO - EDGE PAVEMENT

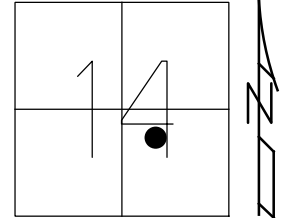
STATION: 598+91

HORZ. DATUM: -

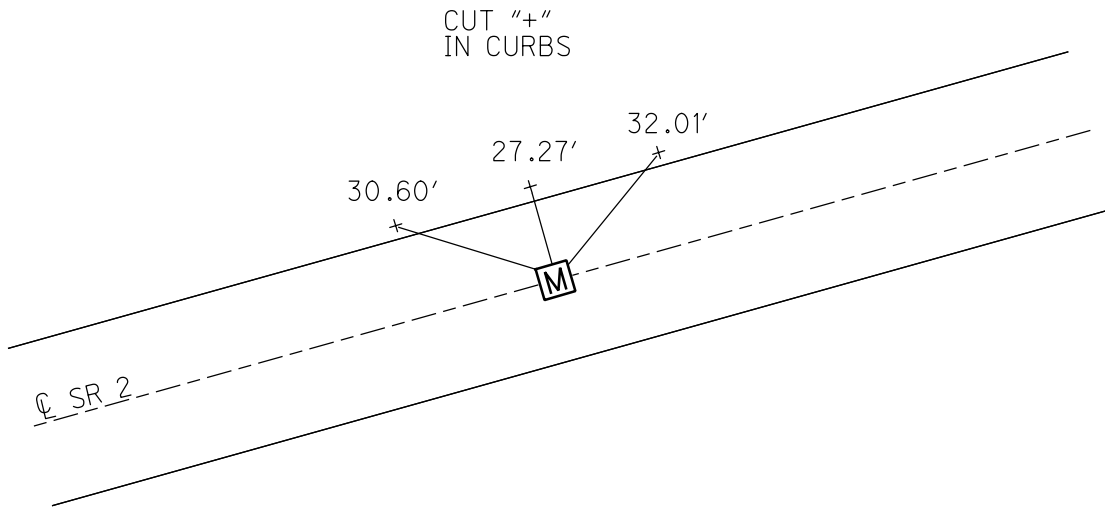
GEOID: -

GRID: NORTHING: 712438.783

EASTING: 1647987.308



RECORD: T.S.
 STA. 598+91.69
 FD MONBOX
 W/IPIN
 6/15/71, I.S.
 SV849
 8/8/07, DCH



O.D.O.T. DISTRICT 2 SURVEY OFFICE (USE ONLY)

PERSONNEL

REFERENCE NO. 20B

SHEET 3 OF 5

NOTES HOMAN

DATE 08-08-07

ROUTE SR 2

H.C. ROUSOS

WEATHER SUNNY

COUNTY LUCAS

R.C. HOUESHELL

TEMP. +85°

TOWNSHIP _____

VIETH

SECTION _____

T__N R__E

TYPE MONUMENT I.P. MON. BOX

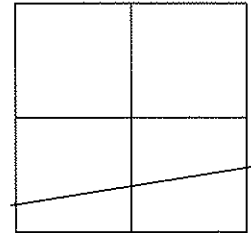
ON SURFACE - ~~BELOW~~ ON SURFACE

LEFT - C PAV'T - RIGHT _____

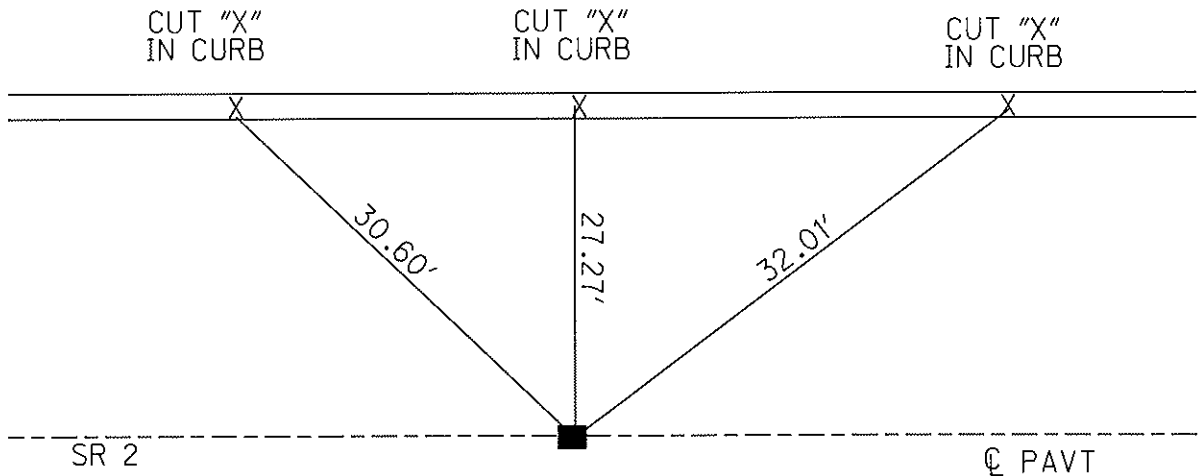
_____ TO _____ EDGE PAVEMENT

S.L.M. _____ TS 598+91.69 (SV849)

GPS Northing=712438.783 Easting=1647987.308



FD. I.P. MON. BOX
06-15-71



PERSONNEL	TITLE	PERSONNEL	TITLE	COUNTY	Lucas	DATE	15 June 71
Stone		Brindley		S. R.	#2	WEATHER	Fair
Michalak				SEC.	I-475 - East	TEMP.	69°
Schroder							
Farr							

DESCRIPTION References to Control Points JOB NO. _____

