

O.D.O.T. DISTRICT 2 SURVEY OFFICE (USE ONLY)

PERSONNEL

REFERENCE NO. 20 C

SHEET 15 OF 18

NOTES HOMAN

DATE 8/8/07

ROUTE SR 2

H.C. ROUSOS

WEATHER SUNNY

COUNTY LUCAS

R.C. HOUDESHELL  
VIETH

TEMP. 85°

TOWNSHIP \_\_\_\_\_

DWG BY RHOADES

PID 94724

SECTION 14

T 2 USR

TYPE MONUMENT MONBOX W/IPIN

ON SURFACE - ~~BELOW~~ ON

OFFSET Q PAVEMENT - LT : RT

5.5' TO LT EDGE PAVEMENT

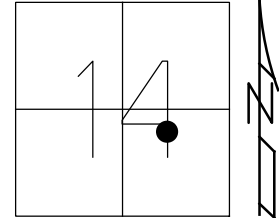
STATION: 603+23

HORZ. DATUM: -

GEOID: -

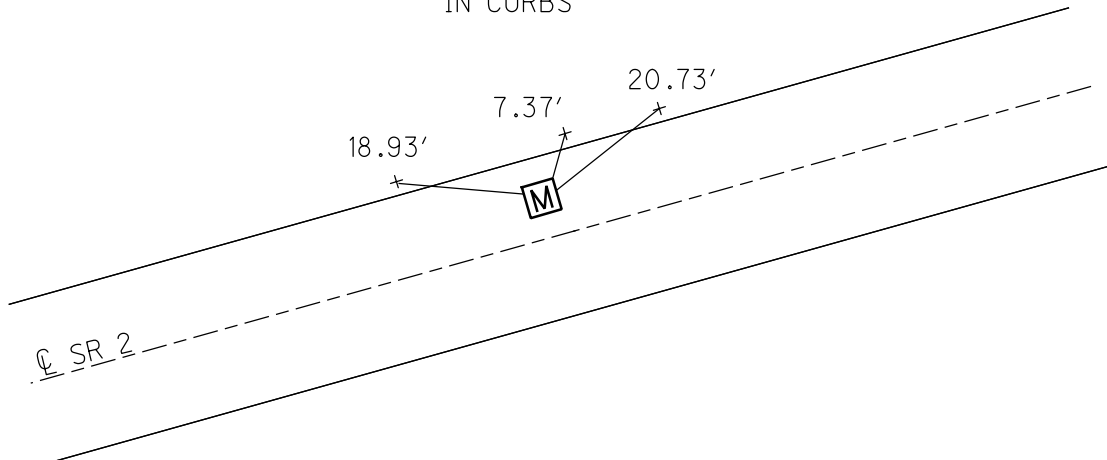
GRID: NORTHING: 712553.518

EASTING: 1648402.876



RECORD: P.I.  
STA. 603+22.94  
FD MONBOX  
W/IPIN  
6/15/71, I.S.  
SV848  
8/8/07, DCH

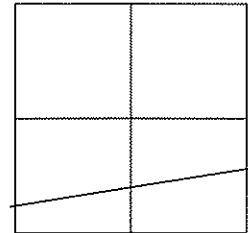
CUT "+"  
IN CURBS



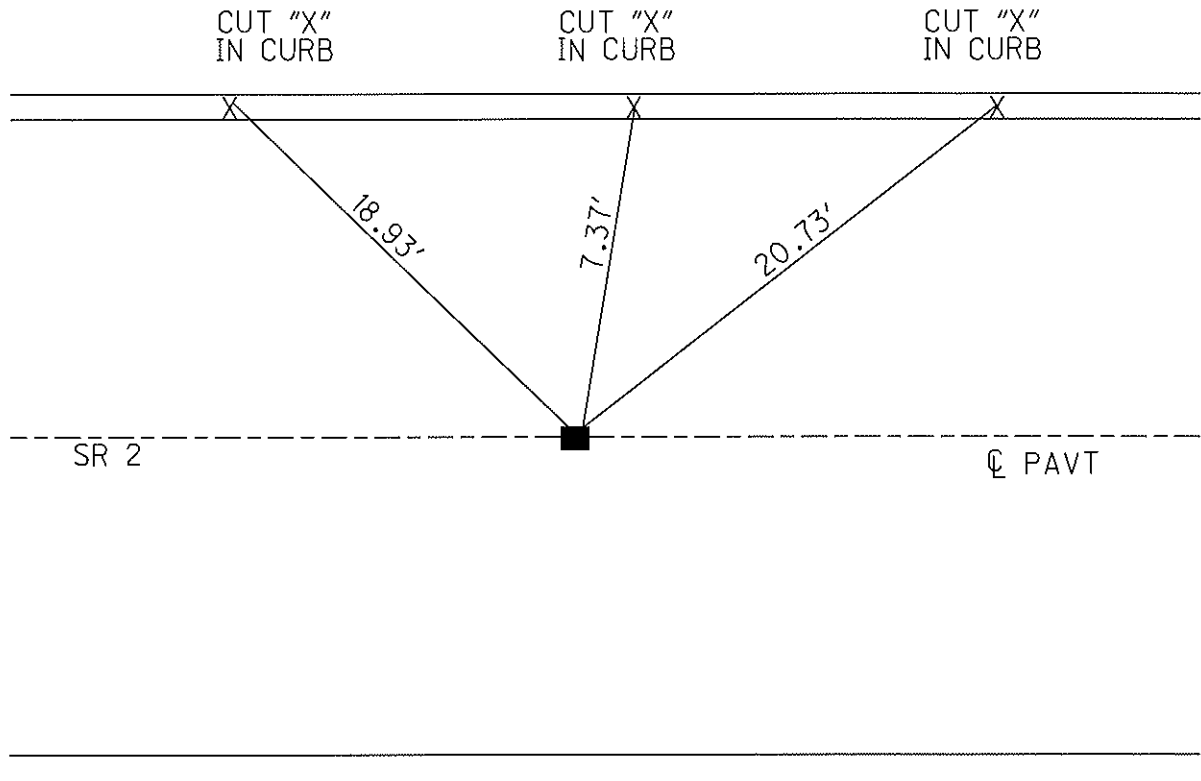
O.D.O.T. DISTRICT 2 SURVEY OFFICE (USE ONLY)

PERSONNEL \_\_\_\_\_ REFERENCE NO. 20C SHEET 4 OF 5  
 NOTES HOMAN DATE 08-08-07 ROUTE SR 2  
 H.C. ROUSOS WEATHER SUNNY COUNTY LUCAS  
 R.C. HOUDSHELL TEMP. +85° TOWNSHIP \_\_\_\_\_  
 \_\_\_\_\_ VIETH \_\_\_\_\_ SECTION \_\_\_\_\_  
 \_\_\_\_\_ T    N    R    E

TYPE MONUMENT I.P. MON. BOX  
 ON SURFACE - ~~BELOW~~ ON SURFACE  
 LEFT - C PAV'T - RIGHT \_\_\_\_\_  
 \_\_\_\_\_ TO \_\_\_\_\_ EDGE PAVEMENT  
 S.L.M. PI 603+22.94 (SV848)  
 GPS Northing=712553.518 Easting=1648402.876



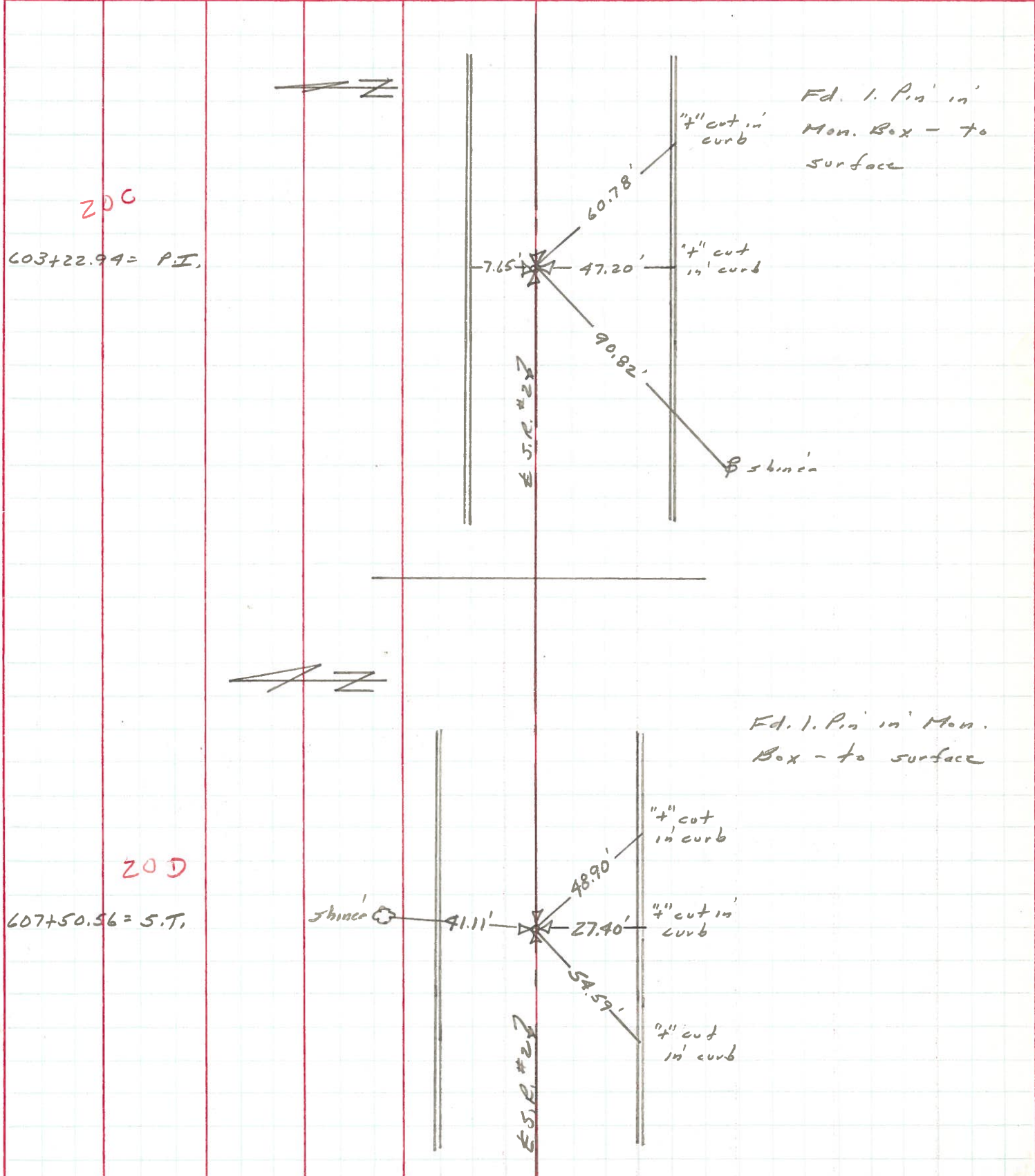
FD. I.P. MON. BOX  
 06-15-71



PERSONNEL	TITLE	PERSONNEL	TITLE	COUNTY	DATE	WEATHER	TEMP.
Stone		Brindley		Lucas	15 June 71	Warm	
Michalak				S. R. #2			
Schroder				SEC. I-475 - East			72°
Farr							

DESCRIPTION References to Control Points JOB NO. \_\_\_\_\_

LEFT CENTER LINE RIGHT



PERSONNEL TITLE PERSONNEL TITLE

COUNTY Lucas DATE 3-18-53

S. R. #2 WEATHER

SEC. TEMP.

DESCRIPTION LEFT CENTER LINE RIGHT JOB NO.

Sta. 298+28.97 P.I. (mon.) - iron rod in conc.	#145 20-0 o.k.		<del>S. to shiner in P.P.</del> 41.09 <del>N.E. to shiner in 18' hickory</del> 27.56 N. to witness mon. 24.74 S.E. to witness mon. 53.43 S.W. to witness mon. 50.75
Sta. 314+95.48 Reynolds Rd. Brass cap	#146 21 o.k.		N. end of divider 1 1/2 42.47 S.W. to shiner in T.P. 64.98' 51.25' N.E. to shiner in Guy pole 60.49'
Sta. 327+32.75 P.I. Mon.	#147		S.W. to spike in Guy pole 26.28 S.E. to spike in P.P. 21.79 N.N.E. to spike in T.P. 44.16' E.N.E. to shiner in Triple maple 106.75
Sta. 355+80.94 P.I. mon.	#148		N. to spike in T.P. 28.55 S.E. to shiner in P.P. 38.83 N.N.E. to shiner in 18' apple 51.15' N.E. to shiner in 15' apple 59.09
Sta. 382+53.38 mon.	#149		N.E. to x-in conc. base of flag pole 44.38' N.W. to spike in T.P. 41.35' S.E. to spike in P.P. 49.06 S.W. to x-in ring of M.H. 24.49