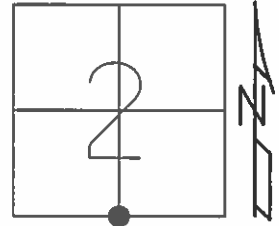


O.D.O.T. DISTRICT 2 SURVEY OFFICE (USE ONLY)

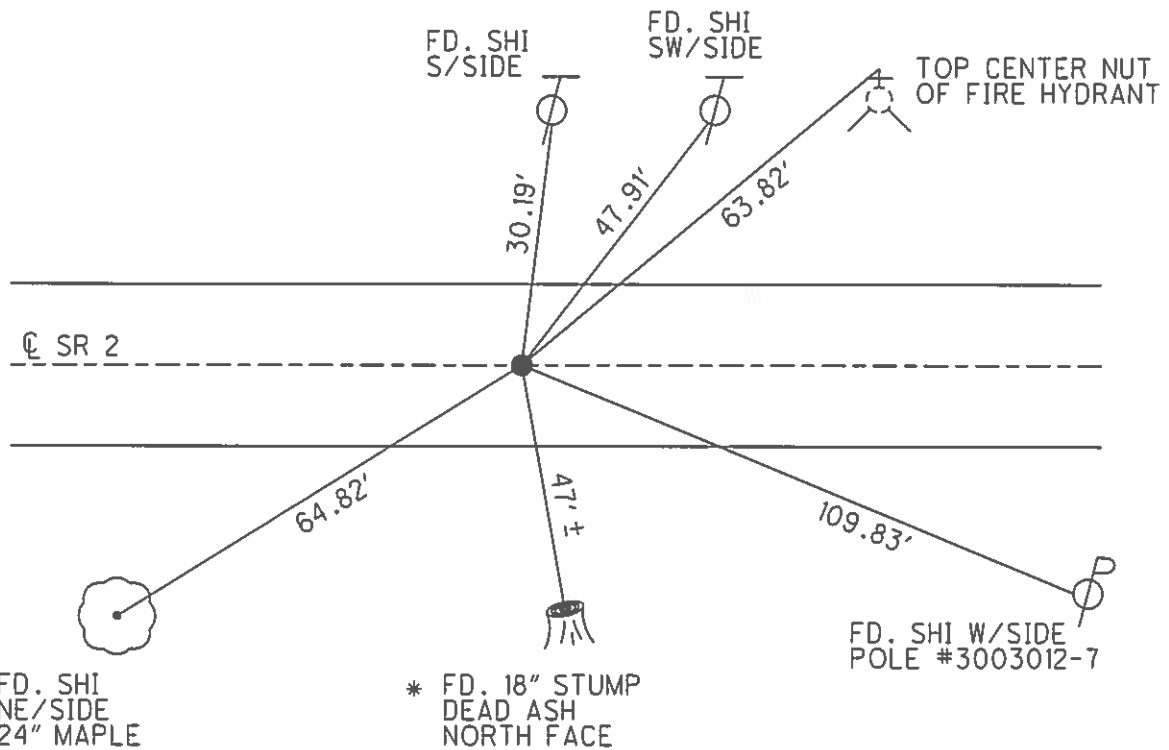
PERSONNEL	REFERENCE NO. <u>48 A</u>	SHEET <u>5</u> OF <u>7</u>
NOTES <u>LEU</u>	DATE <u>08-28-2015</u>	ROUTE <u>2</u>
H.C. <u>HOMAN</u>	WEATHER <u>SUNNY</u>	COUNTY <u>LUCAS</u>
R.C. <u>LEU</u>	TEMP. <u>65° F</u>	TOWNSHIP <u>JERUSALEM</u>
	DATUM <u>NAD83 (2011)</u>	SECTION <u>2</u>
		T <u>10</u> S R <u>9</u> E

TYPE MONUMENT P.K.NAIL
~~ON SURFACE~~ - BELOW 4"
~~LEFT - C~~ PAV'T - ~~RIGHT~~ ON
12 TO LT EDGE PAVEMENT
 S.L.M. 1589+57
 GRID: NORTHING: 719484.6838 EASTING: 1743808.7894



RECORD

RESET PK & WASHER
 07-22-96 MB



* NOTE:
 RECORD WAS 47.10' TO A FD. NAIL/SHI
 ON N/SIDE OF 18" DEAD ASH

O.D.O.T. DISTRICT 2 SURVEY OFFICE

PERSONNEL _____

REFERENCE NO. 48-A

SHEET 5 OF 7

NOTES CORDES

H.C. CORDES

R.C. BARNHISEL

DATE 3-28-96

WEATHER CLOUDY

TEMP. +35° F

ROUTE 2

COUNTY LUCAS

TOWNSHIP JERUSALEM

SECTION 2

T10 S R 9 E

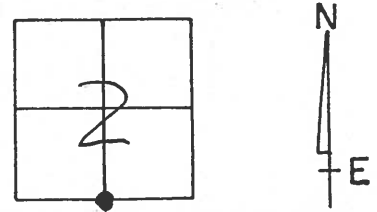
TYPE MONUMENT PK NAIL

ON SURFACE - ~~BELOW~~ YES

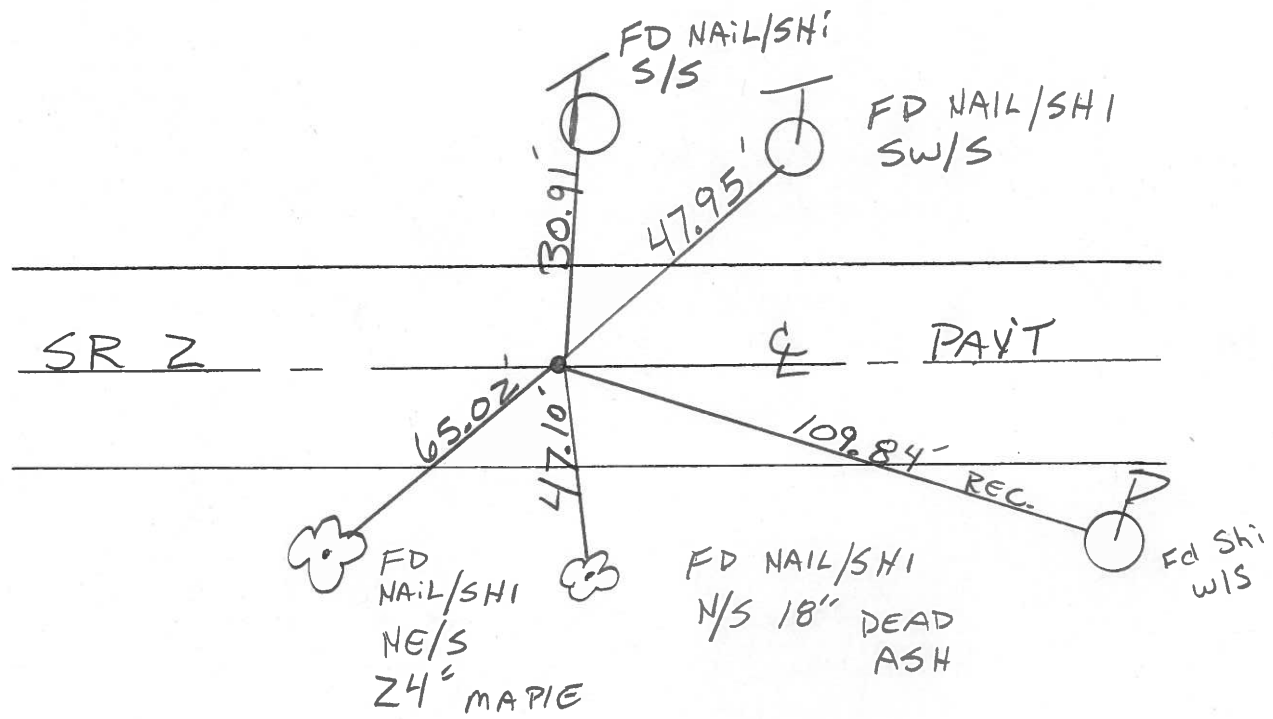
~~LEFT~~ - & PAV'T. - ~~RIGHT~~ YES

12.1 TO LT EDGE PAVEMENT

S.L.M. 1589+57



RESET PK & WASHER
7-22-96
MIB



O.D.O.T. DISTRICT 2 SURVEY OFFICE

PERSONNEL

REFERENCE NO. 48-19

SHEET 17 OF

NOTES 1. Stone

H.C. D. Curtis

R.C. R. Michalek

J. Hauschalter

DATE 20 June 85

WEATHER Fair

TEMP. 67°

ROUTE SR #2

COUNTY Lucas

TOWNSHIP Jerusalem

SECTION 2

T R

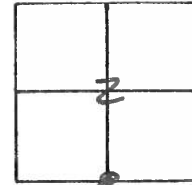
TYPE MONUMENT PK Nail

ON SURFACE - BELOW Surface

LEFT - & PAV'T. - RIGHT

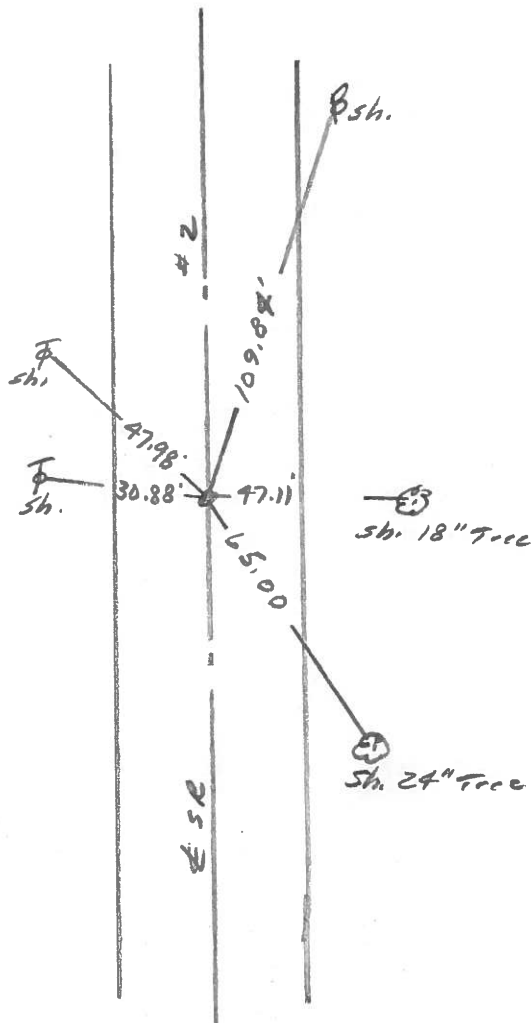
 TO EDGE PAVEMENT

S.L.M. 1589 + 91



~~————— Z~~

Fd. P.K. Nail to Surface - 11-1-85



PERSONNEL	TITLE	PERSONNEL	TITLE	COUNTY	DATE
Rodowski				Lucas	Mar 24 1954
Compton				S. R. 2	WEATHER
Burdick				SEC.	TEMP.
Chappuis					

DESCRIPTION RR's to Man. LEFT CENTER LINE RIGHT JOB NO.

