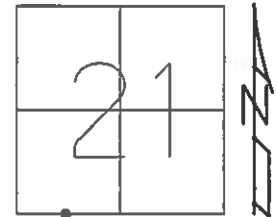


O.D.O.T. DISTRICT 2 SURVEY OFFICE (USE ONLY)

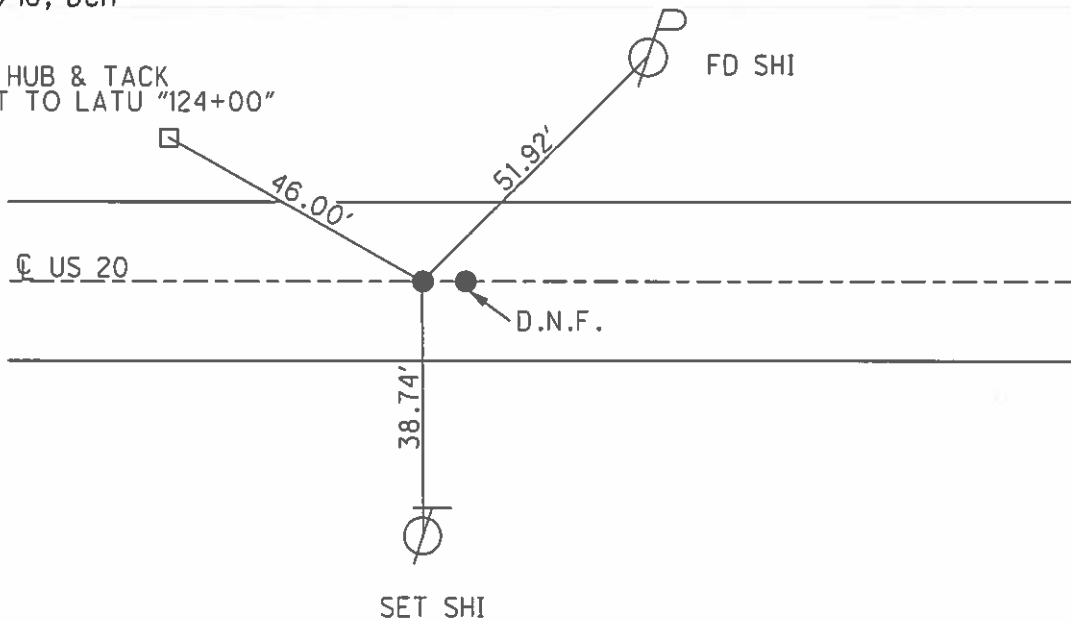
PERSONNEL \_\_\_\_\_ REFERENCE NO. 5-A SHEET 7 OF 36  
 NOTES LEU DATE 08/23/16 ROUTE US 20  
 H.C. HOMAN WEATHER SUNNY COUNTY LUCAS  
 R.C. LEU TEMP. 71° TOWNSHIP RICHFIELD  
 \_\_\_\_\_ SECTION 21  
 \_\_\_\_\_ T 9 S R 5 E

TYPE MONUMENT \_\_\_\_\_ FD PK NAIL \_\_\_\_\_  
 ON SURFACE - ~~BELOW~~ ON \_\_\_\_\_  
~~LEFT~~ - ☉ PAV'T - ~~RIGHT~~ BOTH NAILS \_\_\_\_\_  
12.5 TO RT EDGE PAVEMENT \_\_\_\_\_  
 S.L.M. 125+30 \_\_\_\_\_  
 Grid: Northing: 733556.791 Easting: 1604223.175



FD PK TO SURFACE  
 1984  
 NOTE: FD SECOND PK TO  
 THE EAST, ORIGIN UNKNOWN  
 RESET BOTH  
 PK/WASHERS  
 12/18/97, BWC  
 NEWREF A5  
 RESET MAG/WASHER  
 11/09/16, DCH

SET HUB & TACK  
 NEXT TO LATU "124+00"



# O.D.O.T. DISTRICT 2 SURVEY OFFICE

PERSONNEL

REFERENCE NO. 5-A

SHEET 6 OF 22

NOTES CORDES

H.C. VAN DUSEN

DATE 6-24-97

ROUTE LUCAS US #20

R.C. COX

WEATHER SUNNY

COUNTY LUCAS

TEMP. +91

TOWNSHIP Richfield

SECTION 21

T 9 S R 5 E

Reset Both  
P.K. & WASHERS  
12-18-97  
BWC

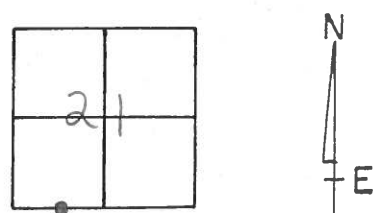
TYPE MONUMENT Fd P.K. NAILS

ON SURFACE - BELOW Yes

~~LEFT - & PAVT.~~ - ~~RIGHT~~ Both NAILS

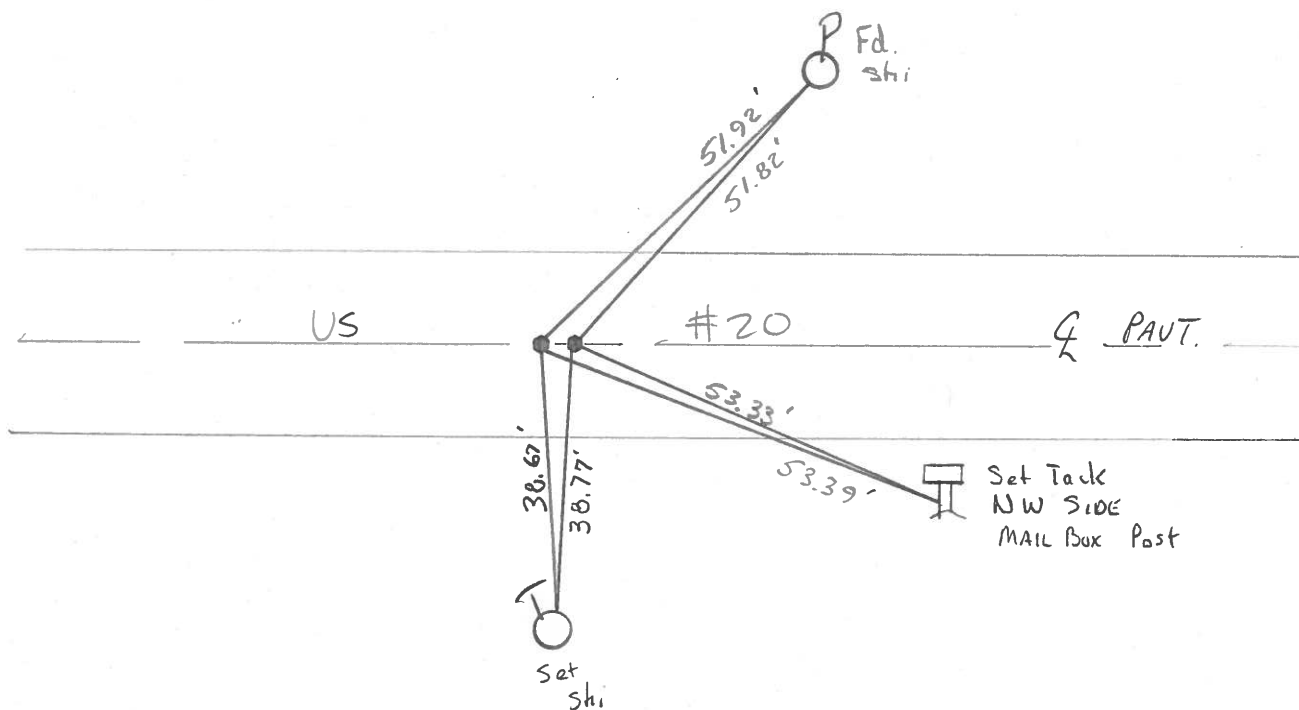
12.5 TO Rt EDGE PAVEMENT

S.L.M. 125+30



Fd PK to Surface - 1984

NOTE: Found second P.K. to the EAST. ORIGIN UNKNOWN



County Lucas ~~S.R.~~ US#20

Date 28 June 84

Township Richfield

Weather Fair

Section 21

Temp. 73°

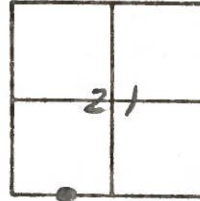
T N, R E

Personnel I. Stone

P. Neuser

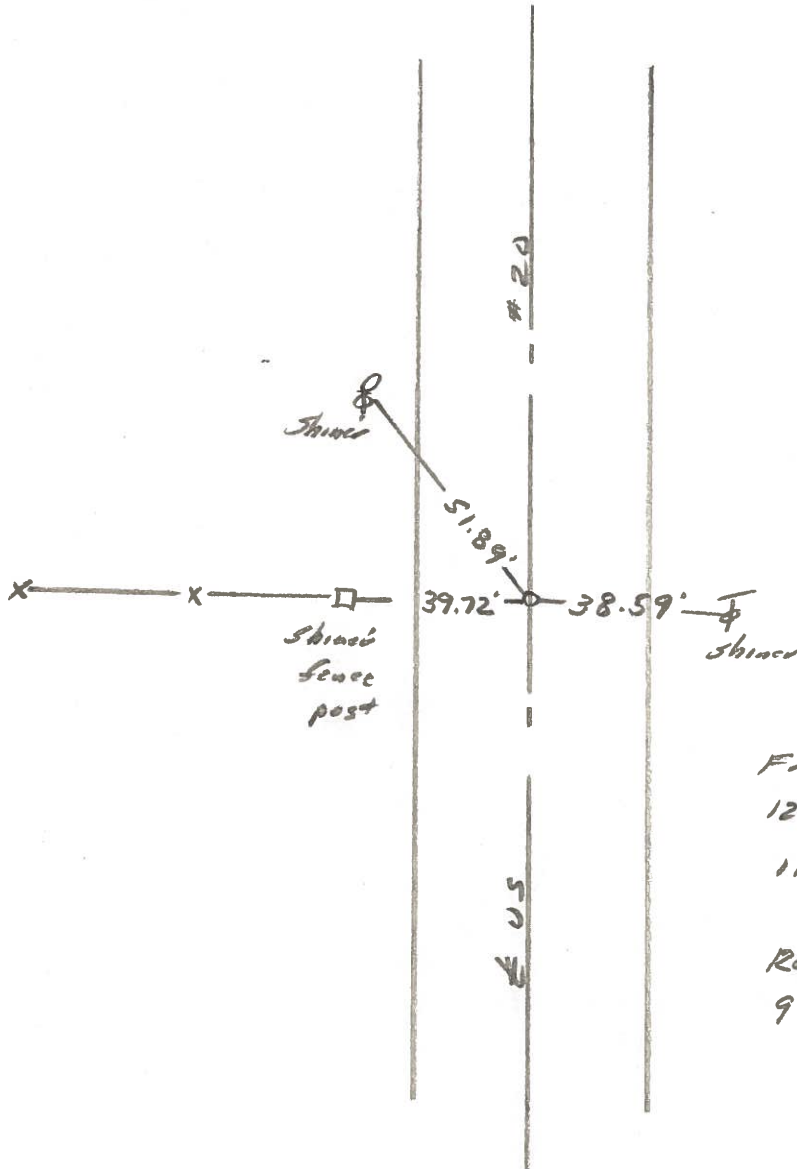
R. Michalak

D. Curtis



SLM Sta. 125+83

REF. NO. 5-A



FD. PK To Surface  
12.3' to S. edge put.  
11.7' to N. edge put.

Reset P.K. To Surface -  
9-6-84