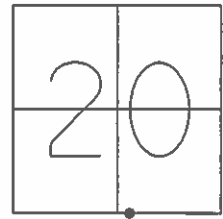


O.D.O.T. DISTRICT 2 SURVEY OFFICE (USE ONLY)

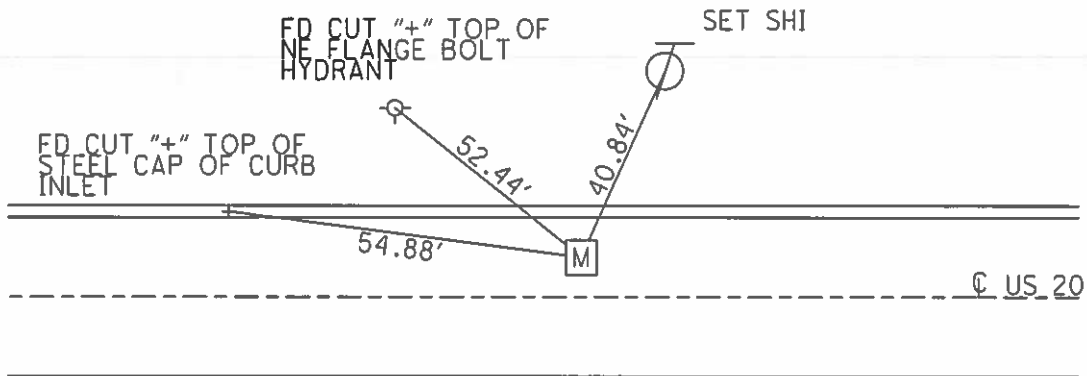
PERSONNEL	REFERENCE NO.	<u>27 C</u>	SHEET	<u>32</u>	OF	<u>36</u>
NOTES	<u>HOMAN</u>	DATE	<u>10/25/16</u>	ROUTE	<u>US 20</u>	
H.C.	<u>HOMAN</u>	WEATHER	<u>SUNNY</u>	COUNTY	<u>LUCAS</u>	
R.C.	<u>LEU</u>	TEMP.	<u>35°</u>	TOWNSHIP	<u>SYLVANIA</u>	
				SECTION	<u>20</u>	
				T	<u>9</u>	S
				R	<u>6</u>	E

TYPE MONUMENT MON BOX  
 ON SURFACE - ~~BELOW~~ ON  
 LEFT - ~~C PAV'T~~ - ~~RIGHT~~ ±18'  
12.5' TO LT EDGE PAVEMENT  
 S.L.M. 405+09



Grid: Northing: 733610.845 Easting: 1632275.342

REFC27  
 COULD NOT OPEN  
 SHOT CENTER OF  
 MON BOX  
 REF C27  
 IPIN IN  
 MON BOX



O.D.O.T. DISTRICT 2 SURVEY OFFICE

PERSONNEL

REFERENCE NO. 27A

SHEET 5 OF 27

NOTES LOEHRKE

H.C. CANTERBURY

DATE 7-8-98

ROUTE U.S. 20

R.C. HELM

WEATHER CLoudy

COUNTY LUCAS

TEMP. + 84

TOWNSHIP SYLVANIA

SECTION 20

T     R    

TYPE MONUMENT MON Box

~~ON~~ SURFACE - BELOW Yes

LEFT - C PAV'T. - ~~RIGHT~~ ± 18'

12.5' TO Lt EDGE PAVEMENT

S.L.M. 405+09

