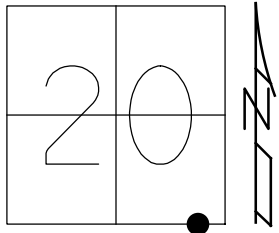


O.D.O.T. DISTRICT 2 SURVEY OFFICE (USE ONLY)

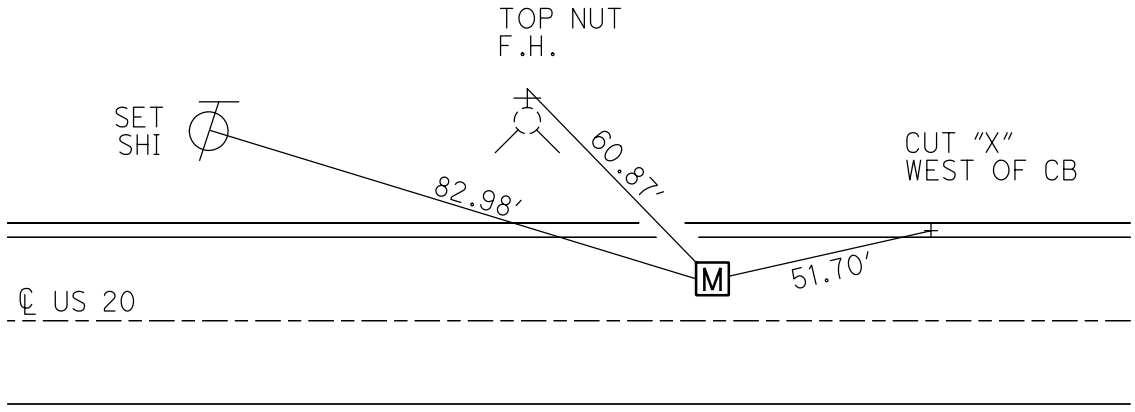
PERSONNEL _____ REFERENCE NO. 28 A SHEET 36 OF 37
 NOTES HOMAN DATE 10/25/16 ROUTE US 20
 H.C. HOMAN WEATHER SUNNY COUNTY LUCAS
 R.C. LEU TEMP. 35° TOWNSHIP SYLVANIA
 _____ SECTION 20
 _____ T 9 S R 6 E

TYPE MONUMENT MONBOX
 ON SURFACE - ~~BELOW~~ _____ ON _____
 LEFT - ~~±12'~~ ±18' TO LT. EDGE PAVEMENT
 S.L.M. 420+00



Grid: Northing: 733632.295 Easting: 1633775.155

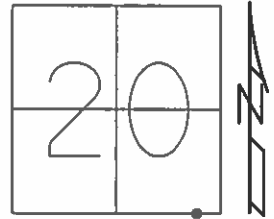
RECORD:
 COULD NOT OPEN
 SHOT CENTER OF
 MONBOX W/ IPIN
 REFA28
 10/25/16,DCH



O.D.O.T. DISTRICT 2 SURVEY OFFICE (USE ONLY)

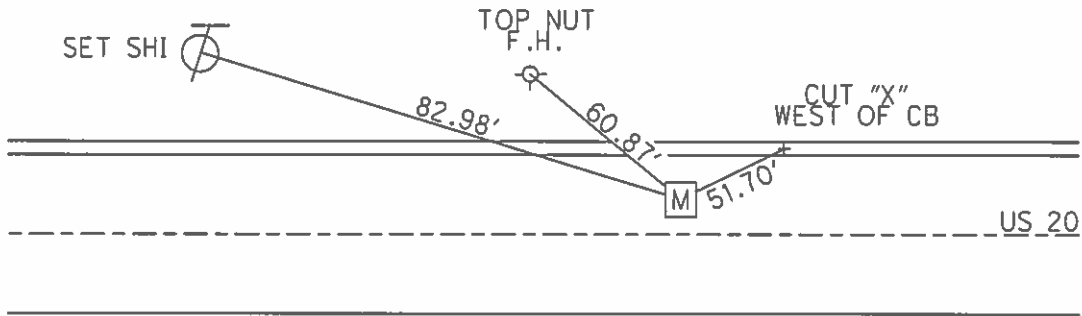
PERSONNEL _____ REFERENCE NO. 28 A SHEET 36 OF 36
 NOTES HOMAN DATE 10/25/16 ROUTE US 20
 H.C. HOMAN WEATHER SUNNY COUNTY LUCAS
 R.C. LEU TEMP. 35° TOWNSHIP SYLVANIA
 _____ SECTION 20
 _____ T9S R6E

TYPE MONUMENT MON BOX-UNOPEN
 ON SURFACE - ~~BELOW~~ ON
 LEFT - ~~C~~ PAVT - ~~RIGHT~~ ±18'
±12' TO LT EDGE PAVEMENT
 S.L.M. 420+00



Grid: Northing: 733632.295 Easting: 1633775.155

REF A28
 COULD NOT OPEN
 SHOT CENTER OF
 MONBOX
 REF A28
 IRON PIN
 IN MON BOX



O.D.O.T. DISTRICT 2 SURVEY OFFICE

PERSONNEL

REFERENCE NO. 28A

SHEET 8 OF 27

NOTES LOEHRKE

H.C. CANTERBURY

R.C. HELM

DATE 7-7-98

WEATHER Sticky

TEMP. +84°

ROUTE U.S. 20

COUNTY LUCAS

TOWNSHIP SYLVANIA

SECTION 20

T R

TYPE MONUMENT MON Box - UNOPEN

~~ON~~ SURFACE - BELOW Yes

LEFT- PAV'T. - ~~RIGHT~~ ±18'

±12' TO Lt EDGE PAVEMENT

S.L.M. 420+00

