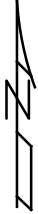
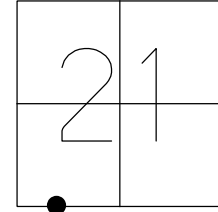


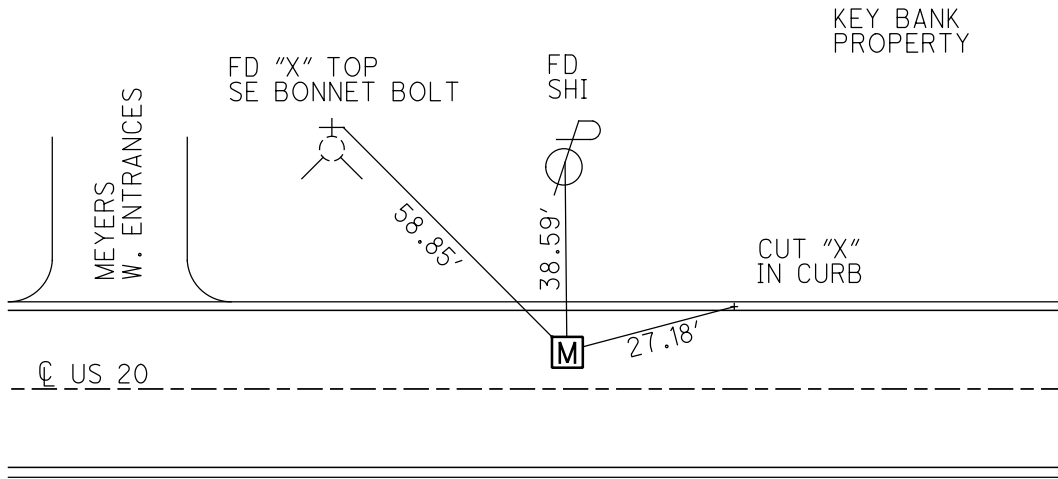
O.D.O.T. DISTRICT 2 SURVEY OFFICE (USE ONLY)

PERSONNEL \_\_\_\_\_ REFERENCE NO. 29 B SHEET 3 OF 15  
 NOTES NUHFER DATE 8/13/07 ROUTE US 20  
 H.C. HUSS WEATHER HOT COUNTY LUCAS  
 R.C. MOSER TEMP. 86° TOWNSHIP SYLVANIA  
 DWG BY MILLER PID 102808 SECTION 21  
 T 9 N R 6 E

TYPE MONUMENT MONBOX W/ 1" IPIN  
 ON SURFACE - ~~BELOW~~ ON  
 OFFSET  $\text{\textcircled{C}}$  PAVEMENT 16.7' LT : ~~RT~~  
24' TO LT EDGE PAVEMENT  
 STATION: 435+00  
 HORZ. DATUM: NAD83(2011) GEOID: 2012A  
 GRID: NORTHING: 733607.851 EASTING: 1635274.478



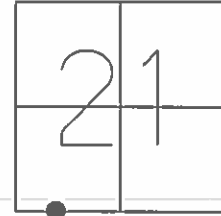
RECORD:  
 FD MONBOX  
 W/1" IPIN  
 7-08-98, CAL  
 FD MONBOX  
 W/ 1" IPIN  
 REFB29  
 4-24-18, JFO  
 RAISED BOX  
 10-1-18, JFO



O.D.O.T. DISTRICT 2 SURVEY OFFICE (USE ONLY)

PERSONNEL \_\_\_\_\_ REFERENCE NO. 29B SHEET 3 OF 11  
 NOTES NUHFER DATE 8/13/07 ROUTE US 20  
 H.C. HUSS WEATHER HOT COUNTY LUCAS  
 R.C. MOSER TEMP. 86° TOWNSHIP SYLVANIA  
 \_\_\_\_\_ SECTION 21  
 \_\_\_\_\_ T 9 S R 6 E

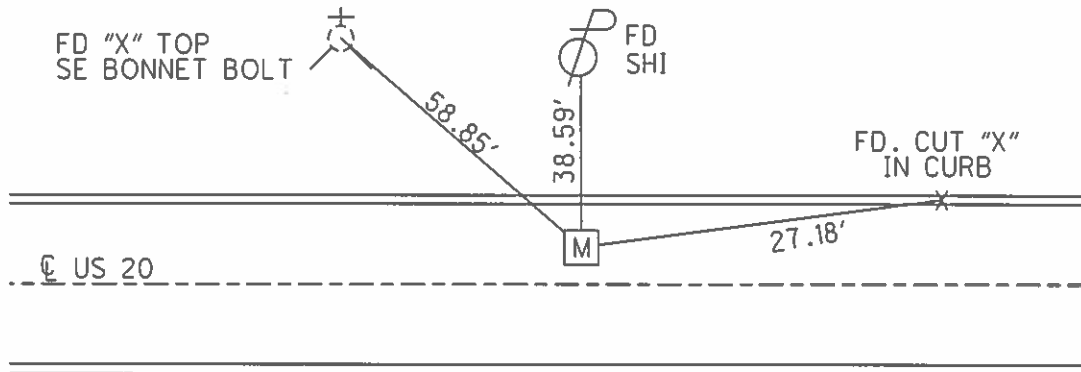
TYPE MONUMENT 1" IPIN MON. BOX  
 ON SURFACE - BELOW ON  
 LEFT - ☉ PAV'T - RIGHT 16.7'  
24' TO LT EDGE PAVEMENT  
 S.L.M. 435+00



GRID: NORTHING: 733607.82 EASTING: 1635274.46

RECORD:  
 FD 1" IPIN MON. BOX  
 7/08/98, CAL

KEY BANK  
 PROPERTY



O.D.O.T. DISTRICT 2 SURVEY OFFICE (USE ONLY)

PERSONNEL \_\_\_\_\_

REFERENCE NO. 29-B

SHEET 3 OF 11

NOTES NUHFER \_\_\_\_\_

DATE 08-13-07

ROUTE SR 20

H.C. HUSS

WEATHER HOT

COUNTY LUCAS

R.C. MOSER

TEMP. +86°

TOWNSHIP SYLVANIA

SECTION 21

T 9 S R 6 E

TYPE MONUMENT 1" I.P. MON. BOX

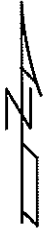
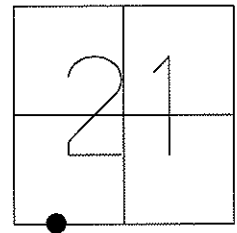
ON SURFACE - ~~BELOW~~ ON SURFACE

LEFT - C PAV'T - ~~RIGHT~~ 16.7' LT.

24' TOLT. EDGE PAVEMENT

S.L.M. 435+00 - 800' +/- EAST OF KING

GPS Northing=733607.82 Easting=1635274.46



FD. 1" I.P. MON. BOX  
07-08-98 CAL

KEY BANK  
PROPERTY

