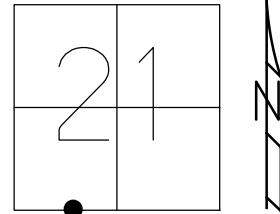


O.D.O.T. DISTRICT 2 SURVEY OFFICE (USE ONLY)

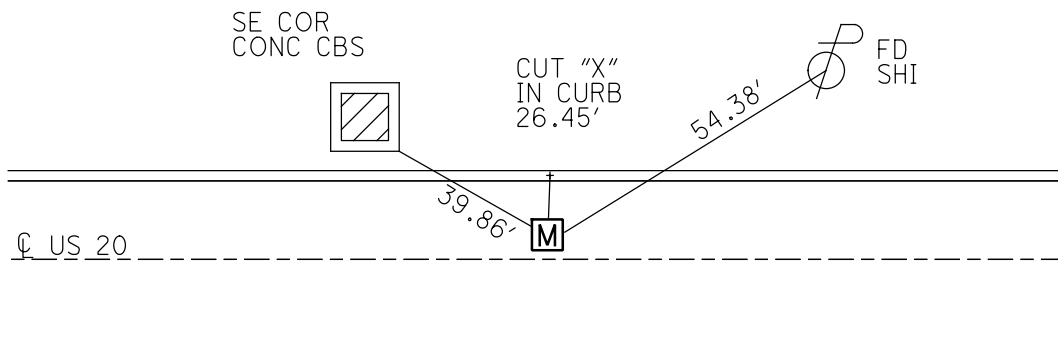
PERSONNEL \_\_\_\_\_ REFERENCE NO. 29 C SHEET 4 OF 15  
 NOTES NUHFER DATE 8/13/07 ROUTE US 20  
 H.C. HUSS WEATHER HOT COUNTY LUCAS  
 R.C. MOSER TEMP. 86° TOWNSHIP SYLVANIA  
 \_\_\_\_\_ SECTION 21  
 DWG BY MILLER PID 102808 T 9 N R 6 E

TYPE MONUMENT MONBOX W/1" IPIN  
 ON SURFACE - ~~BELOW~~ ON  
 OFFSET  $\text{\textcircled{C}}$  PAVEMENT 16.5' LT : ~~RT~~  
24' TO LT EDGE PAVEMENT  
 STATION: 440+00



HORIZ.DATUM: NAD83(2011) GEOID: 2012A  
 GRID: NORTHING: 733586.712 EASTING: 1635774.104

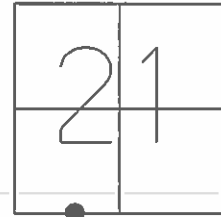
RECORD:  
 FD MONBOX  
 W/1" IPIN  
 7-08-98, CAL  
 FD MONBOX  
 W/ 1" IPIN  
 REFC29  
 4-24-18, JFO  
 RAISED BOX  
 10-1-18, JFO



O.D.O.T. DISTRICT 2 SURVEY OFFICE (USE ONLY)

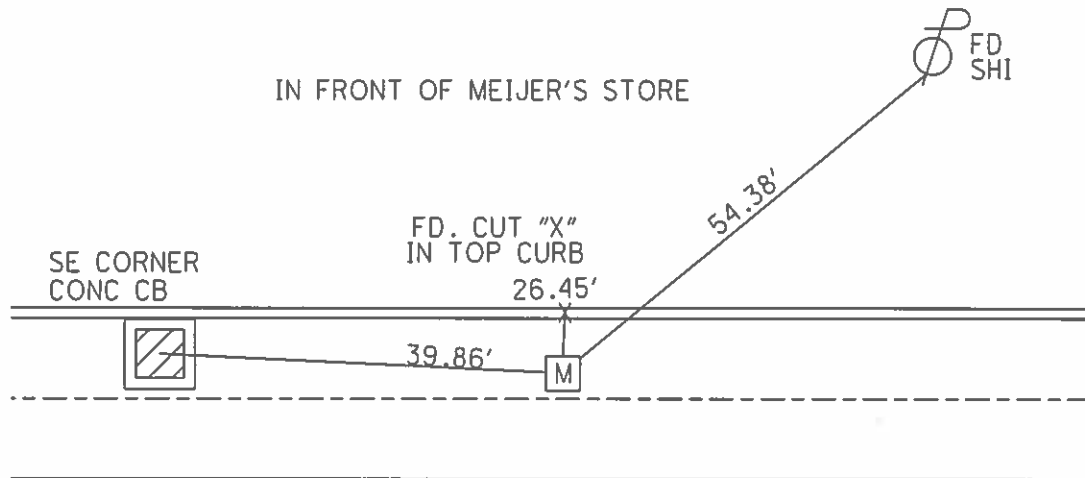
PERSONNEL	REFERENCE NO.	29C	SHEET	4	OF	11
NOTES	NUHFER	DATE	8/13/07	ROUTE	US 20	
H.C.	HUSS	WEATHER	HOT	COUNTY	LUCAS	
R.C.	MOSER	TEMP.	86°	TOWNSHIP	SYLVANIA	
				SECTION	21	
					T 9 S R 6 E	

TYPE MONUMENT 1" IPIN MON. BOX  
 ON SURFACE - BELOW ON  
 LEFT - ☉ PAV'T - RIGHT 16.5'  
24' TO LT EDGE PAVEMENT  
 S.L.M. 440+00



GRID: NORTHING: 733586.72 EASTING: 1635774.01

RECORD:  
 FD 1" IPIN MON. BOX  
 7/08/98, CAL



O.D.O.T. DISTRICT 2 SURVEY OFFICE (USE ONLY)

PERSONNEL \_\_\_\_\_

REFERENCE NO. 29c

SHEET 4 OF 11

NOTES NUHFER \_\_\_\_\_

DATE 08-13-07

ROUTE SR 20

H.C. HUSS

WEATHER HOT

COUNTY LUCAS

R.C. MOSER

TEMP. +86°

TOWNSHIP SYLVANIA

SECTION 21

T 9 S R 6 E

TYPE MONUMENT 1" I.P. MON. BOX

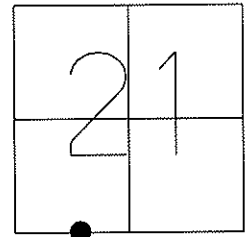
ON SURFACE - ~~BELOW~~ ON SURFACE

LEFT - C PAV'T - ~~RIGHT~~ 16.5' LT.

24' TO LT. EDGE PAVEMENT

S.L.M. 440+00

GPS Northing=733586.72 Easting=1635774.01



FD. 1" I.P. MON. BOX  
07-08-98 CAL

IN FRONT OF MEIJER'S STORE

