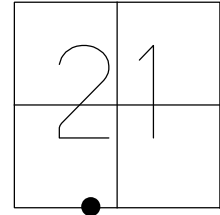


O.D.O.T. DISTRICT 2 SURVEY OFFICE (USE ONLY)

PERSONNEL _____ REFERENCE NO. 29D SHEET 5 OF 15
 NOTES NUHFER DATE 8/13/07 ROUTE US 20
 H.C. HUSS WEATHER HOT COUNTY LUCAS
 R.C. MOSER TEMP. 86° TOWNSHIP SYLVANIA
 DWG BY MILLER PID 102808 SECTION 21
 T 9 N R 6 E

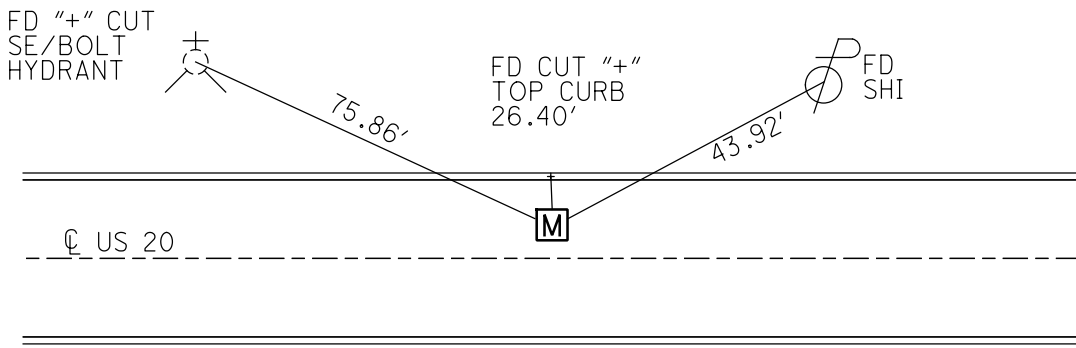
TYPE MONUMENT MONBOX W/ 1" IPIN
 ON SURFACE - ~~BELOW~~ ON
 OFFSET \odot PAVEMENT 16.6' LT : ~~RT~~
26.1' TO LT EDGE PAVEMENT
 STATION: 445+00



HORIZ. DATUM: NAD83(2011) GEOID: 2012A
 GRID: NORTHING: 733565.554 EASTING: 1636273.706

RECORD:
 FD MMONBOX
 W/ 1" IPIN
 7-08-98, CAL
 FD MONBOX
 W/ 1" IPIN
 REFD29
 4-24-18, JFO
 RAISED BOX
 10-1-18, JFO

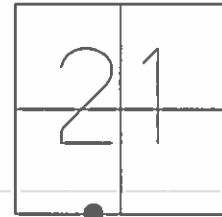
MEIJER'S GAS STATION



O.D.O.T. DISTRICT 2 SURVEY OFFICE (USE ONLY)

PERSONNEL	REFERENCE NO.	29D	SHEET	5	OF	11
NOTES	NUHFER	DATE	8/13/07	ROUTE	US 20	
H.C.	HUSS	WEATHER	HOT	COUNTY	LUCAS	
R.C.	MOSER	TEMP.	86°	TOWNSHIP	SYLVANIA	
				SECTION	21	
				T	9	S
				R	6	E

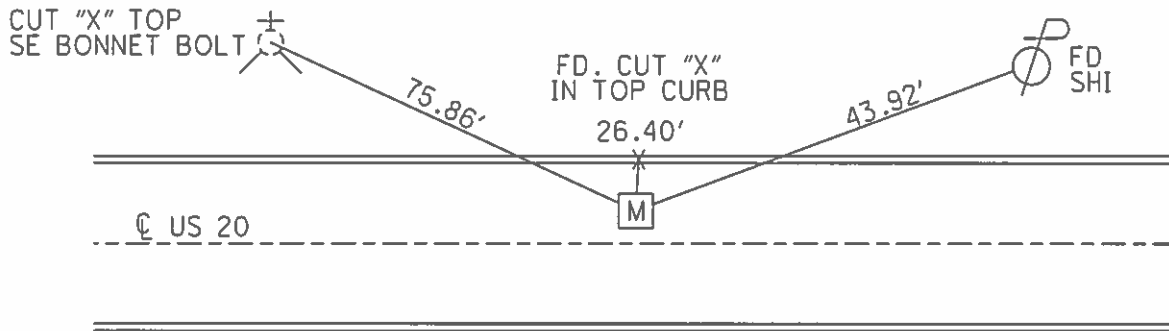
TYPE MONUMENT 1" IPIN MON. BOX
 ON SURFACE - BELOW ON
 LEFT - ☉ PAV'T - RIGHT 16.6'
26.1' TO LT EDGE PAVEMENT
 S.L.M. 445+00



GRID: NORTHING: 733565.63 EASTING: 1636273.61

RECORD:
 FD 1" IPIN MON. BOX
 7/08/98, CAL

IN FRONT OF MEIJER'S GAS STATION



O.D.O.T. DISTRICT 2 SURVEY OFFICE (USE ONLY)

PERSONNEL _____

REFERENCE NO. 29d

SHEET 5 OF 11

NOTES NUHFER

DATE 08-13-07

ROUTE SR 20

H.C. HUSS

WEATHER HOT

COUNTY LUCAS

R.C. MOSER

TEMP. +86°

TOWNSHIP SYLVANIA

SECTION 21

T 9 S R 6 E

TYPE MONUMENT 1" I.P. MON. BOX

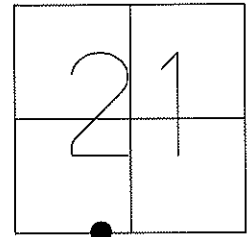
ON SURFACE - ~~BELOW~~ ON SURFACE

LEFT - C PAV'T - ~~RIGHT~~ 16.6' LT.

26.1' TO LT. EDGE PAVEMENT

S.L.M. 445+00

GPS Northing=733565.63 Easting=1636273.61



FD. 1" I.P. MON. BOX
07-08-98 CAL

IN FRONT OF MEIJER'S GAS STATION

