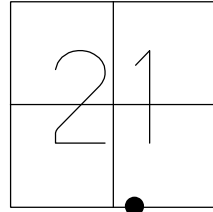


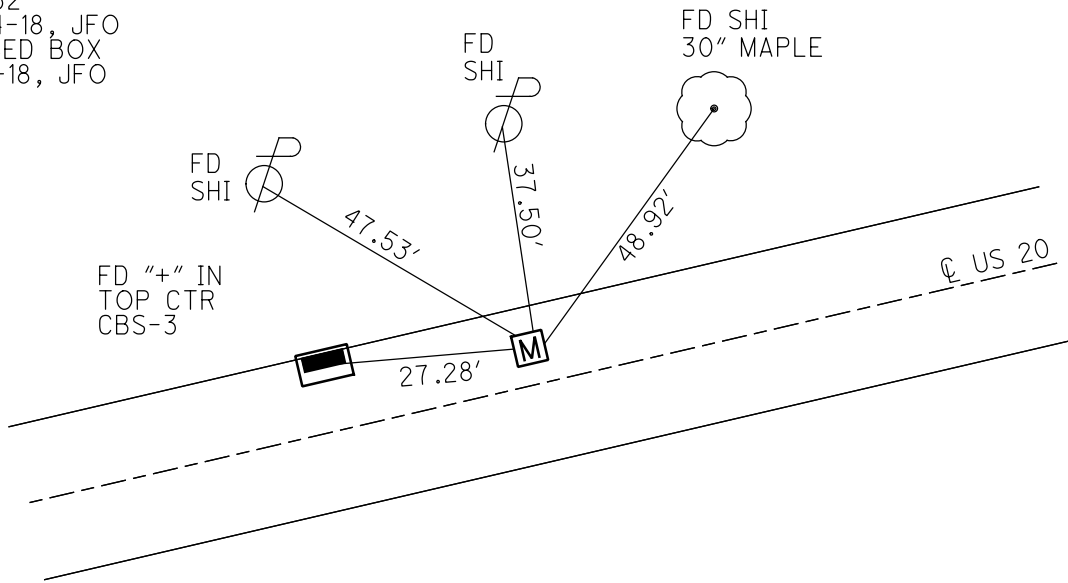
O.D.O.T. DISTRICT 2 SURVEY OFFICE (USE ONLY)

PERSONNEL _____ REFERENCE NO. 32 SHEET 8 OF 15
 NOTES NUHFER DATE 8/14/07 ROUTE US 20
 H.C. HUSS WEATHER CLOUDY COUNTY LUCAS
 R.C. MOSER TEMP. 70° TOWNSHIP SYLVANIA
 _____ SECTION 21
 DWG BY MILLER PID 102808 T 9 N R 6 E

TYPE MONUMENT MONBOX W/ 1" IPIN
 ON SURFACE - ~~BELOW~~ ON
 OFFSET ☉ PAVEMENT 17.9' LT : ~~RT~~
22.1' TO LT EDGE PAVEMENT
 STATION: 458+89
 HORZ. DATUM: NAD83(2011) GEOID: 2012A
 GRID: NORTHING: 733627.322 EASTING: 1637648.943



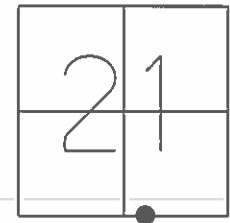
RECORD:
 FD MONBOX
 W/ 1" IPIN
 7-08-98, CAL
 FD MONBOX
 W/ 1" IPIN
 REF32
 4-24-18, JFO
 RAISED BOX
 10-1-18, JFO



O.D.O.T. DISTRICT 2 SURVEY OFFICE (USE ONLY)

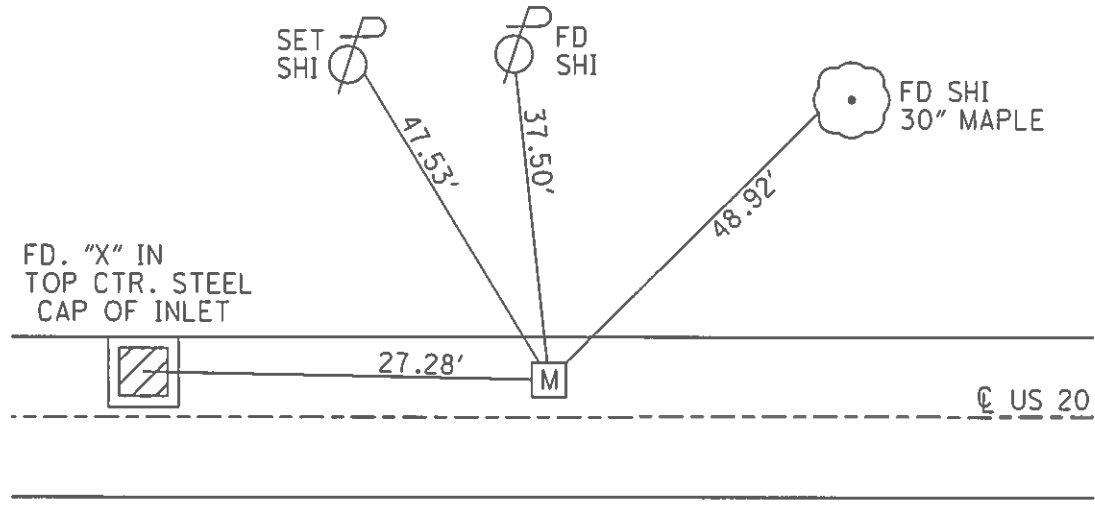
PERSONNEL _____ REFERENCE NO. 32 SHEET 8 OF 11
 NOTES NUHFER DATE 8/14/07 ROUTE US 20
 H.C. HUSS WEATHER CLOUDY COUNTY LUCAS
 R.C. MOSER TEMP. 70° TOWNSHIP SYLVANIA
 _____ SECTION 21
 _____ T 9 S R 6 E

TYPE MONUMENT 1" IPIN MON. BOX
 ON SURFACE - BELOW ON
 LEFT - \odot PAV'T - RIGHT 17.9'
22.1' TO LT. EDGE PAVEMENT
 S.L.M. 458+89



GRID: NORTHING: 733627.26 EASTING: 1637648.90

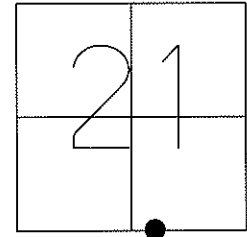
RECORD:
 FD 1" IPIN MON. BOX
 7/08/98, CAL



O.D.O.T. DISTRICT 2 SURVEY OFFICE (USE ONLY)

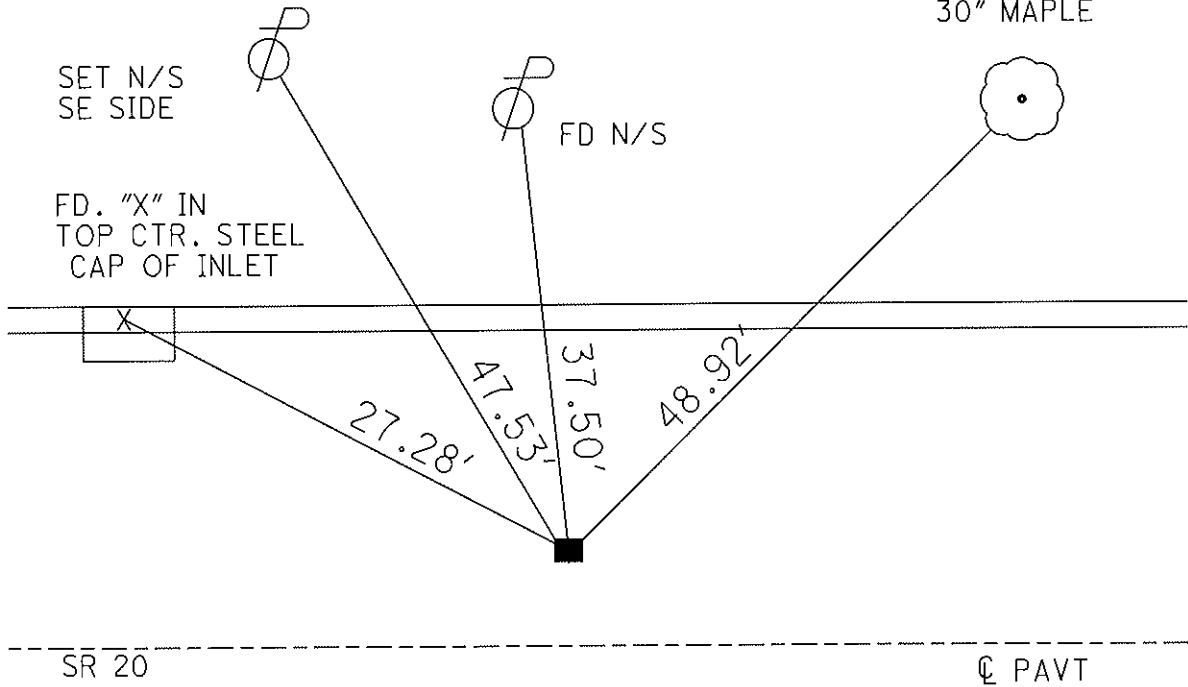
PERSONNEL	REFERENCE NO. <u>32</u>	SHEET <u>8</u> OF <u>11</u>
NOTES <u>NUHFER</u>	DATE <u>08-14-07</u>	ROUTE <u>SR 20</u>
H.C. <u>HUSS</u>	WEATHER <u>CLOUDY</u>	COUNTY <u>LUCAS</u>
R.C. <u>MOSE</u>	TEMP. <u>+70°</u>	TOWNSHIP <u>SYLVANIA</u>
		SECTION <u>21</u>
		T <u>9</u> S R <u>6</u> E

TYPE MONUMENT 1" I.P. MON. BOX
 ON SURFACE - ~~BELOW~~ ON SURFACE
 LEFT - C PAV'T - RIGHT 17.9' LT.
22.1' TOLT. EDGE PAVEMENT
 S.L.M. 458+89 POSSIBLE PT.
 GPS Northing=733627.26 Easting=1637648.90



FD. 1" I.P. MON. BOX
07-08-98 CAL

FD. N/S
30" MAPLE



PERSONNEL TITLE PERSONNEL TITLE

COUNTY LUCAS

DATE 4AUG71

D. CURTIS

D. STEVENS

S. R. U.S. 20

WEATHER CLOUDY

SEC.

TEMP. 65°±

DESCRIPTION REFERENCES TO CONTROL POINTS

JOB NO.

LEFT

CENTER LINE

RIGHT

