

O.D.O.T. DISTRICT 2 SURVEY OFFICE (USE ONLY)

PERSONNEL _____ REFERENCE NO. 39 SHEET 37 OF 50

NOTES RHOADES DATE 6-15-17 ROUTE SR 64
 H.C. POORE WEATHER CLOUDY COUNTY LUCAS
 R.C. O'DONNELL TEMP. 74° TOWNSHIP WATERVILLE
 _____ SECTION 34
 _____ T 7 N R 9 E

TYPE MONUMENT MAG/WASHER

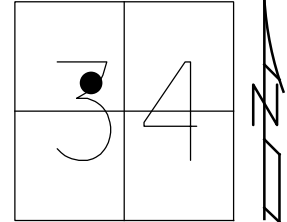
ON SURFACE - ~~BELOW~~ ON

~~LEFT~~ - CL PAV'T - RIGHT 1.8'

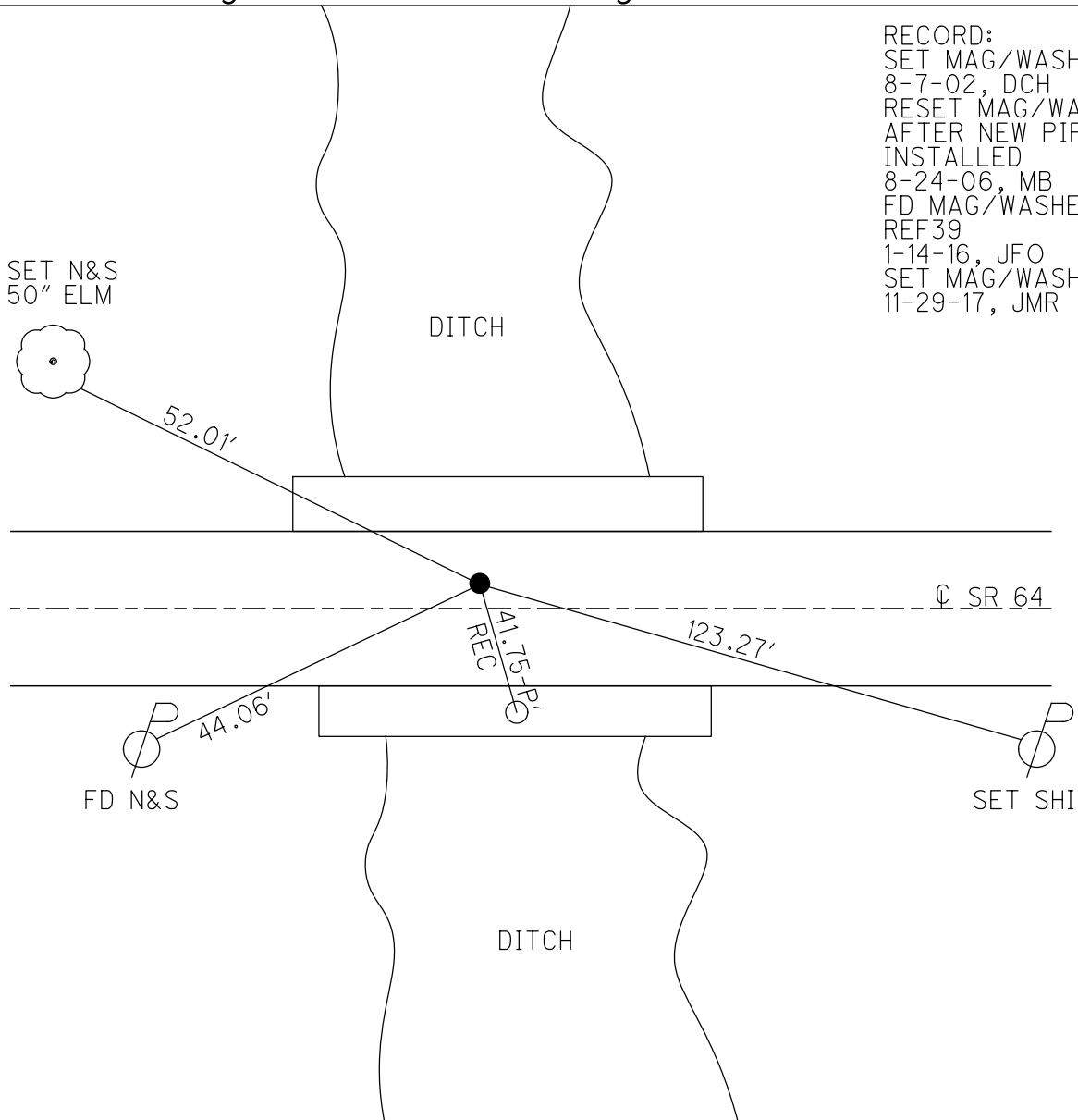
8.3' TO LT EDGE PAVEMENT

S.L.M. 308+54.88

Grid: Northing: 679699.4767 Easting: 1608270.4536



RECORD:
 SET MAG/WASHER
 8-7-02, DCH
 RESET MAG/WASHER
 AFTER NEW PIPE
 INSTALLED
 8-24-06, MB
 FD MAG/WASHER
 REF39
 1-14-16, JFO
 SET MAG/WASHER
 11-29-17, JMR



O.D.O.T. DISTRICT 2 SURVEY OFFICE

PERSONNEL

REFERENCE NO. 39
28

SHEET 45 OF 47

NOTES ROUSOS MB

DATE 3-22-06
5-21-02

ROUTE S.R. 64

H.C. HOMAN MB

WEATHER CLOUDY

COUNTY LUCAS

R.C. MICHALAK MC

TEMP. 50° +34°

TOWNSHIP WATERVILLE

SECTION _____

T ___ R ___

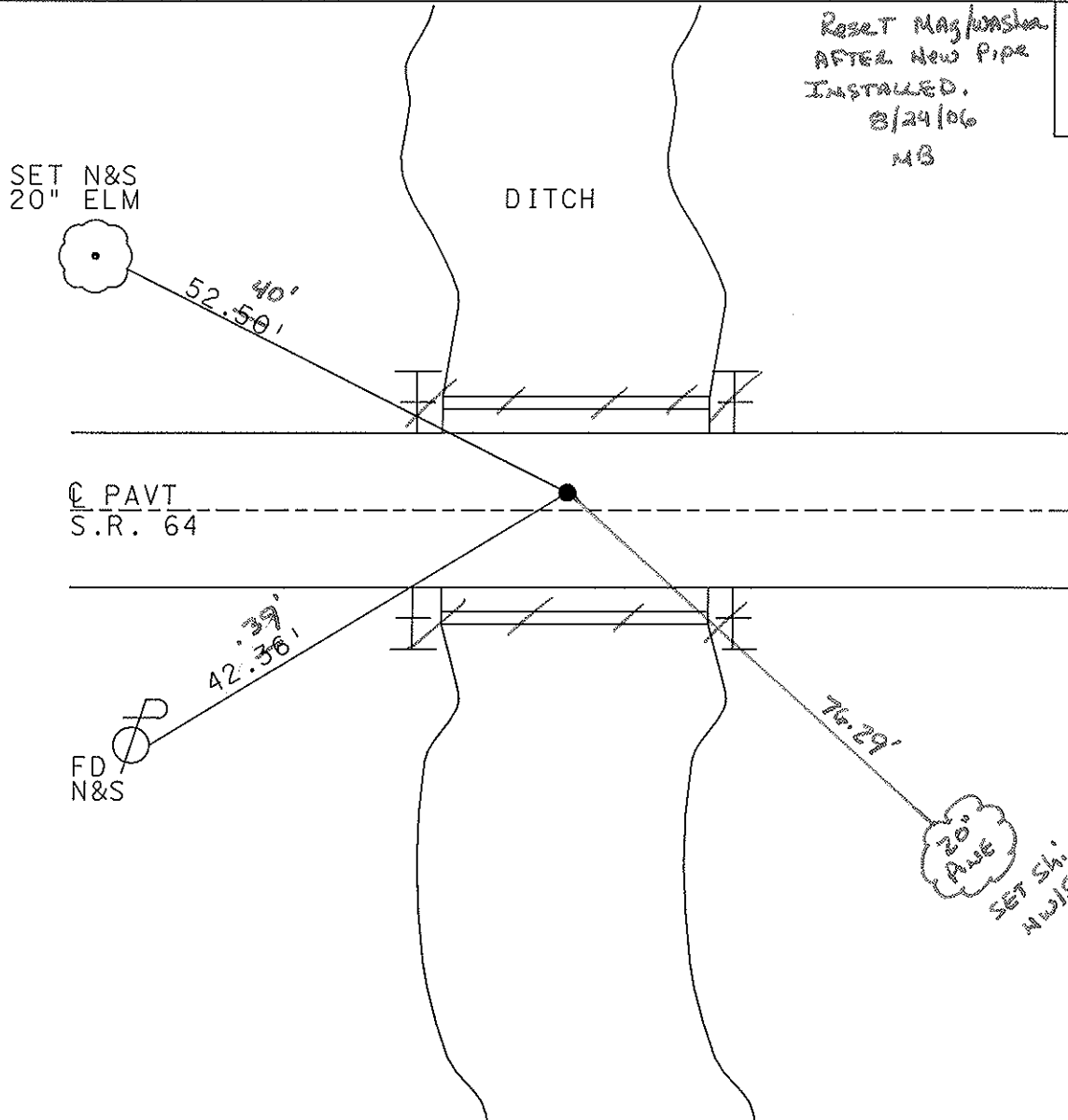
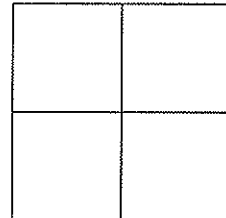
TYPE MONUMENT _____ P.K. NAIL _____

ON SURFACE - ~~BELOW~~ _____ YES _____

LEFT - Q PAVT - ~~RIGHT~~ _____ 1.8' _____

8.3 TO LT. EDGE PAVEMENT _____

S.L.M. _____ 308+78 _____



SET PK
NAIL &
WASHER
8-7-02
D.C.H.

SET N&S
20" ELM

40'
52.50'

DITCH

Q. PAVT
S.R. 64

FD
N&S

42.39'
42.36'

76.29'

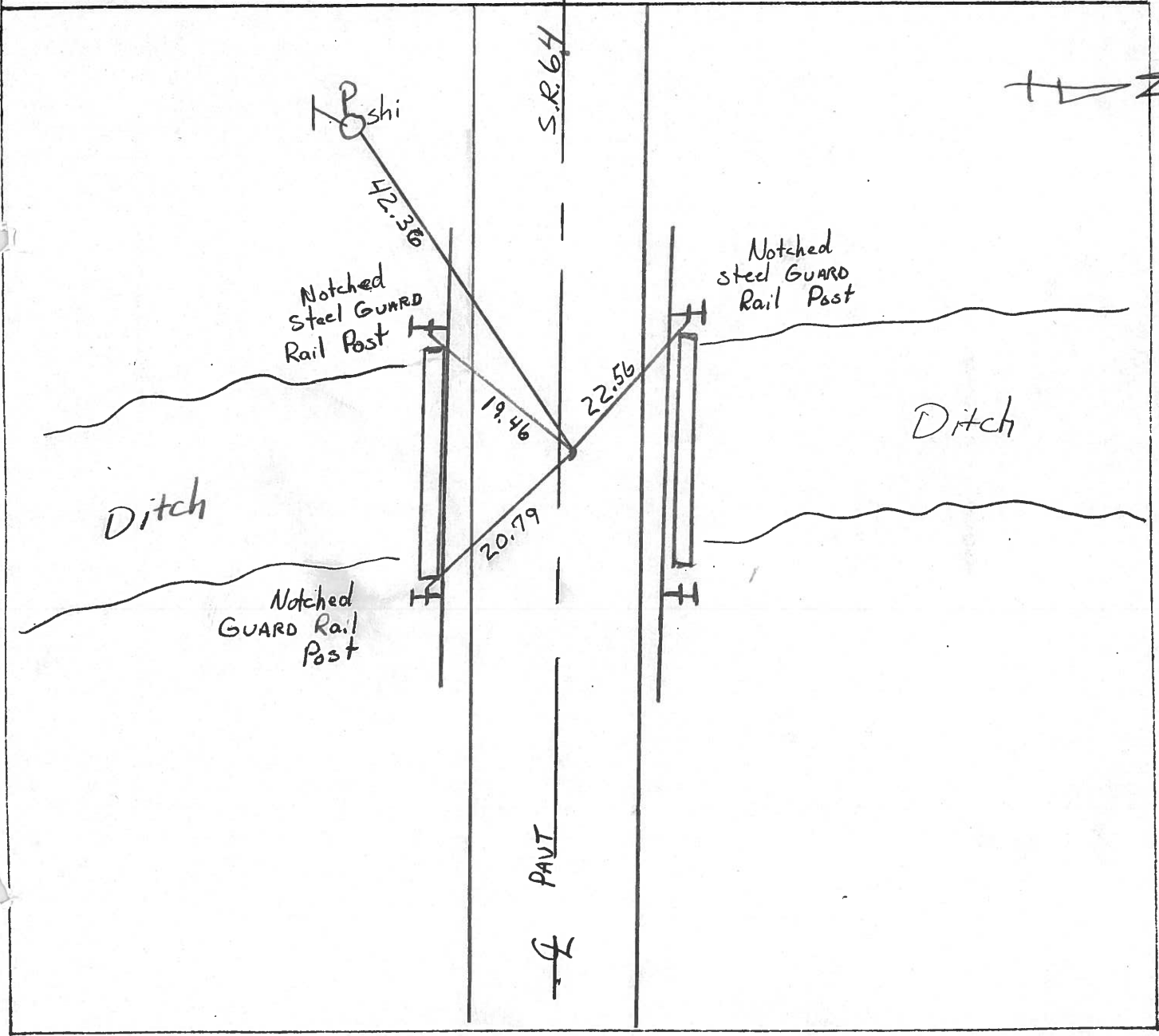
20"
PIPE
SET SH:
NWS

O.D.O.T. DISTRICT 2 SURVEY OFFICE

PERSONNEL _____ REFERENCE NO. 39 SHEET 41 OF 49
 NOTES LOEHRKE
 H.C. CURTIS DATE 8-8-91 ROUTE S.R. 64
 R.C. Luce WEATHER Clear COUNTY LUCAS
 _____ TEMP. +75 TOWNSHIP WATERVILLE
 _____ SECTION _____
 T _____ R _____

TYPE MONUMENT R.R. Spike
 ON SURFACE - BELOW Yes
 LEFT - 0 PAV'T. - RIGHT 26.0
Tile TO R+ EDGE PAVEMENT
 S.L.M. 309+

Set P.K./WASHEE
 3-5-92



PERSONNEL	TITLE	PERSONNEL	TITLE	COUNTY	<u>Livingston</u>	DATE	<u>7 April 77</u>
<u>Stacy</u>				S. R.	<u>64</u>	WEATHER	<u>Cool</u>
<u>&</u>				SEC.	<u>West of Whitehouse</u>	TEMP.	<u>45°</u>
<u>Crew</u>							

DESCRIPTION References to Control Points LEFT CENTER LINE RIGHT JOB NO.

