

O.D.O.T. DISTRICT 2 SURVEY OFFICE (USE ONLY)

PERSONNEL

REFERENCE NO. 54

SHEET 53 OF 56

NOTES NIESE DATE 5/9/23  
 H.C. AUBLE WEATHER SUNNY  
 R.C. ASTON TEMP. 60°

ROUTE SR 64  
 COUNTY LUCAS  
 TOWNSHIP SWANTON  
 SECTION 19  
 T 7 N R 5 E

DWG BY RHOADES PID PAVING TRAIN

TYPE MONUMENT MAG/WASHER

ON SURFACE - ~~BELOW~~ ON

OFFSET  $\bar{C}$  PAVEMENT 0.9' ~~LT~~ : RT

- TO - EDGE PAVEMENT

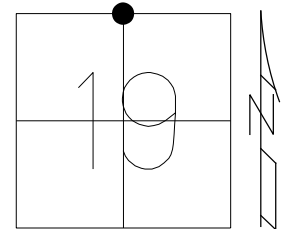
STATION: 576+52.27

HORZ. DATUM: NAD83 (2011)

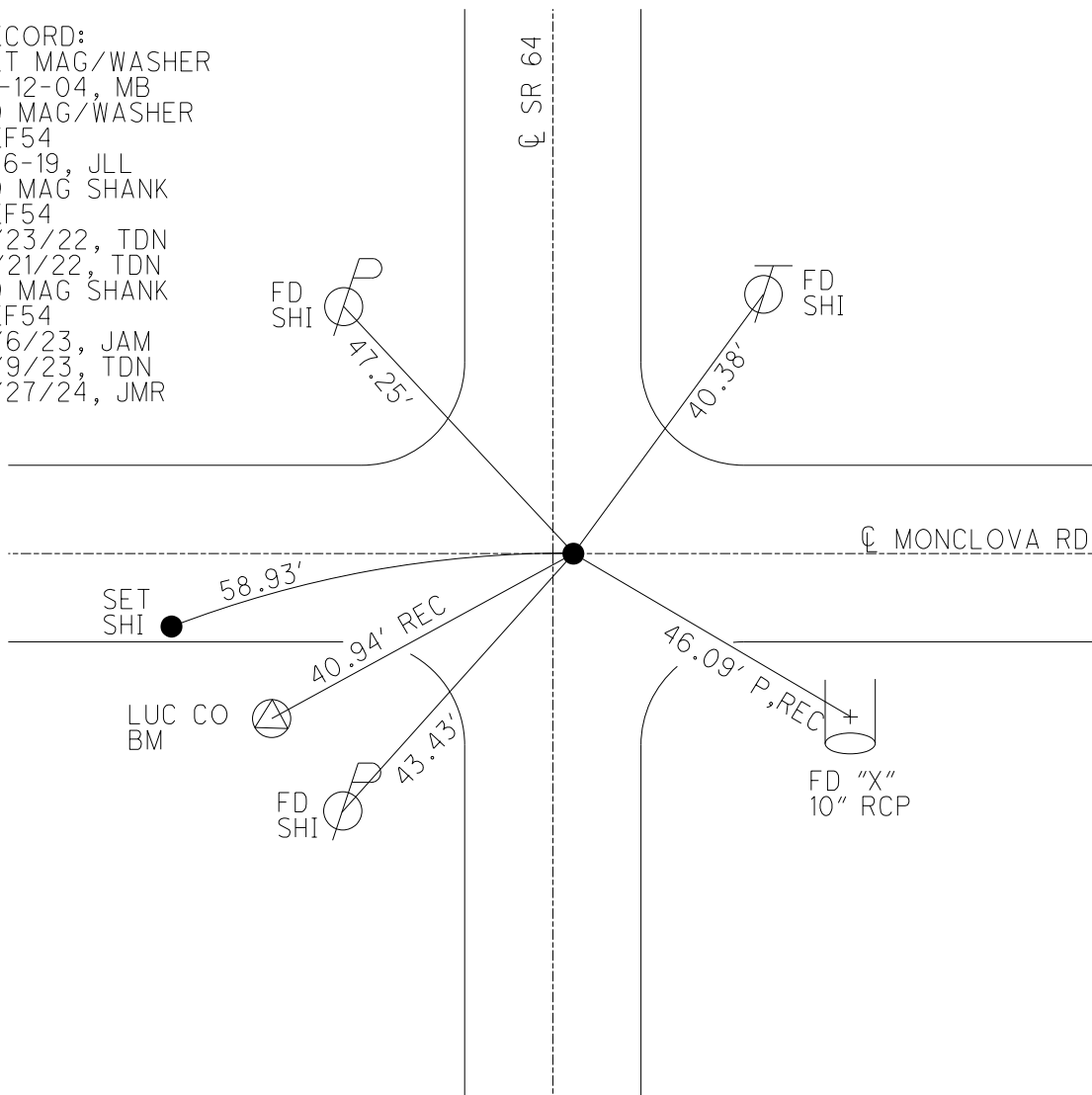
GEOID: NAVD88 2018

GRID: NORTHING: 692740.240

EASTING: 1592700.807



RECORD:  
 SET MAG/WASHER  
 10-12-04, MB  
 FD MAG/WASHER  
 REF54  
 3-6-19, JLL  
 FD MAG SHANK  
 REF54  
 8/23/22, TDN  
 11/21/22, TDN  
 FD MAG SHANK  
 REF54  
 2/6/23, JAM  
 5/9/23, TDN  
 2/27/24, JMR



O.D.O.T. DISTRICT 2 SURVEY OFFICE (USE ONLY)

PERSONNEL

REFERENCE NO. 54

SHEET 53 OF 56

NOTES BALBAUGH

DATE 5/11/20

ROUTE SR 64

H.C. LEU

WEATHER CLOUDY

COUNTY LUCAS

R.C. AUBLE

TEMP. 39°

TOWNSHIP SWANTON

SECTION 19

DWG BY GARRETT

PID 107059

T 7 N R 5 E

TYPE MONUMENT MAG/WASHER

ON SURFACE - ~~BELOW~~ ON

OFFSET  $\odot$  PAVEMENT 0.9' ~~LT~~ : RT

- TO - EDGE PAVEMENT

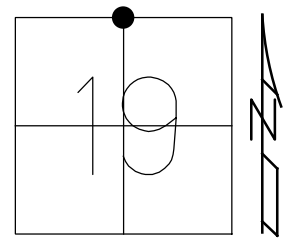
STATION: 576+52.27

HORZ.DATUM: NAD83 (2011)

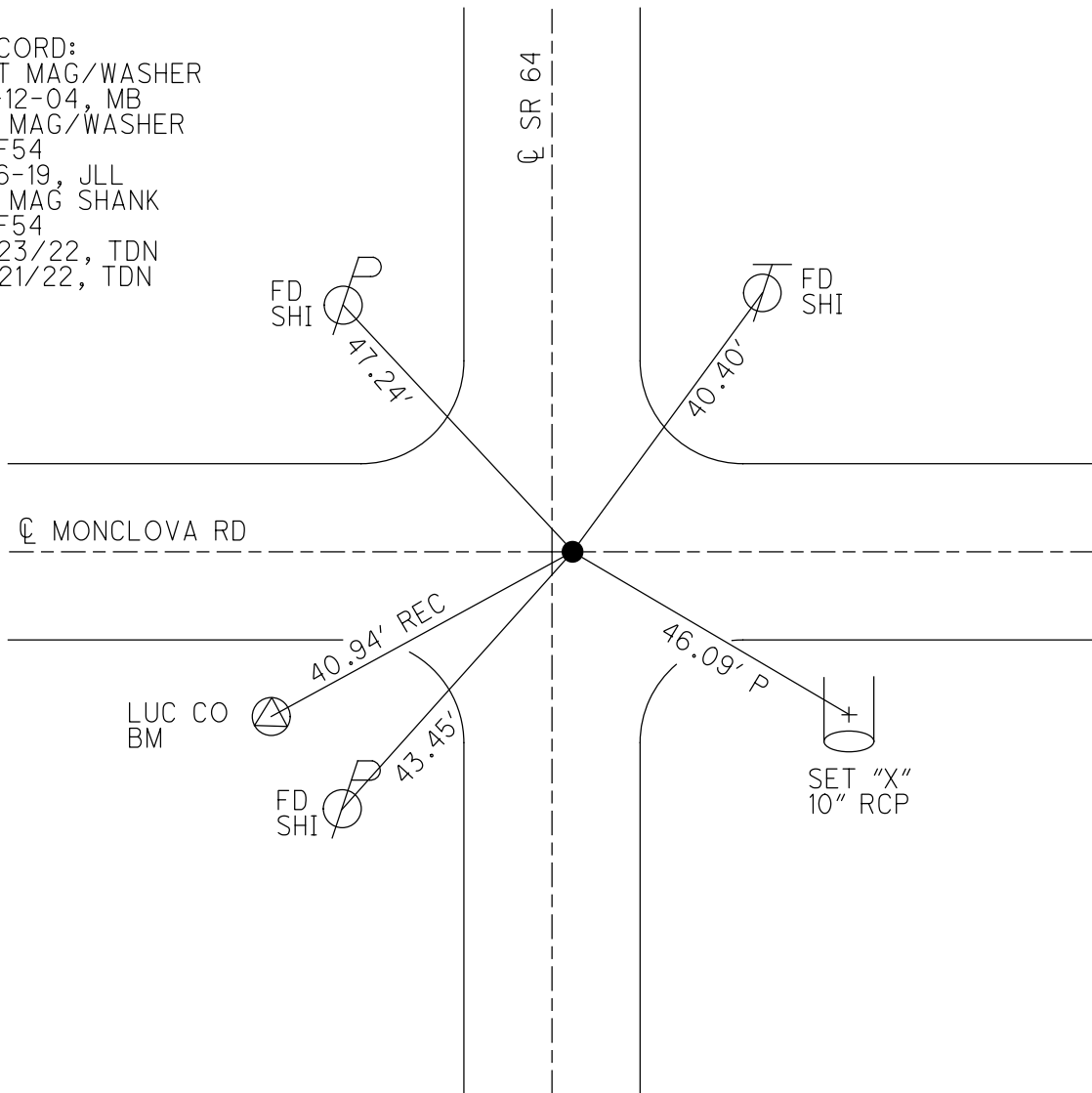
GEOID: 2012A

GRID: NORTHING: 692740.240

EASTING: 1592700.807



RECORD:  
 SET MAG/WASHER  
 10-12-04, MB  
 FD MAG/WASHER  
 REF54  
 3-6-19, JLL  
 FD MAG SHANK  
 REF54  
 8/23/22, TDN  
 11/21/22, TDN



O.D.O.T. DISTRICT 2 SURVEY OFFICE (USE ONLY)

PERSONNEL

REFERENCE NO. 54

SHEET 53 OF 56

NOTES BALBAUGH

DATE 5/11/20

ROUTE SR 64

H.C. LEU

WEATHER CLOUDY

COUNTY LUCAS

R.C. AUBLE

TEMP. 39°

TOWNSHIP SWANTON

DWG BY GARRETT PID 107059

SECTION 19

T 7 N R 5 E

TYPE MONUMENT MAG/WASHER

ON SURFACE - ~~BELOW~~ ON

OFFSET ☉ PAVEMENT 0.9' ~~LT~~ : RT

- TO - EDGE PAVEMENT

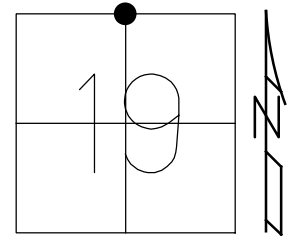
STATION: 576+52.27

HORZ. DATUM: NAD83 (2011)

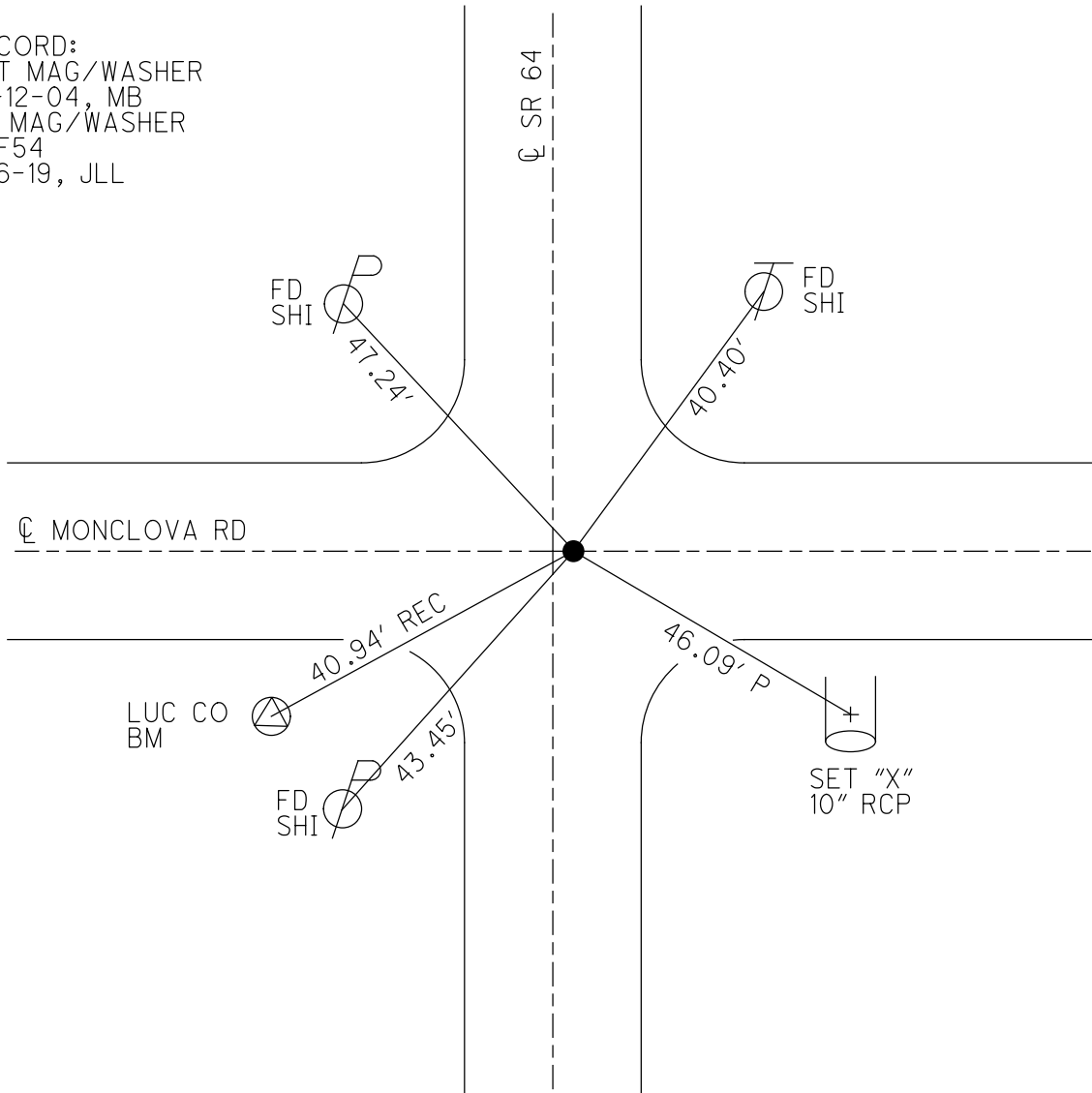
GEOID: 2012A

GRID: NORTHING: 692740.240

EASTING: 1592700.807



RECORD:  
 SET MAG/WASHER  
 10-12-04, MB  
 FD MAG/WASHER  
 REF54  
 3-6-19, JLL



O.D.O.T. DISTRICT 2 SURVEY OFFICE

PERSONNEL

REFERENCE NO. 54

SHEET 7 OF 10

NOTES \_\_\_\_\_ HUSS \_\_\_\_\_

DATE 6-16-04

ROUTE SR 64

H.C. \_\_\_\_\_ HOMAN \_\_\_\_\_

WEATHER CLOUDY

COUNTY LUCAS

R.C. \_\_\_\_\_ HUSS \_\_\_\_\_

TEMP. 78°

TOWNSHIP SWANTON

SECTION 19

T 7 N R 5 E

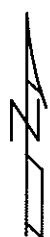
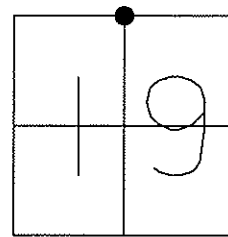
TYPE MONUMENT \_\_\_\_\_ SM RR SPIKE \_\_\_\_\_

ON SURFACE ~~-BELOW~~ \_\_\_\_\_ YES \_\_\_\_\_

~~LEFT - C PAVT~~ - RIGHT 0.9' RT

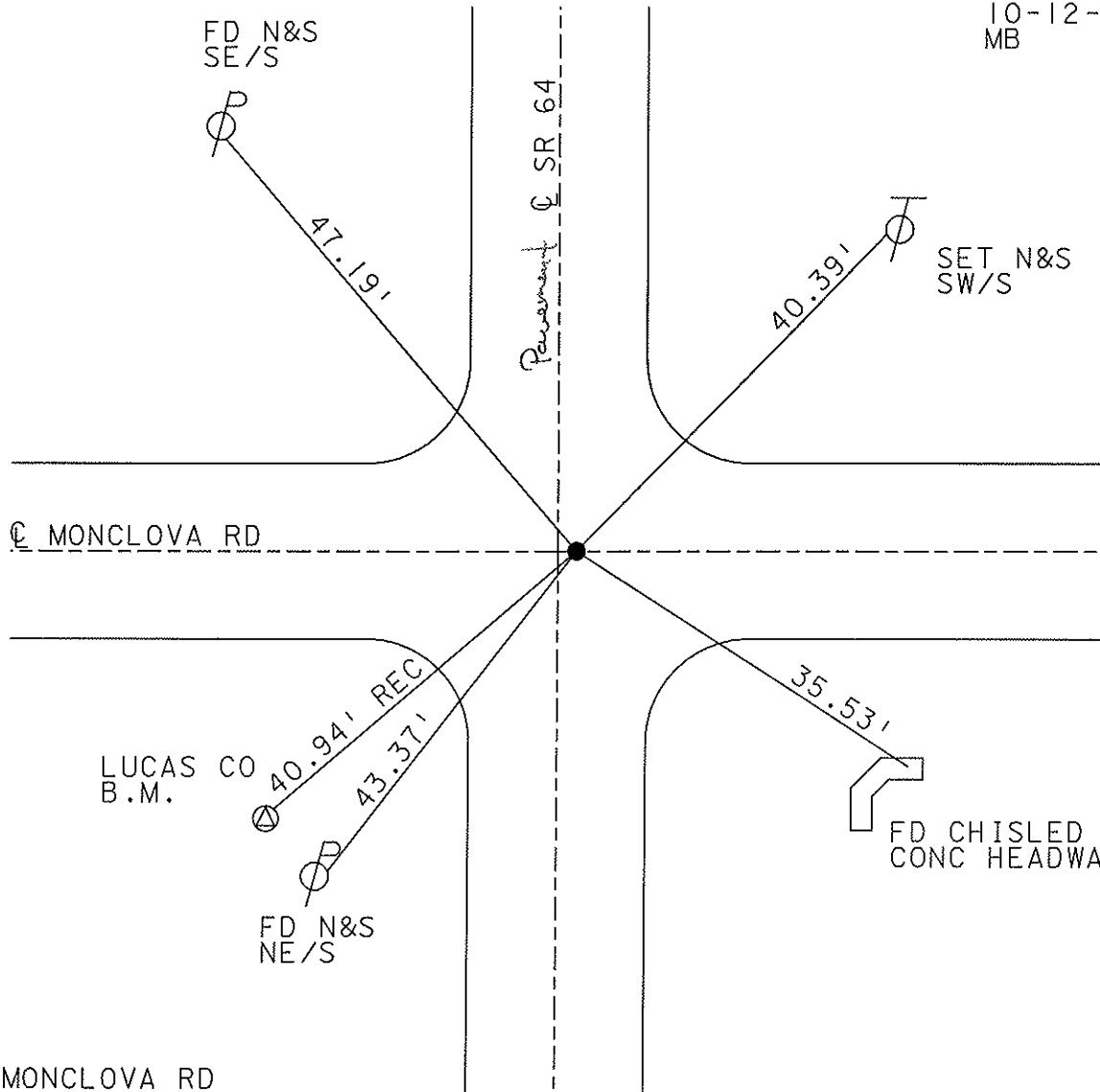
\_\_\_\_\_ TO \_\_\_\_\_ EDGE PAVEMENT

S.L.M. \_\_\_\_\_ 577+16 \_\_\_\_\_



N 1/4 COR 18-19

SET MAG NAIL  
& WASHER  
10-12-04  
MB



ON C MONCLOVA RD

# O.D.O.T. DISTRICT 2 SURVEY OFFICE

PERSONNEL \_\_\_\_\_

REFERENCE NO. 54

SHEET 7 OF 9

NOTES J. Householder

H.C. D. Curtis

DATE Sept. 25, 1986

ROUTE S.R. 64

R.C. \_\_\_\_\_

WEATHER P. Cloudy

COUNTY Lucas

TEMP. + 75°

TOWNSHIP Swanton

SECTION 19

T. \_\_\_\_\_ R. \_\_\_\_\_

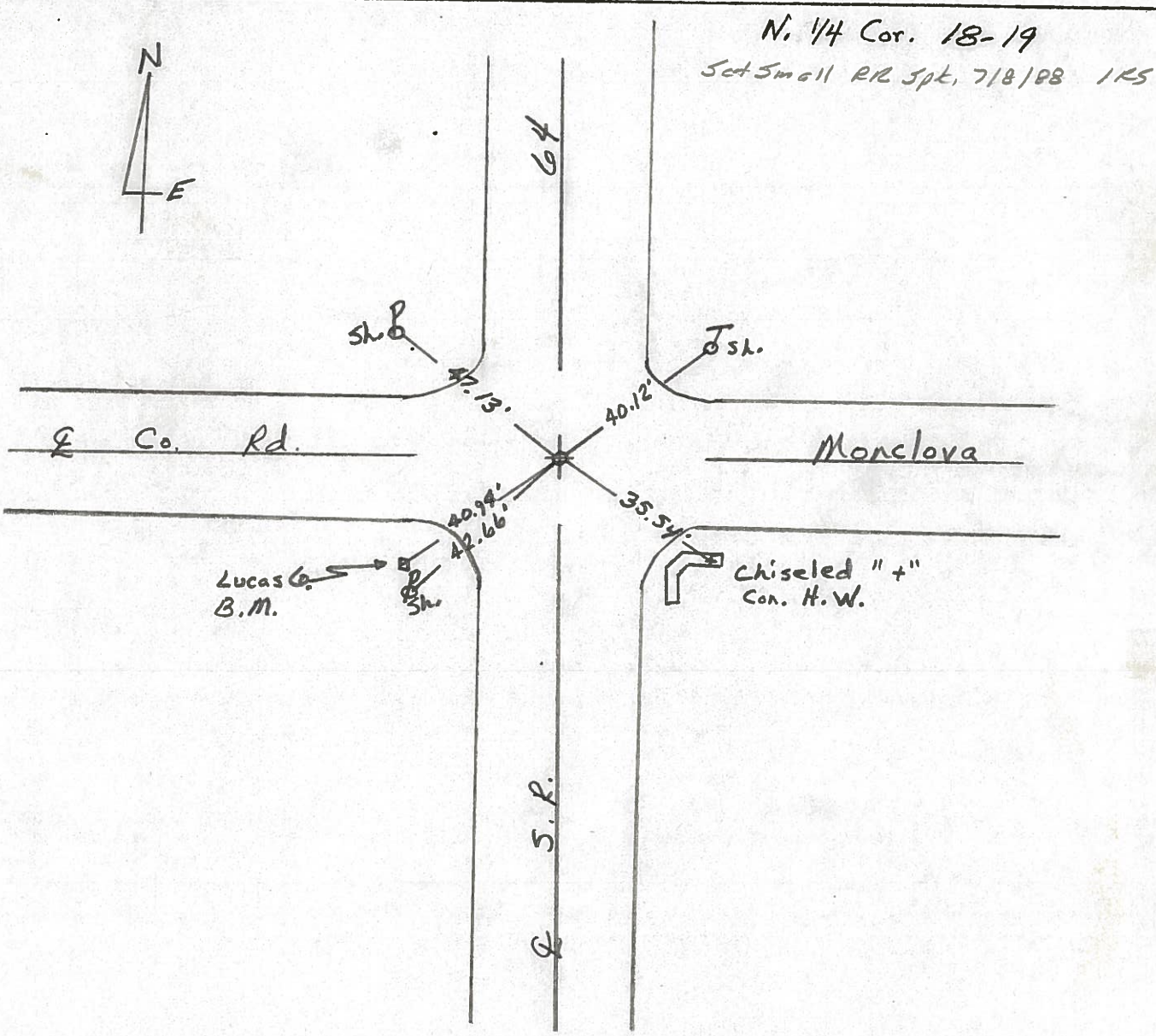
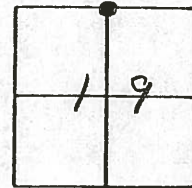
TYPE MONUMENT R.R. Spike

ON SURFACE - BELOW Surface

LEFT - ☉ PAV'T. - RIGHT 1' Right

TO \_\_\_\_\_ EDGE PAVEMENT

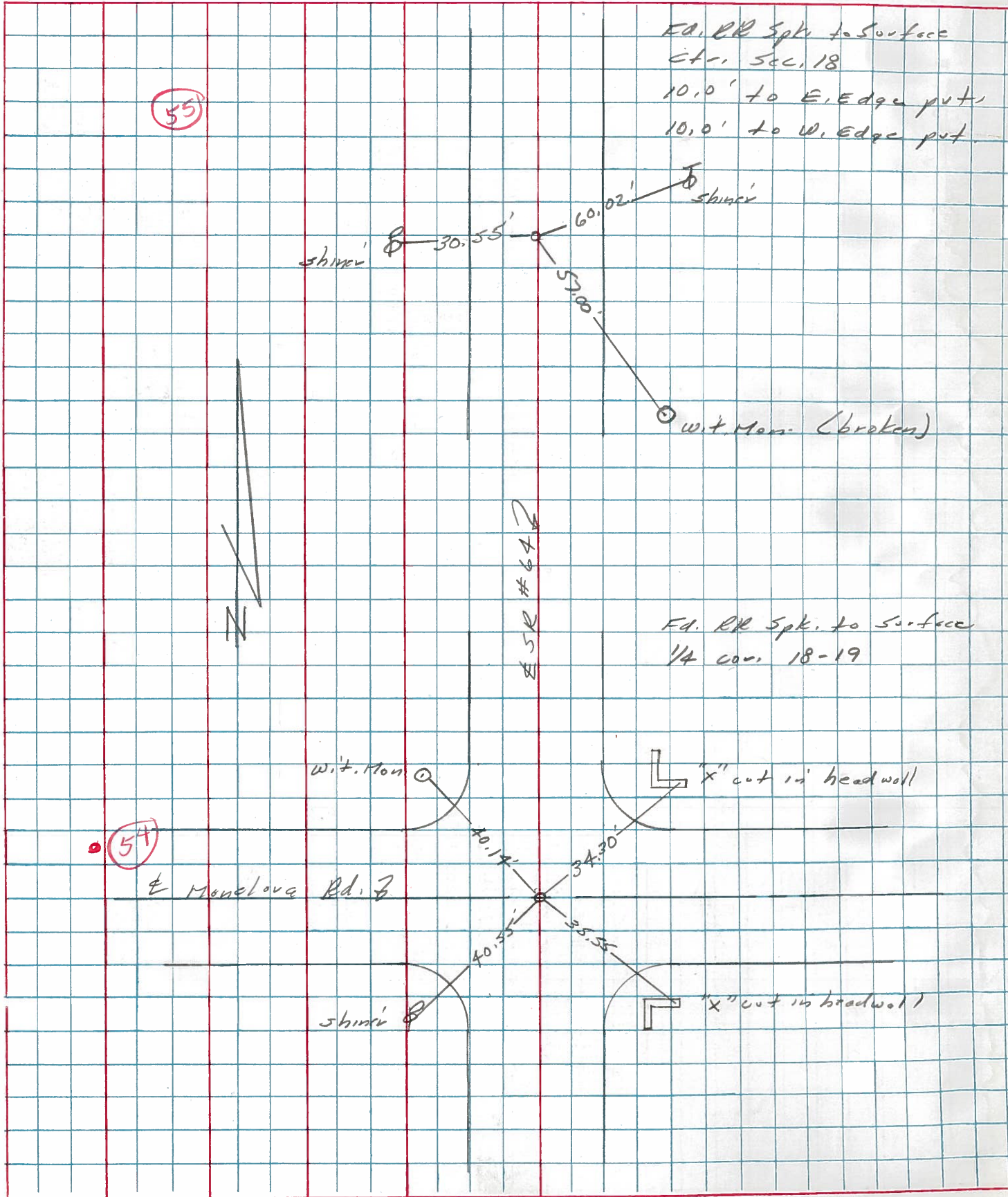
S.L.M. 577 + 16





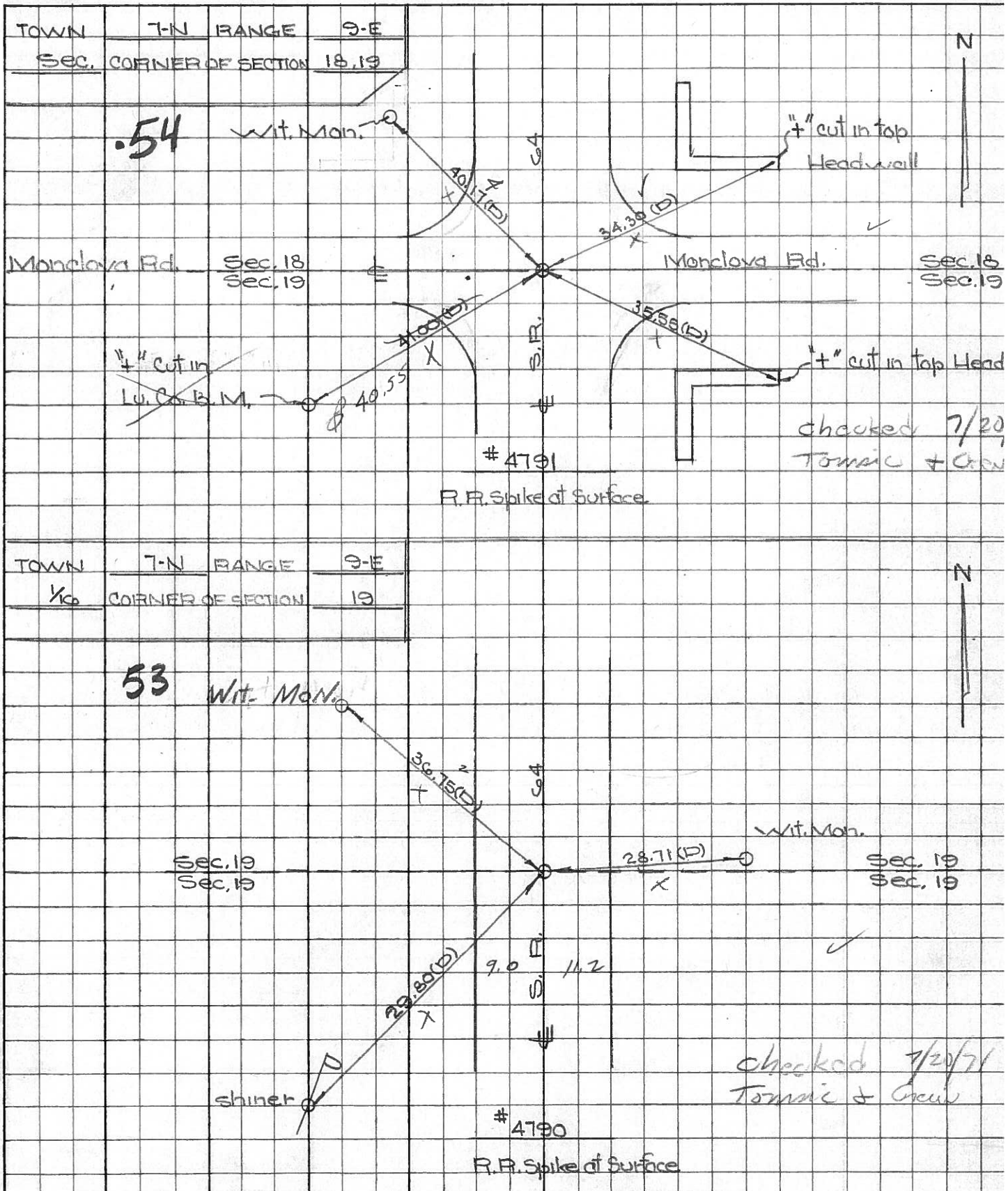
PERSONNEL TITLE PERSONNEL TITLE COUNTY Lucas DATE 21 March 7  
 Stone & Crew S. R. 64 WEATHER Cold  
 SEC. TEMP. 33°

DESCRIPTION References to Control Points LEFT CENTER LINE RIGHT JOB NO.



PERSONNEL TITLE PERSONNEL TITLE COUNTY Lucas DATE Aug. 20, 19  
 W. Dennis \_\_\_\_\_ S. R. C4 WEATHER warm  
 D. Curtis \_\_\_\_\_ SEC. \_\_\_\_\_ TEMP. 85° ±  
 J. Teal \_\_\_\_\_  
 J. Brindley \_\_\_\_\_

DESCRIPTION S.R. C4 - Ref. Mon. & Control Points JOB NO. 02994 (C)





PERSONNEL TITLE PERSONNEL TITLE COUNTY Lucas DATE 4 Mar. 66  
 Slone \_\_\_\_\_  
 Beck \_\_\_\_\_ S. R. # 64 WEATHER Windy  
 Brindley \_\_\_\_\_  
 Schroder \_\_\_\_\_ SEC. N. From Sunshine Cons. TEMP. 78°

DESCRIPTION Rets. To Central Pts. JOB NO.

	LEFT	CENTER LINE	RIGHT	
#199	N. Line Sec. 30 Fd. R.R. Spk. To Surface	13.71'	E. To "+" on S.E. Cor. Bridge Wall	
		13.82'	W. To "+" on S.W. Cor. Bridge Wall	
		21.32'	N.E. To "+" on N.E. Cor. Bridge Wall	
		21.51'	N.W. To "+" on N.W. Cor. Bridge Wall	
#198	Int. Reel Rd. Fd. R.R. Spk. To Surface	44.02	S.W. To Con. Wit. Mon. (D)	
		40.91	S.E. Con Wit Mon. (D)	
		38.22	N.E. To Hole in Lu. Co. R.M. (D)	
		36.08	N.W. To Hole in T.P. (D)	
			N.W. "+" Cut in top Headwall	
#197	E & W. Sec. 19 Fd. R.R. Spk. To Surface	27.46'	W. To Con. Wit. Mon. (D)	
		43.98'	N.E. To Con. Wit. Mon. (D)	
		39.48'	S.E. To Con. Wit. Mon. (D)	
		34.77'	W.S.W. To Shiner in 8" Tree (D)	
#196	Between Wabash R.R. & Monclova Rds. Fd. R.R. Spk. To Surface	29.81'	W. S.W. To Shiner in T.P. (D)	
		29.87'	N.E. To Shiner in T.P. (D)	
		28.71'	E. To Con. Wit. Mon. (D)	
		36.75'	N.W. To Con. Wit. Mon. (D)	
#195	Into Monclova Rd. Fd. R.R. Spk. To Surface	35.56'	S.E. To "+" on Con. Head Wall (D)	
		39.30' OK	N.E. To "+" on Con. Head Wall (D)	
		37.07'	S.W. To Bottom of "V" in Lu. Co. R.M. (D)	
		38.65'	N.W. To "+" on Con. Head Wall (D)	
#194	Between Monclova Rds. & E & W. Sec. 18 Could Not Find			