

O.D.O.T. DISTRICT 2 SURVEY OFFICE (USE ONLY)

PERSONNEL

REFERENCE NO. 17

SHEET 8 OF 37

NOTES LOEHRKE

DATE 7/15/97

ROUTE US 120

H.C. LOEHRKE

WEATHER FAIR

COUNTY LUCAS

R.C. HUSS

TEMP. 82°

TOWNSHIP CITY OF TOLEDO

COX

SECTION 30

DWG BY NIESE PID _____

T 9 S R 7 E

TYPE MONUMENT MONBOX

ON SURFACE - ~~BELOW~~ ON

OFFSET \varnothing PAVEMENT ON LT : RT

27.0' TO LT EDGE PAVEMENT

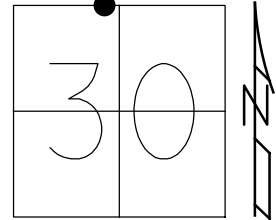
STATION: 666+11

HORZ. DATUM: _____

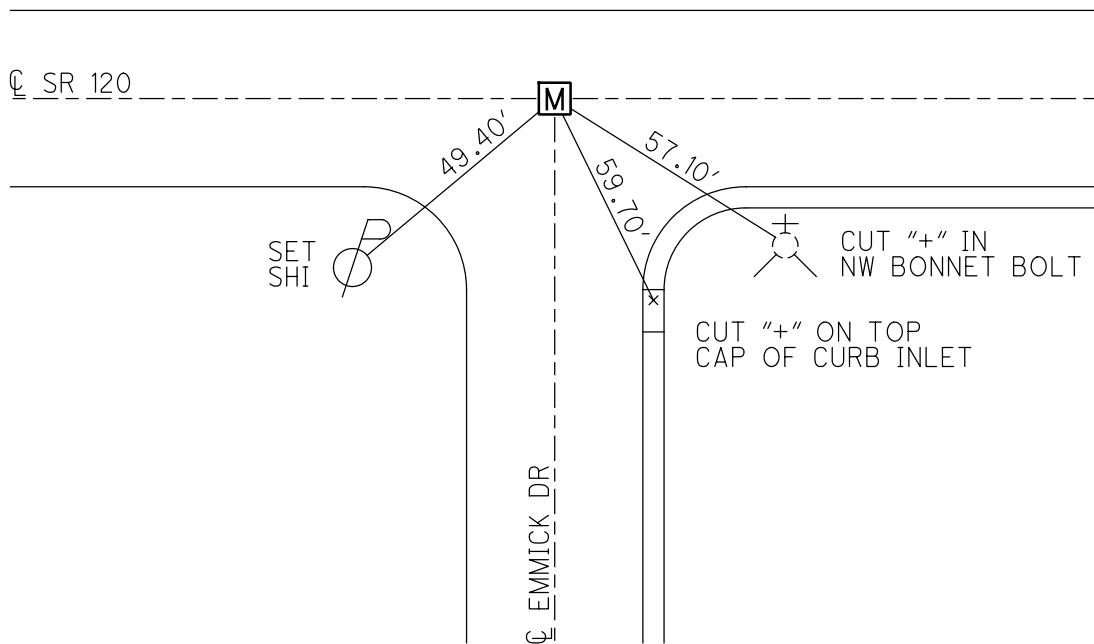
GEOID: _____

GRID: NORTHING: _____

EASTING: _____



RECORD:
FD MONBOX
7/15/97, CL



PERSONNEL	TITLE	PERSONNEL	TITLE
Tamsic			
Neuser			
Vanya			
Granata			

COUNTY Lucas DATE Sept. 11, 1972
 S. R. U.S. 120 WEATHER _____
 SEC. Central Ave TEMP. _____

DESCRIPTION Central LEFT CENTER LINE RIGHT JOB NO. _____

