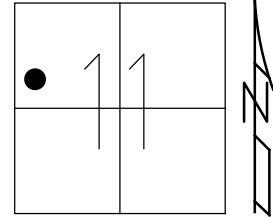


O.D.O.T. DISTRICT 2 SURVEY OFFICE (USE ONLY)

PERSONNEL _____ REFERENCE NO. 2 SHEET 2 OF 18
 NOTES RHOADES DATE 8/8/18 ROUTE SR 184
 H.C. O'DONNELL WEATHER SUNNY COUNTY LUCAS
 R.C. TRENKA TEMP. 70°F TOWNSHIP SYLVANIA
 SECTION 11
 DWG BY NIESE PID 99662 T 9 N R 6 E

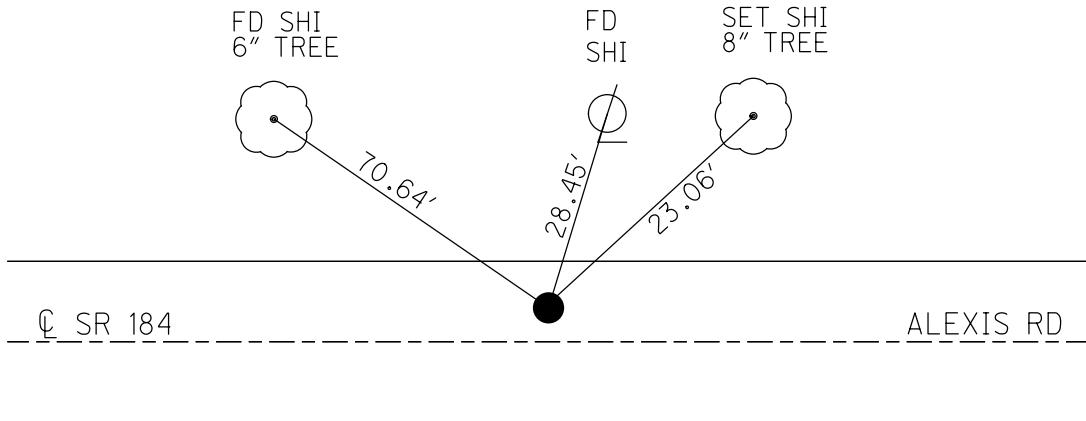
TYPE MONUMENT MAG/WASHER
 ON SURFACE - ~~BELOW~~ ON
 OFFSET 10.5' LT : ~~RT~~
15.8' TO LT EDGE PAVEMENT
 STATION: 15+47.75



HORZ.DATUM: NAD83(2011) GEOID: 2012A
 GRID: NORTHING: 748786.390 EASTING: 1645842.699

RECORD:
 FD BRASS PLUG
 2" DOWN
 SET P.K./WASHER
 8/12/93
 FD P.K.SHANK
 8/2/10, DCH
 SET MAG/WASHER
 10/12/10
 FD MAG/WASHER
 REF2
 8/9/18, JFO
 SET MAG/WASHER
 9/17/19, JFO

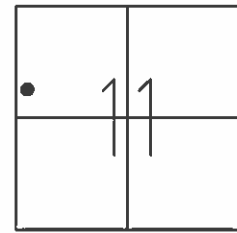
#5750 #5740



O.D.O.T. DISTRICT 2 SURVEY OFFICE (USE ONLY)

PERSONNEL _____ REFERENCE NO. 2 SHEET 2 OF 18
 NOTES FINTEL DATE 8/2/10 ROUTE SR 184
 H.C. ROUSOS WEATHER SUNNY COUNTY LUCAS
 R.C. FINTEL TEMP. 80° F TOWNSHIP SYLVANIA
 _____ SECTION 11
 _____ T 9 S R 6 E

TYPE MONUMENT PK SHANK
 ON SURFACE - ~~BELOW~~ SURFACE
 LEFT - ☉ PAV'T - ~~RIGHT~~ 10.5'
15.8' TO LT. EDGE PAVEMENT
 S.L.M. 26+66

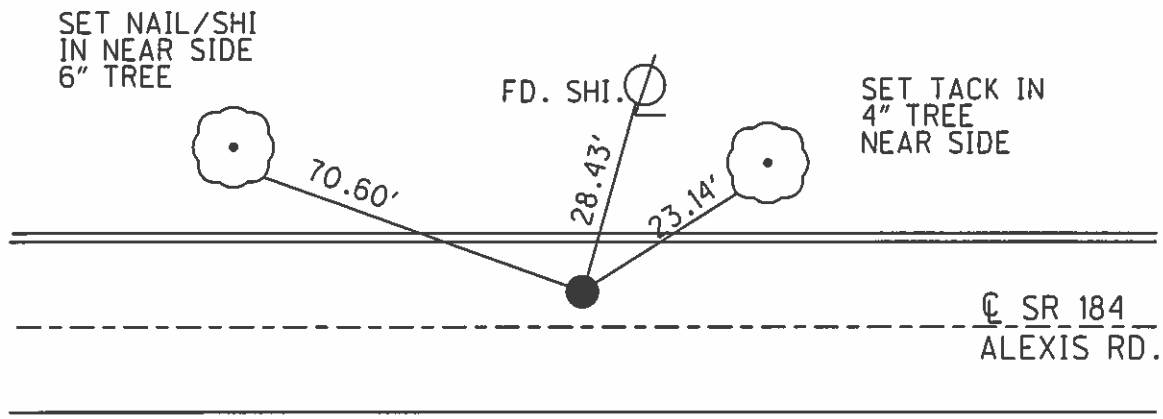


Grid: Northing: 748786.403 Easting: 1645842.533

RECORD:
 BRASS PLUG
 2" DOWN
 SET PK/WASHER
 8/12/93
 SET MAG NAIL/WASHER
 10/12/10

#5750

#5740



O.D.O.T. DISTRICT 2 SURVEY OFFICE

PERSONNEL _____

REFERENCE NO. 2

SHEET 2 OF 20

NOTES LOEMRKE

H.C. CORDES

DATE 7-20-93

ROUTE S.R. 120

R.C. ROMETO

WEATHER CLEAR

COUNTY LUCAS

CANTERBURY

TEMP. +78

TOWNSHIP _____

Set PK./WASHER

SECTION _____

8-12-93

T. _____ R. _____

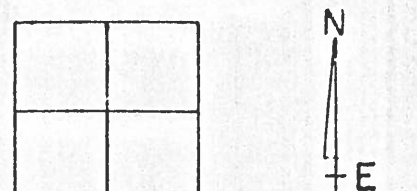
TYPE MONUMENT BRASS PLUG

ON SURFACE - BELOW _____

LEFT - C PAV'T. - RIGHT 10.5

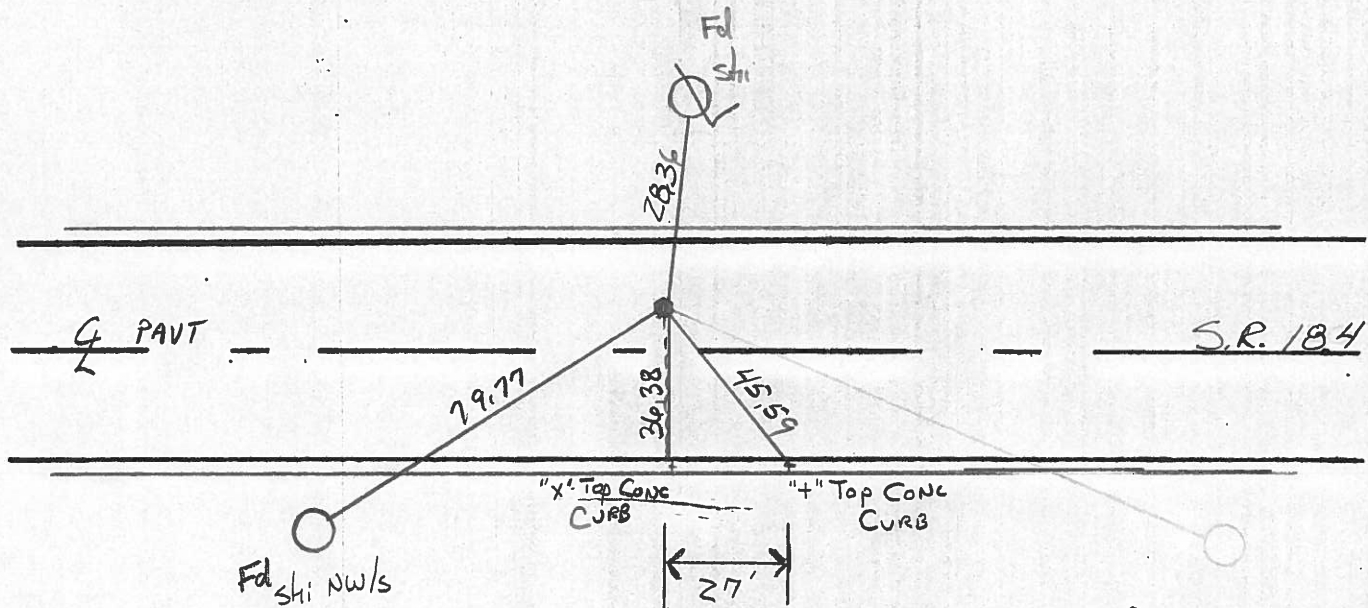
15.8 TO Lt EDGE PAVEMENT CURB

S.L.M. 26 + 66



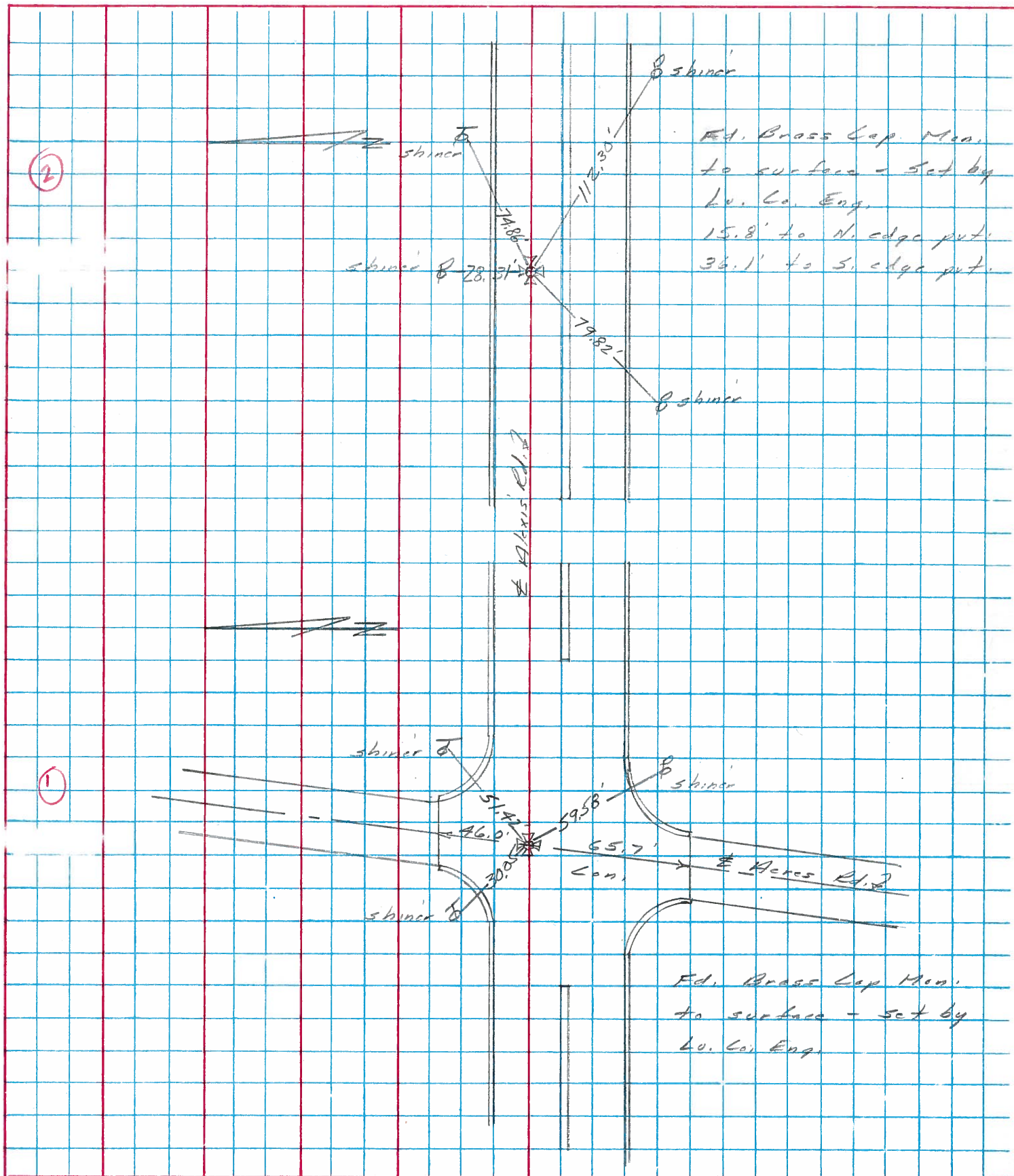
5750
ALEXIS Rd.

5740
ALEXIS Rd.



PERSONNEL	TITLE	PERSONNEL	TITLE	COUNTY	DATE
Stone				Lucas	19 Feb. 76
Michalek				S. R. 184	WEATHER Cloudy
Curtis				SEC. 0.00	TEMP. 34°

DESCRIPTION References to Control Points JOB NO. _____



PERSONNEL	TITLE	PERSONNEL	TITLE	COUNTY	DATE
Jonc	Notes			Lucas	18 June 68
Beck	Flag			S. R. 23-24-25 Bypass	WEATHER Fair
Michalak	Tape			SEC. Alexis Rd.	TEMP. 66°
Schroder	Tape				

DESCRIPTION References to Control Points JOB NO. _____

LEFT CENTER LINE RIGHT

