

O.D.O.T. DISTRICT 2 SURVEY OFFICE (USE ONLY)

PERSONNEL

REFERENCE NO. 15

SHEET 16 OF 18

NOTES RHOADES

DATE 8/9/18

ROUTE SR 184

H.C. O'DONNELL

WEATHER SUNNY

COUNTY LUCAS

R.C. TRENKA

TEMP. 80°

TOWNSHIP SYLVANIA

SECTION 12

DWG BY NIESE

PID 99662

T 9 N R 6 E

TYPE MONUMENT "+"

ON SURFACE - ~~BELOW~~ ON

OFFSET CL PAVEMENT 40.2 LT : ~~RT~~

10.2' TO LT EDGE PAVEMENT

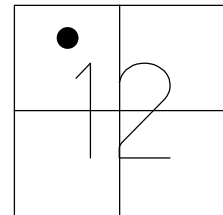
STATION: 71+56.45

HORZ.DATUM: NAD83(2011)

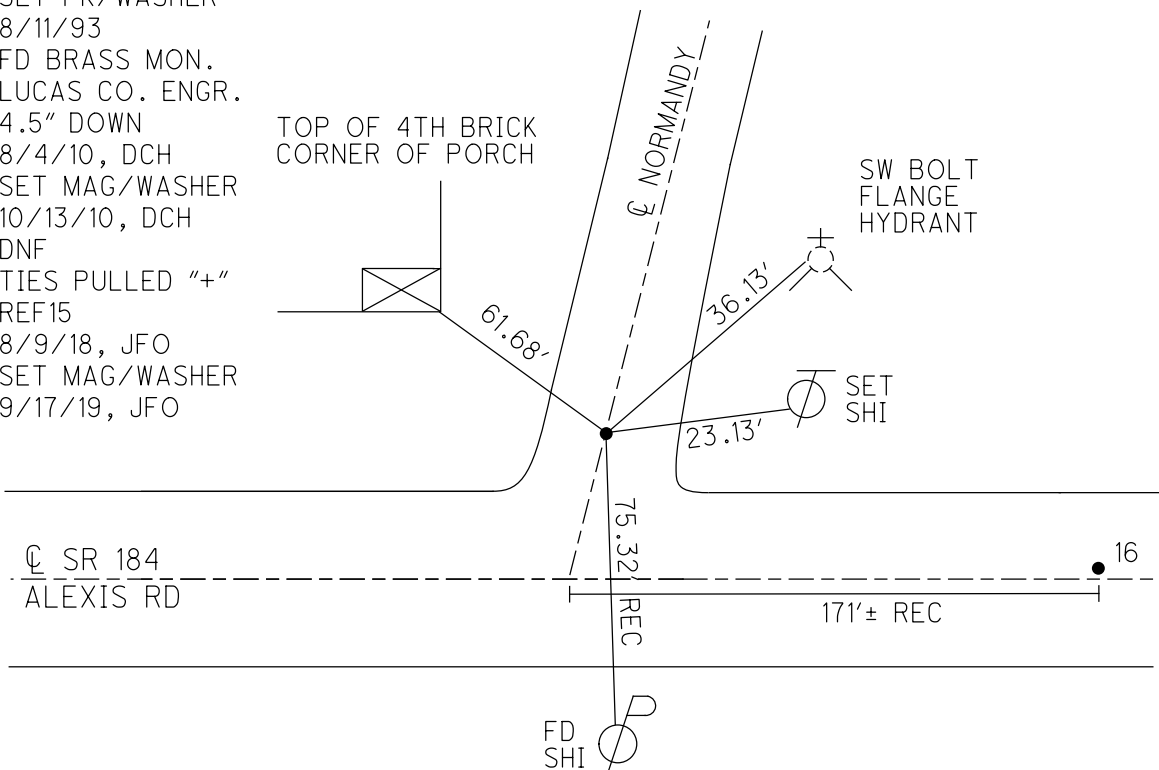
GEOID: 2012A

GRID: NORTHING: 749665.999

EASTING: 1651385.964



RECORD:
 SLM 1.57
 SET PK/WASHER
 8/11/93
 FD BRASS MON.
 LUCAS CO. ENGR.
 4.5" DOWN
 8/4/10, DCH
 SET MAG/WASHER
 10/13/10, DCH
 DNF
 TIES PULLED "+"
 REF15
 8/9/18, JFO
 SET MAG/WASHER
 9/17/19, JFO



O.D.O.T. DISTRICT 2 SURVEY OFFICE (USE ONLY)

| | | |
|--------------------|-------------------------|------------------------------|
| PERSONNEL | REFERENCE NO. <u>15</u> | SHEET <u>16</u> OF <u>18</u> |
| NOTES <u>HOMAN</u> | DATE <u>8/4/10</u> | ROUTE <u>SR. 184</u> |
| H.C. <u>ROUSOS</u> | WEATHER <u>SUNNY</u> | COUNTY <u>LUCAS</u> |
| R.C. <u>FINTEL</u> | TEMP. <u>80° F</u> | TOWNSHIP <u>SYLVANIA</u> |
| | | SECTION <u>12</u> |
| | | T <u>9</u> S R <u>6</u> E |

TYPE MONUMENT BRASS MON. LUCAS CO. ENG.

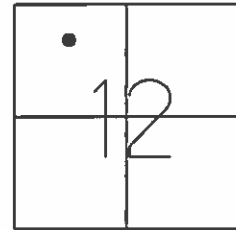
~~ON SURFACE~~ - BELOW 4.5"

LEFT - ☉ PAV'T - ~~RIGHT~~ 40.2'

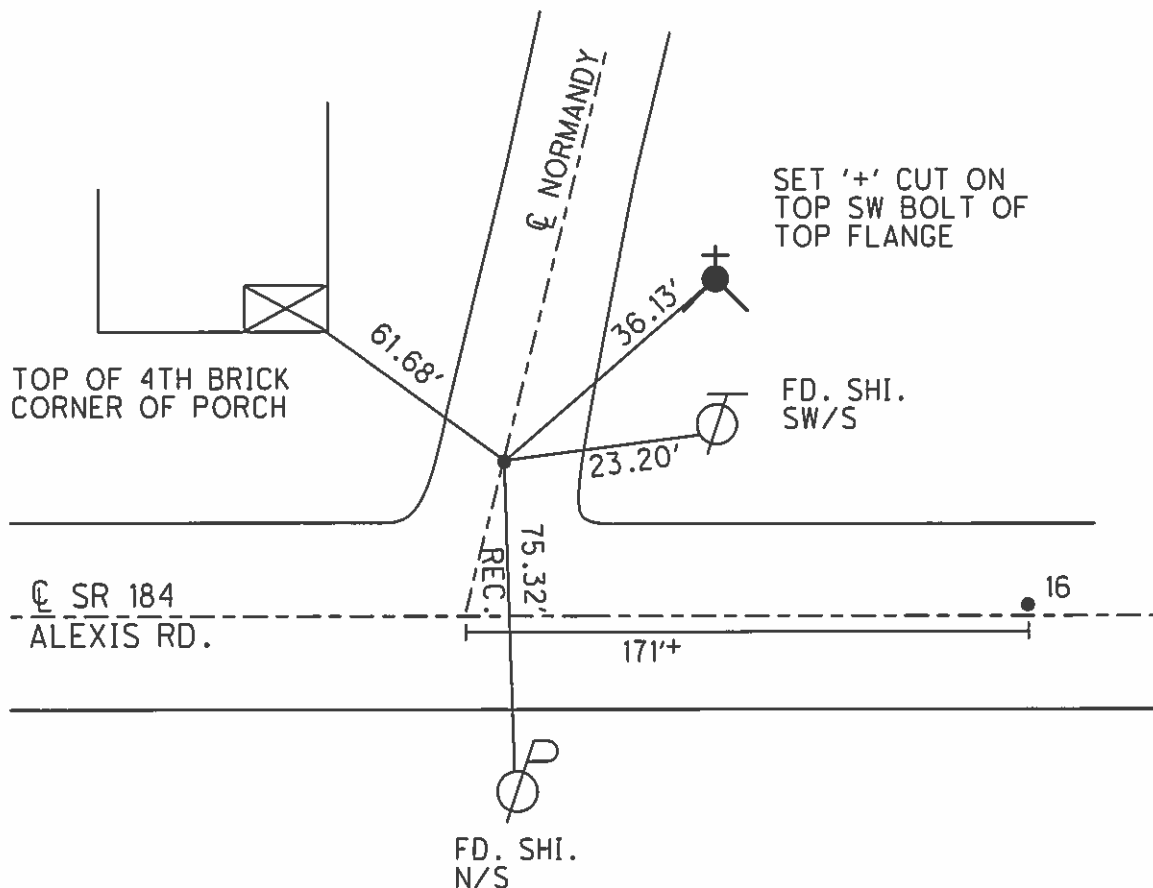
10.2' TO LT. EDGE PAVEMENT

S.L.M. 82+78

Grid: Northing: 749665.812 Easting: 1651385.708



RECORD:
 SLM.1.57
 SET PK/WASHER
 8/11/93
 SETMAG/WASHER
 10/13/10



O.D.O.T. DISTRICT 2 SURVEY OFFICE

PERSONNEL _____

REFERENCE NO. 15 & 16

SHEET 14 OF 20

NOTES LOEHRKE

H.C. CORDES

R.C. ROMETO

CANTERBURY

DATE 7-19-93

WEATHER Cloudy

TEMP. +82

ROUTE S.R. #184

COUNTY LUCAS

TOWNSHIP _____

SECTION _____

T _____ R _____

"B" ⇒ Reset P.K./WASHER
8-11-93

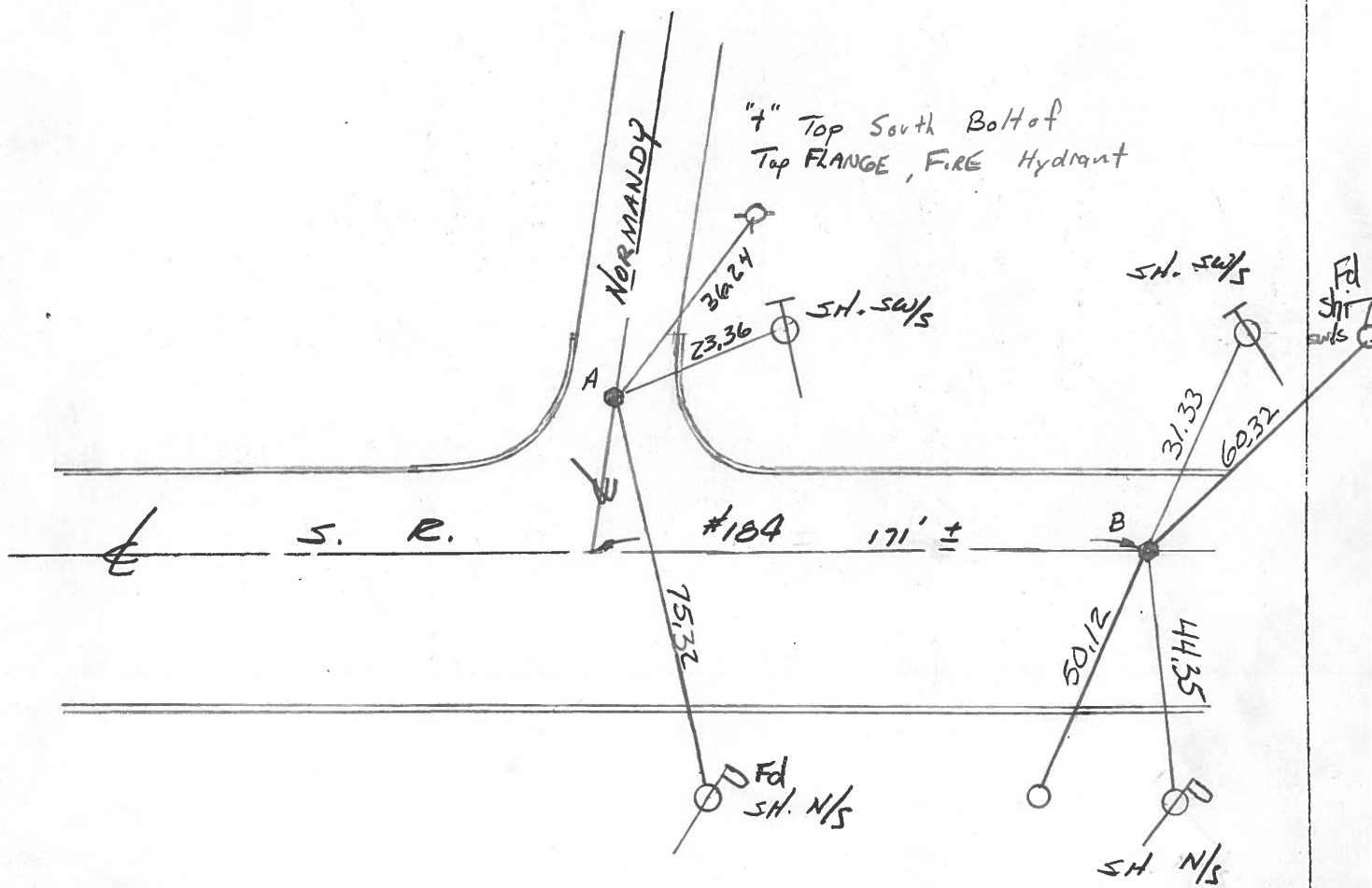
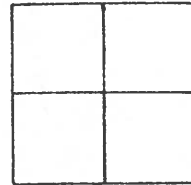
TYPE MONUMENT BRASS MAN LUCAS Co. Eng.

ON SURFACE - BELOW 2"

LEFT - & PAV'T. - RIGHT 40.2' Lt - 10.2' Lt

B ⇒ 1/40 TO Lt EDGE PAVEMENT

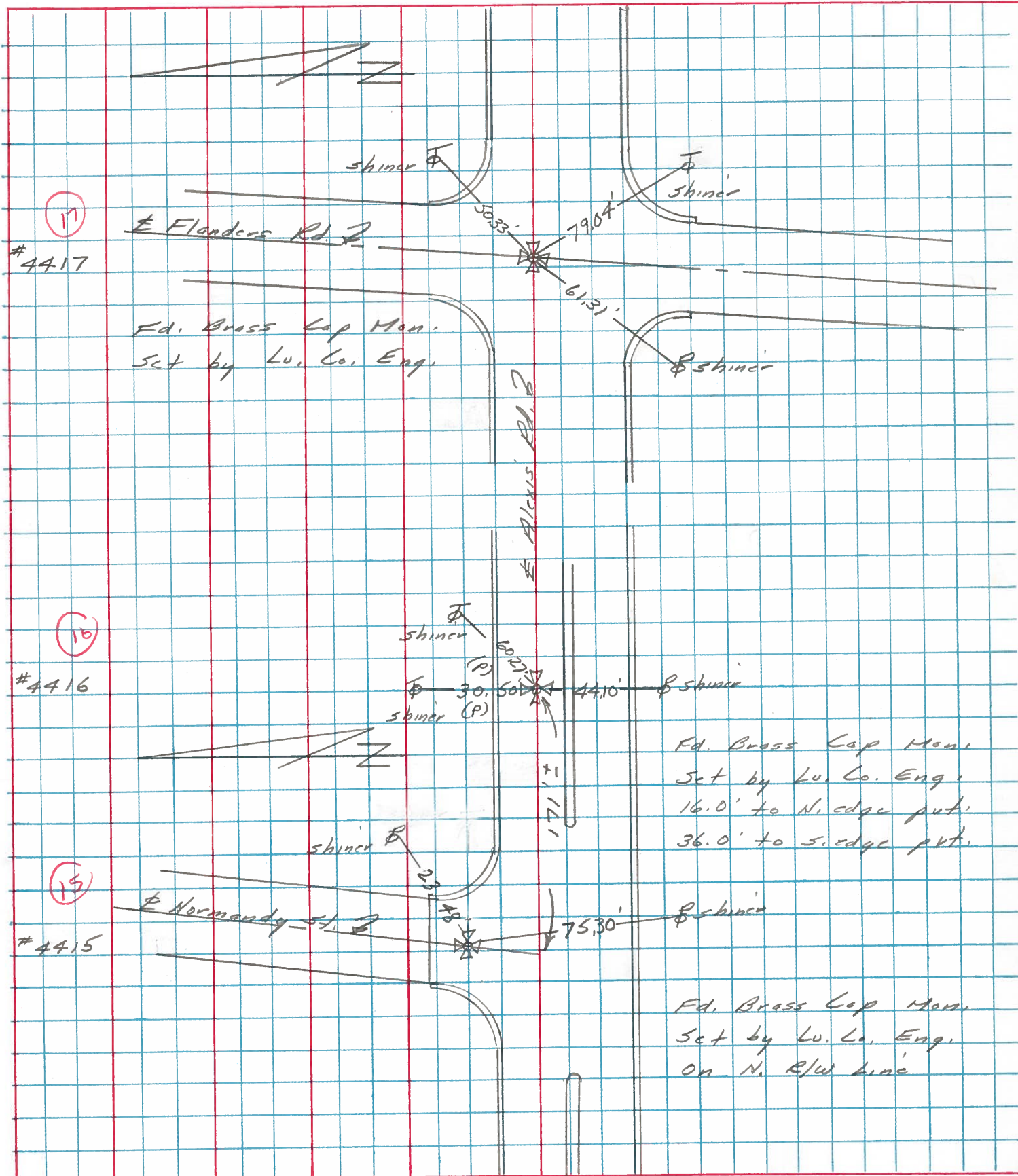
S.L.M. 82 + 78 , 84 + 46



| PERSONNEL | TITLE | PERSONNEL | TITLE | COUNTY | DATE | WEATHER | TEMP. |
|-----------|-------|-----------|-------|-----------|------------|---------|-------|
| Stone | | | | Lucas | 20 Feb. 76 | Clear | 37° |
| Curtis | | | | S. R. 184 | | | |
| Michalek | | | | SEC. 1.50 | | | |

DESCRIPTION References to Control Points JOB NO. _____

LEFT CENTER LINE RIGHT



| PERSONNEL | TITLE | PERSONNEL | TITLE | COUNTY | DATE |
|-----------|-------|-----------|-------|--------------------|--------------|
| Stone | Notes | | | Lucas | 28 June 68 |
| Beck | Flag | | | S. R. 24-25 Bypass | WEATHER Cool |
| Michalak | Tape | | | SEC. Alexis Rd. | TEMP. 63° |
| Schroder | Tape | | | | |

DESCRIPTION References to Control Points JOB NO. _____

