

O.D.O.T. DISTRICT 2 SURVEY OFFICE (USE ONLY)

PERSONNEL _____

REFERENCE NO. 56

SHEET 39 OF 58

NOTES STONE

DATE 9/2/76

ROUTE SR 184

H.C. MICHALAK

WEATHER FAIR

COUNTY LUCAS

R.C. NEUSER

TEMP. 65°

TOWNSHIP CITY OF TOLEDO

CURTIS/GRANATA

SECTION 11

DWG BY NIESE PID _____

T 9 S R 7 E

TYPE MONUMENT P.K. NAIL

ON SURFACE - ~~BELOW~~ ON

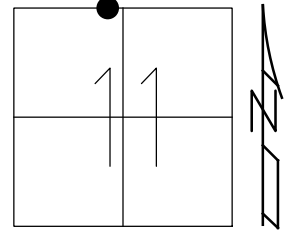
OFFSET Q PAVEMENT ON LT : RT

27.2' TO RT EDGE PAVEMENT

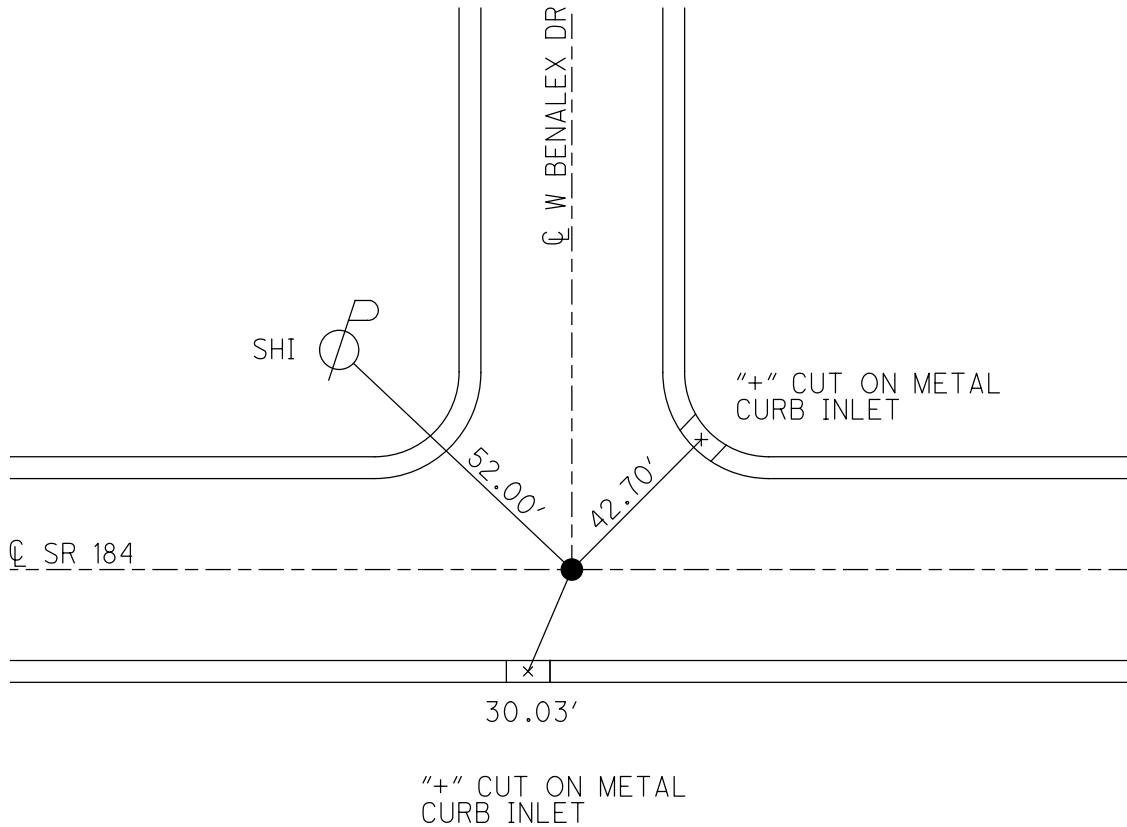
STATION: 363+79

HORIZ.DATUM: _____ GEOID: _____

GRID: NORTHING: _____ EASTING: _____

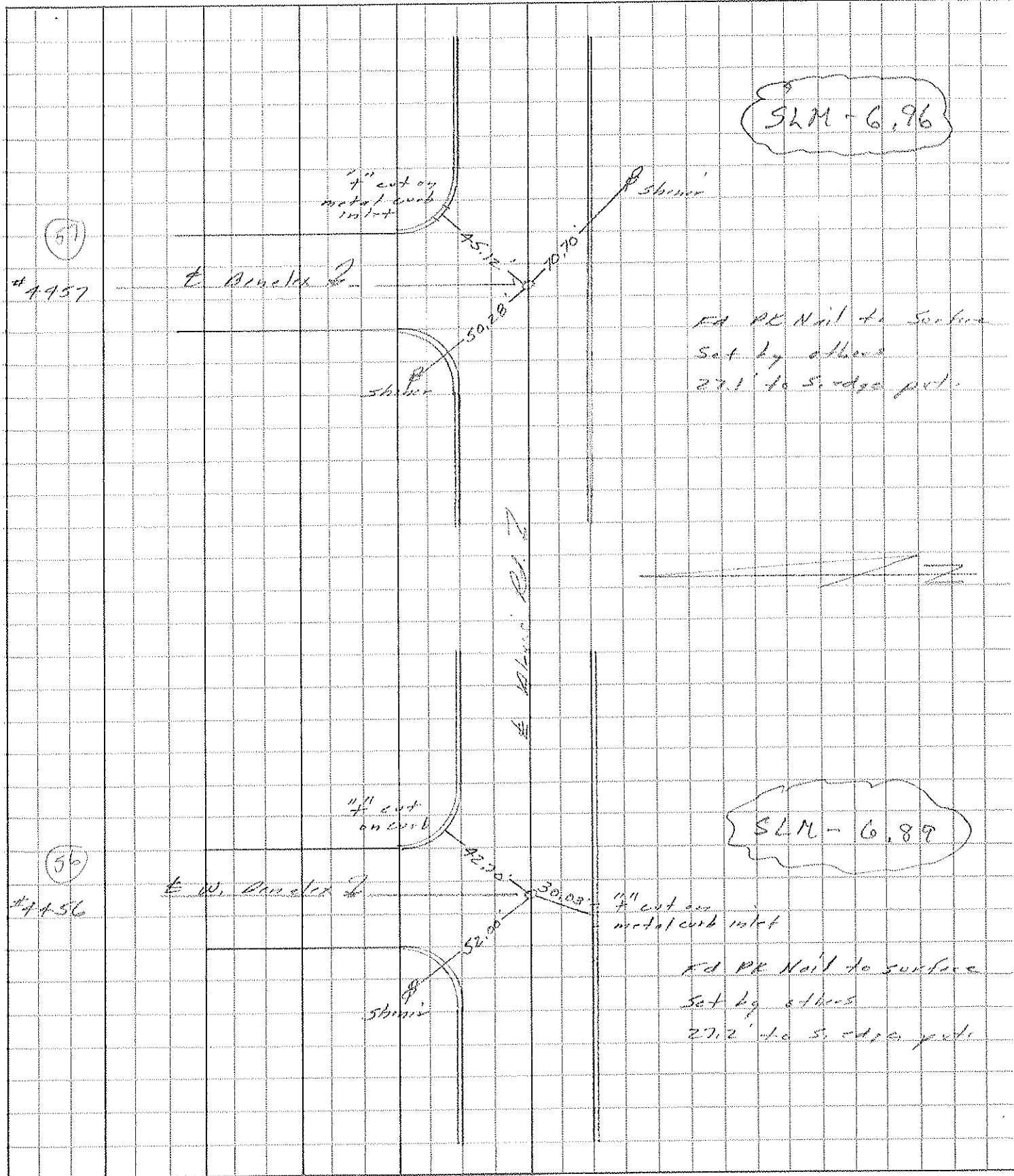


RECORD:
FD P.K. NAIL
SET BY OTHERS
9/2/76, STONE



PERSONNEL	TITLE	PERSONNEL	TITLE	COUNTY	DATE
Slone		Granata		Lucas	2 Sept. 76
Michael				S. R. 187	WEATHER Fair
Houser				SEC. Alexis Rd.	TEMP. 65°
Curtis					

DESCRIPTION: References to Central Points
 LEFT CENTER LINE RIGHT JOB NO.



SLM-6,96

Ed PE Nail to Surface
Set by others
27.1' to S. edge put.

SLM-6,89

Ed PE Nail to surface
Set by others
27.2' to S. edge put.

PERSONNEL	TITLE	PERSONNEL	TITLE	COUNTY	DATE
Stone	Notes			Lucas	5 July 68
Michalak	Tape			S. R. 24-25 By Pass	WEATHER Fair
Schroder	Tape			SEC. Alexis Rd.	TEMP. 66°

DESCRIPTION References to Control Points JOB NO. _____

