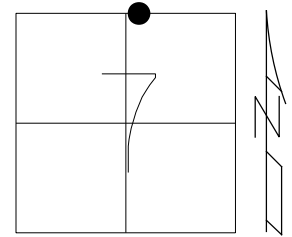


O.D.O.T. DISTRICT 2 SURVEY OFFICE (USE ONLY)

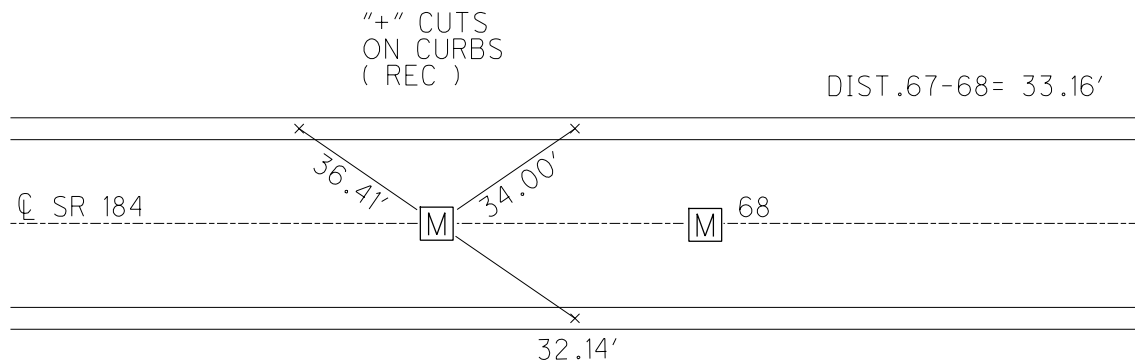
PERSONNEL _____ REFERENCE NO. 67 SHEET 50 OF 58
 NOTES NIESE DATE 9/3/76 ROUTE SR 184
 H.C. NIESE WEATHER FAIR COUNTY LUCAS
 R.C. AUBLE TEMP. 65° TOWNSHIP CITY OF TOLEDO
 SECTION 7
 DWG BY RHOADES PID 101327 T 9 S R 8 E

TYPE MONUMENT MONBOX W/1" IPIN
 ON SURFACE - ~~BELOW~~ ON
 OFFSET \varnothing PAVEMENT ON _____ LT : RT
 _____ TO _____ EDGE PAVEMENT
 STATION: 1090+16.92



HORIZ.DATUM: NAD83 2011 GEOID: NAVD88 2012A
 GRID: NORTHING: 750751.076 EASTING: 1690779.071

RECORD: P.O.T.
 9/3/76, STONE
 FD MONBOX W/1" IPIN
 REF67
 2/15/22,
 9/13/23, TDN



O.D.O.T. DISTRICT 2 SURVEY OFFICE (USE ONLY)

PERSONNEL

REFERENCE NO. 67

SHEET 50 OF 58

NOTES STONE DATE 9/3/76
 H.C. NEUSER WEATHER FAIR
 R.C. CURTIS TEMP. 65°

ROUTE SR 184
 COUNTY LUCAS
 TOWNSHIP CITY OF TOLEDO
 SECTION 7
 T 9 S R 8 E

DWG BY NIESE PID _____

TYPE MONUMENT UNKNOWN

ON SURFACE - ~~BELOW~~ ON

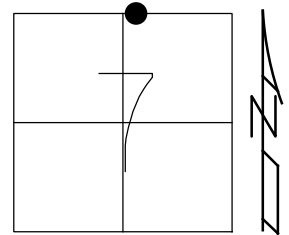
OFFSET ☉ PAVEMENT ON _____ LT : RT

- TO - EDGE PAVEMENT

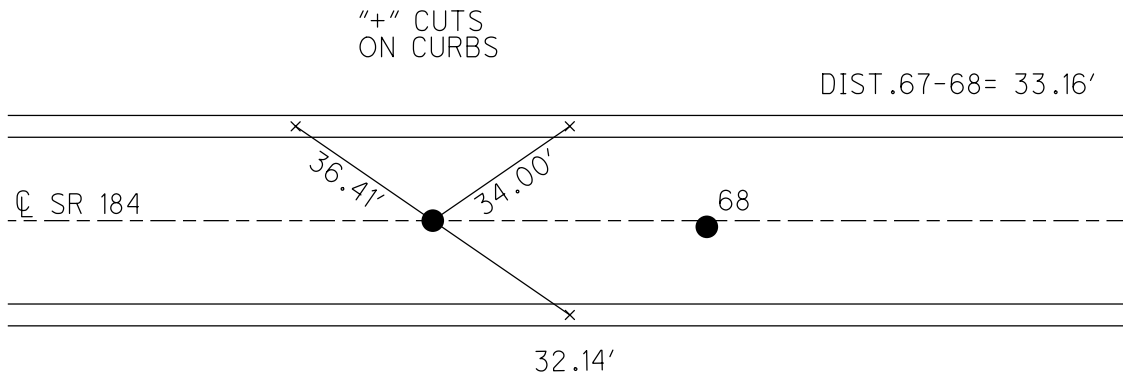
STATION: 1090+16.92

HORZ. DATUM: _____ GEOID: _____

GRID: NORTHING: _____ EASTING: _____

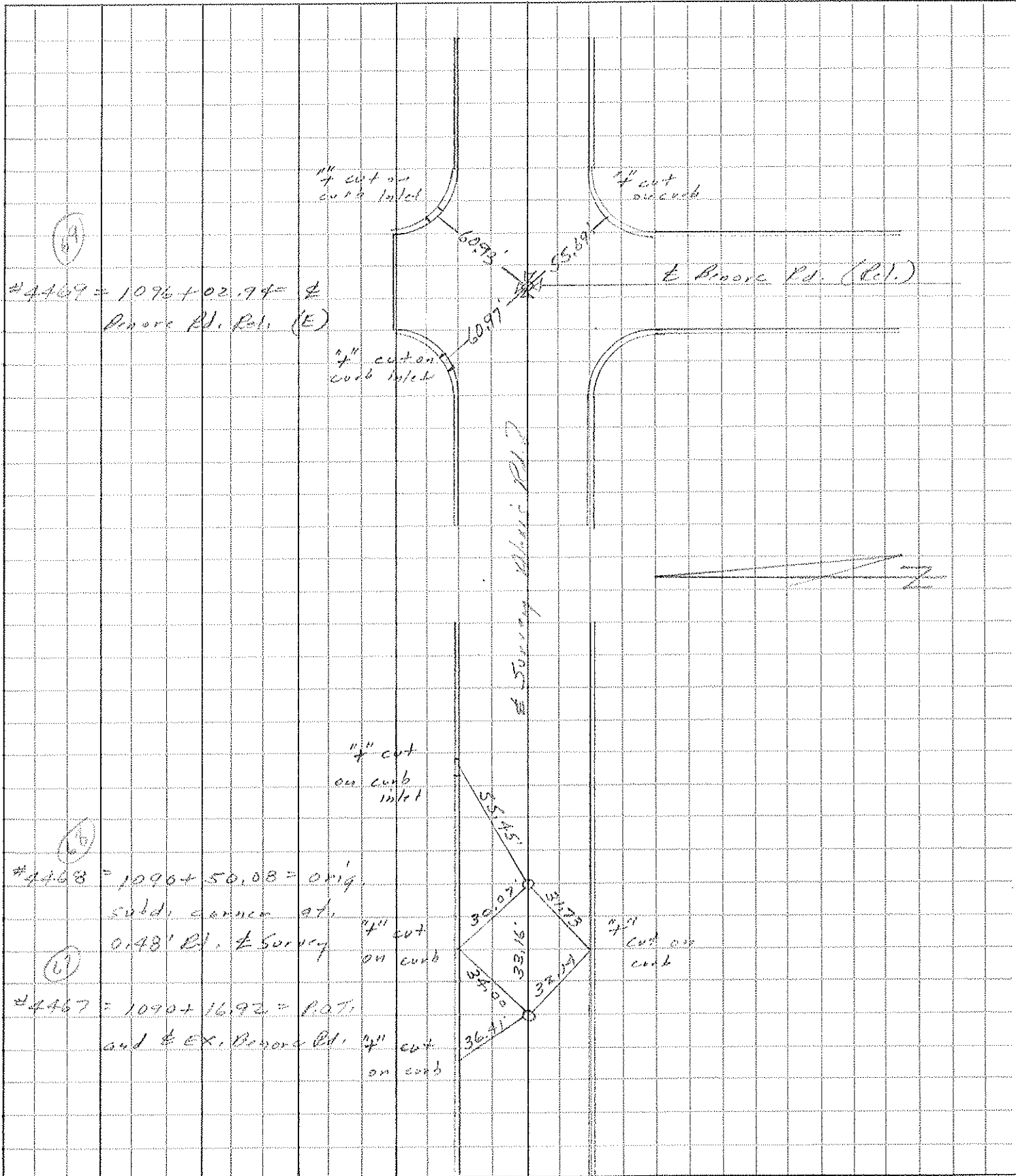


RECORD: P.O.T.
 9/3/76, STONE



PERSONNEL	TITLE	PERSONNEL	TITLE	COUNTY	Lucas	DATE	3 Sept. 76
Stanc				S. R.	187	WEATHER	Fair
Nease				SEC.	Alexis P.D. (New)	TEMP.	65°
Curtis							

DESCRIPTION References to Control Points JOB NO. _____



(A)
 #4469 = 1096 + 02.94 = P
 Pinore P.D. P.D. (E)

(B)
 #4468 = 1096 + 50.08 = orig
 subd. corner at
 0.48' Bl. E Survey

(C)
 #4467 = 1090 + 16.92 = P.O.T.
 and E EX. Pinore P.D. 4\"/>