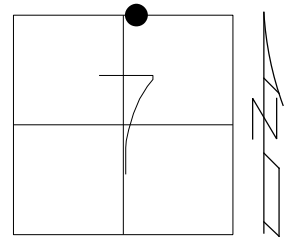


O.D.O.T. DISTRICT 2 SURVEY OFFICE (USE ONLY)

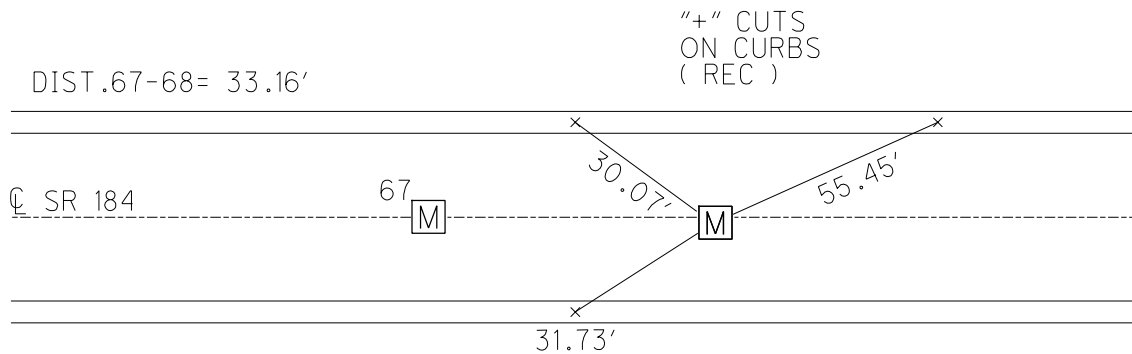
PERSONNEL \_\_\_\_\_ REFERENCE NO. 68 SHEET 51 OF 58  
 NOTES NIESE DATE 9/13/23 ROUTE SR 184  
 H.C. NIESE WEATHER FAIR COUNTY LUCAS  
 R.C. AUBLE TEMP. 51° TOWNSHIP CITY OF TOLEDO  
 DWG BY RHOADES PID 101327 SECTION 7  
 T 9 S R 8 E

TYPE MONUMENT MONBOX W/1" IPIN  
 ON SURFACE - ~~BELOW~~ ON  
 OFFSET  $\text{\textcircled{C}}$  PAVEMENT 0.48' ± : RT  
- TO - EDGE PAVEMENT  
 STATION: 1090+50.08



HORIZ.DATUM: NAD83 2011 GEOID: NAVD88 2012A  
 GRID: NORTHING: 750751.565 EASTING: 1690812.228

RECORD: P.O.T.  
 9/3/76, STONE  
 FD MONBOX W/1" IPIN  
 REF68  
 2/15/22,  
 9/13/23, TDN



O.D.O.T. DISTRICT 2 SURVEY OFFICE (USE ONLY)

PERSONNEL \_\_\_\_\_

REFERENCE NO. 68

SHEET 51 OF 58

NOTES STONE DATE 9/3/76  
 H.C. NEUSER WEATHER FAIR  
 R.C. CURTIS TEMP. 65°

ROUTE SR 184  
 COUNTY LUCAS  
 TOWNSHIP CITY OF TOLEDO  
 SECTION 7  
 T 9 S R 8 E

DWG BY NIESE PID \_\_\_\_\_

TYPE MONUMENT UNKNOWN

ON SURFACE - ~~BELOW~~ ON

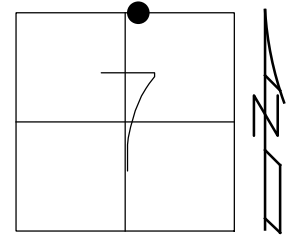
OFFSET  $\varnothing$  PAVEMENT 0.48' ~~LT~~ : RT

- TO - EDGE PAVEMENT

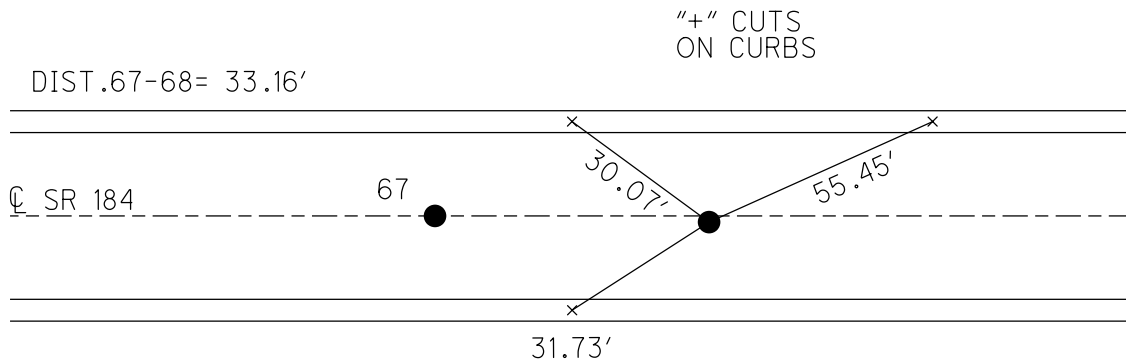
STATION: 1090+50.08

HORIZ.DATUM: \_\_\_\_\_ GEOID: \_\_\_\_\_

GRID: NORTHING: \_\_\_\_\_ EASTING: \_\_\_\_\_



RECORD: P.O.T.  
 9/3/76, STONE



PERSONNEL	TITLE	PERSONNEL	TITLE	COUNTY	Lucas	DATE	3 Sept. 76
Stanc				S. R.	187	WEATHER	Fair
Nease				SEC.	Alexis Rd. (New)	TEMP.	65°
Curtis							

DESCRIPTION References to Control Points JOB NO. \_\_\_\_\_

LEFT CENTER LINE RIGHT

