

O.D.O.T. DISTRICT 2 SURVEY OFFICE (USE ONLY)

PERSONNEL

REFERENCE NO. 71

SHEET 54 OF 8

NOTES STONE DATE 9/3/76

ROUTE SR 184

H.C. NEUSER WEATHER FAIR

COUNTY LUCAS

R.C. CURTIS TEMP. 65°

TOWNSHIP CITY OF TOLEDO

DWG BY NIESE PID \_\_\_\_\_

SECTION 8

T 9 S R 8 E

TYPE MONUMENT MONBOX

ON SURFACE - ~~BELOW~~ ON

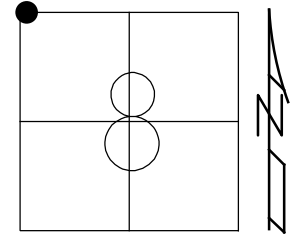
OFFSET Q PAVEMENT ON LT : RT

26.8' TO RT EDGE PAVEMENT

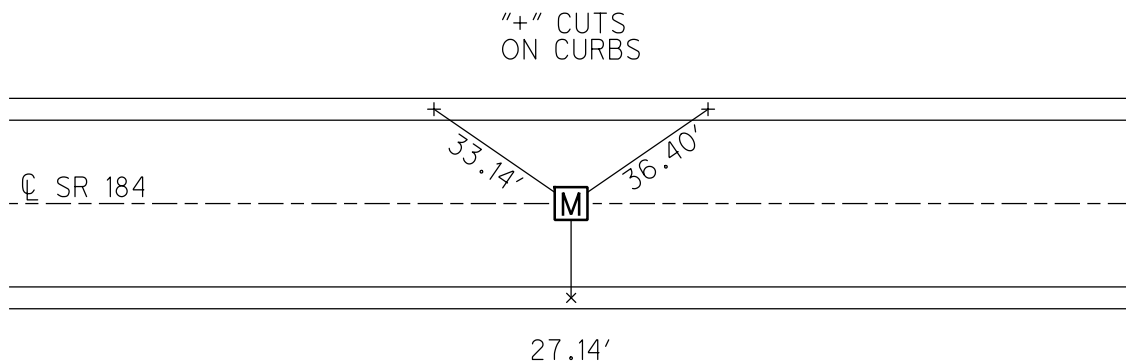
STATION: 1115+33.60

HORZ.DATUM: \_\_\_\_\_ GEOID: \_\_\_\_\_

GRID: NORTHING: \_\_\_\_\_ EASTING: \_\_\_\_\_



RECORD:  
FD MONBOX  
9/3/76, STONE



PERSONNEL TITLE PERSONNEL TITLE

COUNTY Lucas DATE 3 Sept. 76

Blanc  
Newson  
Curtis

S. R. 187 WEATHER Fair

SEC. Alexis Rd. (New) TEMP. 67°

DESCRIPTION

References to Central Points  
LEFT CENTER LINE RIGHT

JOB NO.

