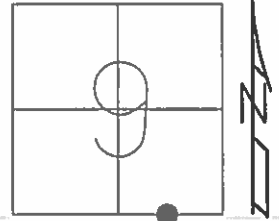


O.D.O.T. DISTRICT 2 SURVEY OFFICE (USE ONLY)

PERSONNEL _____ REFERENCE NO. 13 SHEET 13 OF 48

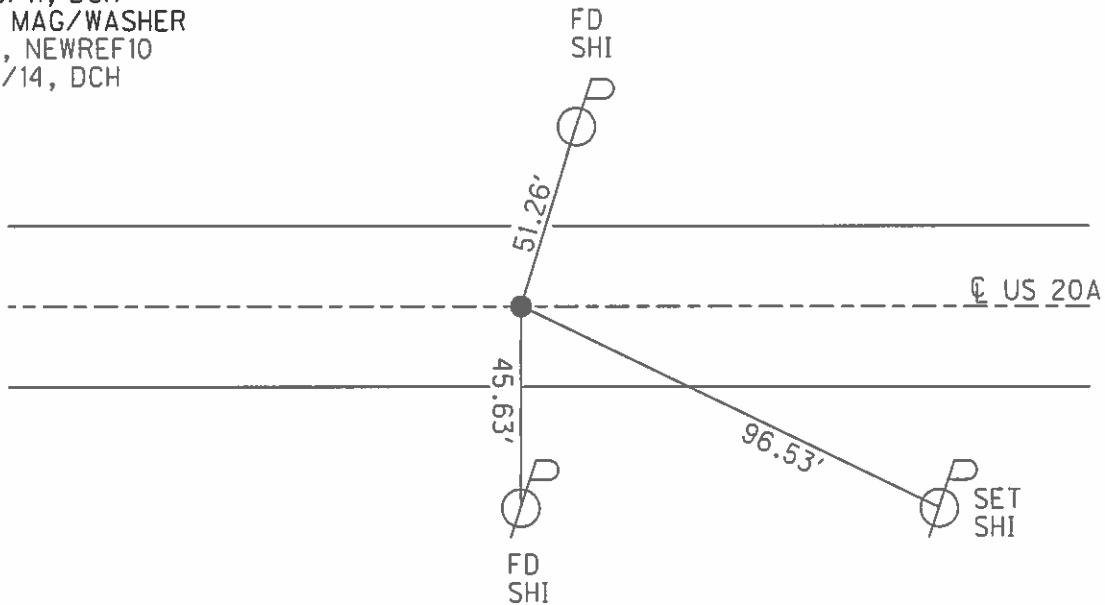
NOTES	<u>WESTFALL</u>	DATE	<u>8/2/13</u>	ROUTE	<u>US 20A</u>
H.C.	<u>ROUSOS</u>	WEATHER	<u>SUNNY</u>	COUNTY	<u>LUCAS</u>
R.C.	<u>WESTFALL</u>	TEMP.	<u>70°</u>	TOWNSHIP	<u>SWANTON</u>
	<u>KEFFER</u>			SECTION	<u>9</u>
				T	<u>7</u> R <u>9</u> E

TYPE MONUMENT SQ BOLT
~~ON SURFACE~~ - BELOW 1 1/2"
 LEFT - ☉ PAV'T - RIGHT -
- TO - EDGE PAVEMENT
 S.L.M. 173+92.66



GRID: NORTHING: 697948.754 EASTING: 1604650.413

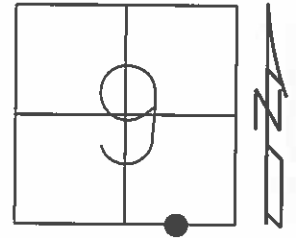
RECORD:
 FD 1 1/2" SQ BOLT
 IN MONBOX 3" BELOW
 6/28/85, IS
 FD BOLT
 1 1/2" DOWN
 GPS, REF10
 12/6/11, DCH
 SET MAG/WASHER
 GPS, NEWREF10
 4/11/14, DCH



O.D.O.T. DISTRICT 2 SURVEY OFFICE (USE ONLY)

PERSONNEL _____ REFERENCE NO. 13 SHEET 7 OF 42
 NOTES WESTFALL DATE 8/2/13 ROUTE US 20A
 H.C. ROUSOS WEATHER SUNNY COUNTY LUCAS
 R.C. WESTFALL TEMP. 70° TOWNSHIP SWANTON
 SECTION 9
 T 7 R 9 E

TYPE MONUMENT SQ. BOLT
~~ON SURFACE~~ - BELOW 1 1/2"
 LEFT - ☉ PAV'T - RIGHT - _____
 - TO - EDGE PAVEMENT
 S.L.M. 173+92.66



Grid: Northing: 697948.754 Easting: 1604650.413

FD 1 1/2" SQ. BOLT
 IN MONBOX. 3" BELOW
 6/28/85, I.S.

FD BOLT
 1 1/2" DOWN
 GPS, REF10
 12/6/11, DCH

SET MAG/WASHER
 GPS, NEWREF10
 4/11/14, DCH

