

O.D.O.T. DISTRICT 2 SURVEY OFFICE (USE ONLY)

PERSONNEL _____ REFERENCE NO. 14 SHEET 14 OF 48

NOTES STONE DATE 7/15/71 ROUTE US 20A

H.C. MICHALAK WEATHER FAIR COUNTY LUCAS

R.C. SCHRODER TEMP. 70° TOWNSHIP SWANTON

KEFFER SECTION 9

T 7 N R 9 E

TYPE MONUMENT MONBOX, 1" IPIN

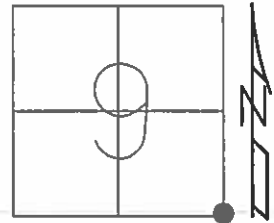
ON SURFACE - ~~BELOW~~ ON

LEFT - ☉ PAV'T - RIGHT - _____

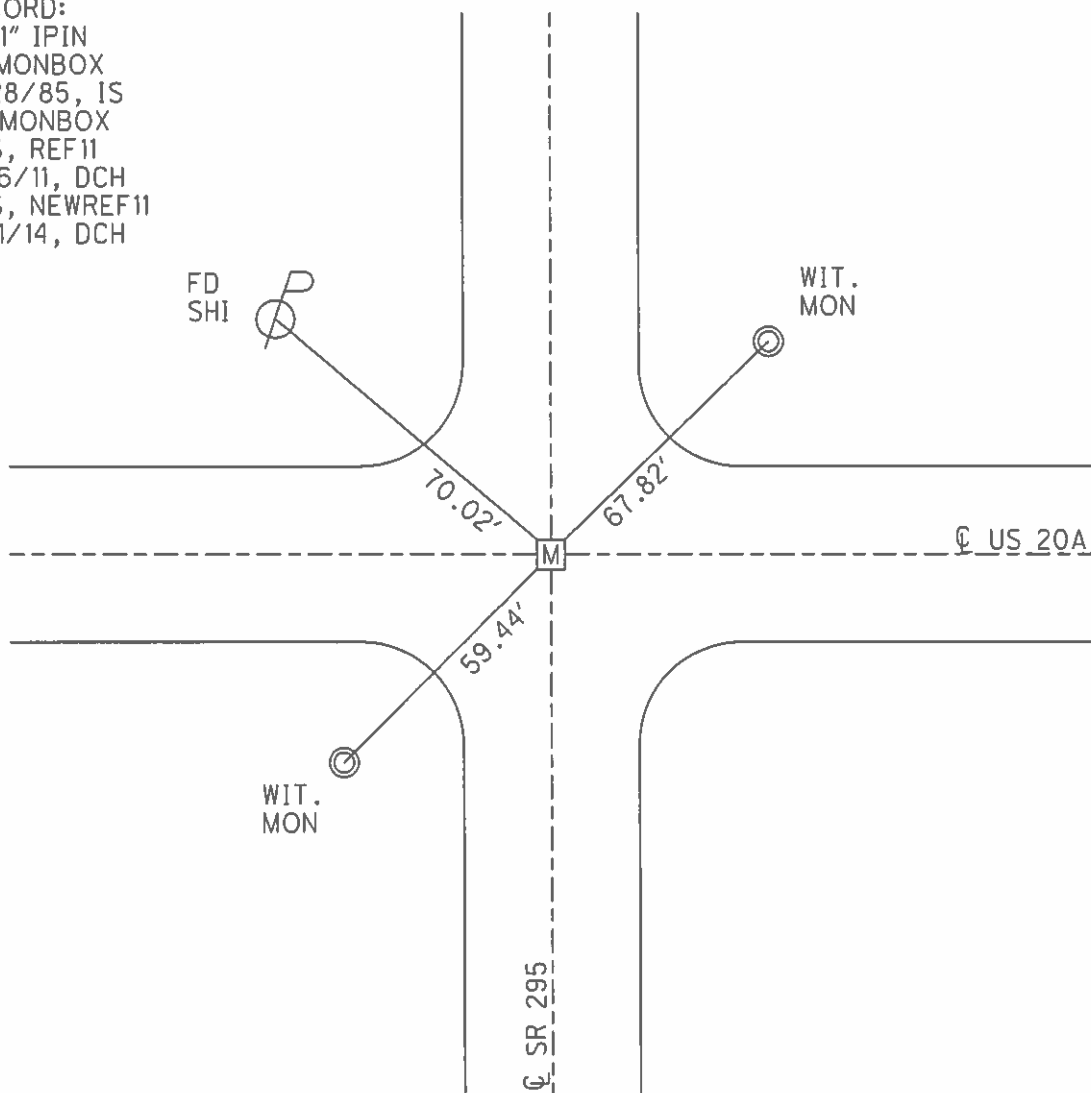
- TO - EDGE PAVEMENT

S.L.M. 187+10.57

GRID: NORTHING: 697932.782 EASTING: 1605968.351



RECORD:
FD 1" IPIN
IN MONBOX
6/28/85, IS
FD MONBOX
GPS, REF11
12/6/11, DCH
GPS, NEWREF11
4/11/14, DCH



O.D.O.T. DISTRICT 2 SURVEY OFFICE (USE ONLY)

PERSONNEL _____ REFERENCE NO. 14 SHEET 8 OF 42

NOTES STONE DATE 7/15/71 ROUTE US 20A
 H.C. MICHALAK WEATHER FAIR COUNTY LUCAS
 R.C. SCHRODER TEMP. 70° TOWNSHIP SWANTON
 _____ SECTION 9
 _____ T 7 N R 9 E

TYPE MONUMENT MONBOX, 1" IPIN
 ON SURFACE - ~~BELOW~~ ON
 LEFT - ☉ PAV'T - RIGHT - _____
 - TO - EDGE PAVEMENT
 S.L.M. 187+10.57

Grid: Northing: 697932.782 Easting: 1605968.351

