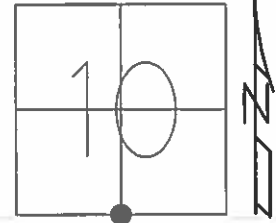


O.D.O.T. DISTRICT 2 SURVEY OFFICE (USE ONLY)

PERSONNEL _____ REFERENCE NO. 15 SHEET 15 OF 48

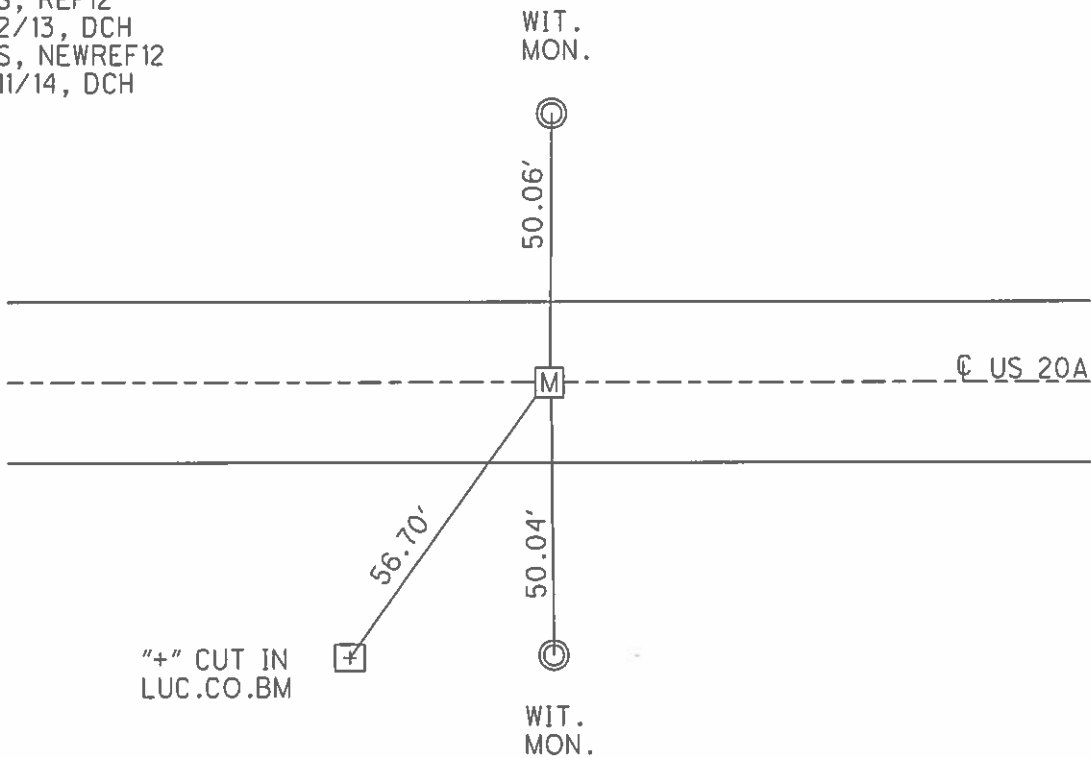
NOTES STONE DATE 7/16/71 ROUTE US 20A
 H.C. MICHALAK WEATHER WARM COUNTY LUCAS
 R.C. SCHRODER TEMP. 74° TOWNSHIP SWANTON
 _____ SECTION 10
 _____ T 7 N R 9 E

TYPE MONUMENT MONBOX, 1" IPIN
 ON SURFACE - ~~BELOW~~ ON _____
 LEFT - ☉ PAV'T - RIGHT - _____
12' TO RT EDGE PAVEMENT
 S.L.M. 213+54.02



GRID: NORTHING: 697917.921 EASTING: 1608611.668

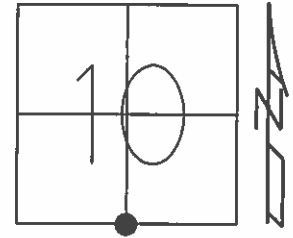
RECORD:
 FD 1" IPIN
 IN MONBOX
 6/28/85, IS
 FD MONBOX
 GPS, REF12
 8/2/13, DCH
 GPS, NEWREF12
 4/11/14, DCH



O.D.O.T. DISTRICT 2 SURVEY OFFICE (USE ONLY)

PERSONNEL _____ REFERENCE NO. 15 SHEET 9 OF 42
 NOTES STONE DATE 7/16/71 ROUTE US 20A
 H.C. MICHALAK WEATHER WARM COUNTY LUCAS
 R.C. SCHRODER TEMP. 74° TOWNSHIP SWANTON
 _____ SECTION 10
 _____ T 7 N R 9 E

TYPE MONUMENT MONBOX, 1" IPIN
 ON SURFACE - ~~BELOW~~ ON _____
 LEFT - ☉ PAV'T - RIGHT - _____
12' TO S EDGE PAVEMENT
 S.L.M. 213+54.02



Grid: Northing: 697917.921 Easting: 1608611.668

FD 1" IPIN
 IN MONBOX
 6/28/85, I.S.

FD MONBOX
 GPS, REF12
 8/2/13, DCH

GPS, NEWREF12
 4/11/14, DCH

