

O.D.O.T. DISTRICT 2 SURVEY OFFICE (USE ONLY)

PERSONNEL

REFERENCE NO. 18

SHEET 19 OF 52

NOTES RHOADES
 H.C. AUBLE
 R.C. NIESE
WHITAKER

DATE 8/10/22
 WEATHER WARM
 TEMP. 70°

ROUTE US 20A
 COUNTY LUCAS
 TOWNSHIP SWANTON
 SECTION 11
 T 7 N R 9 E

DWG BY RHOADES PID PAVETRAIN

TYPE MONUMENT 1/2" IPIN

~~ON SURFACE~~ - BELOW 2"

OFFSET \odot PAVEMENT - LT : RT

12.4' N. TO LT EDGE PAVEMENT

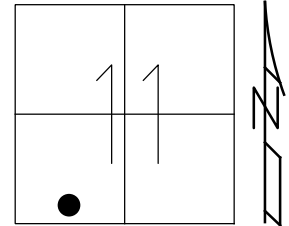
STATION: 254+76.8

HORIZ.DATUM: NAD83 2011

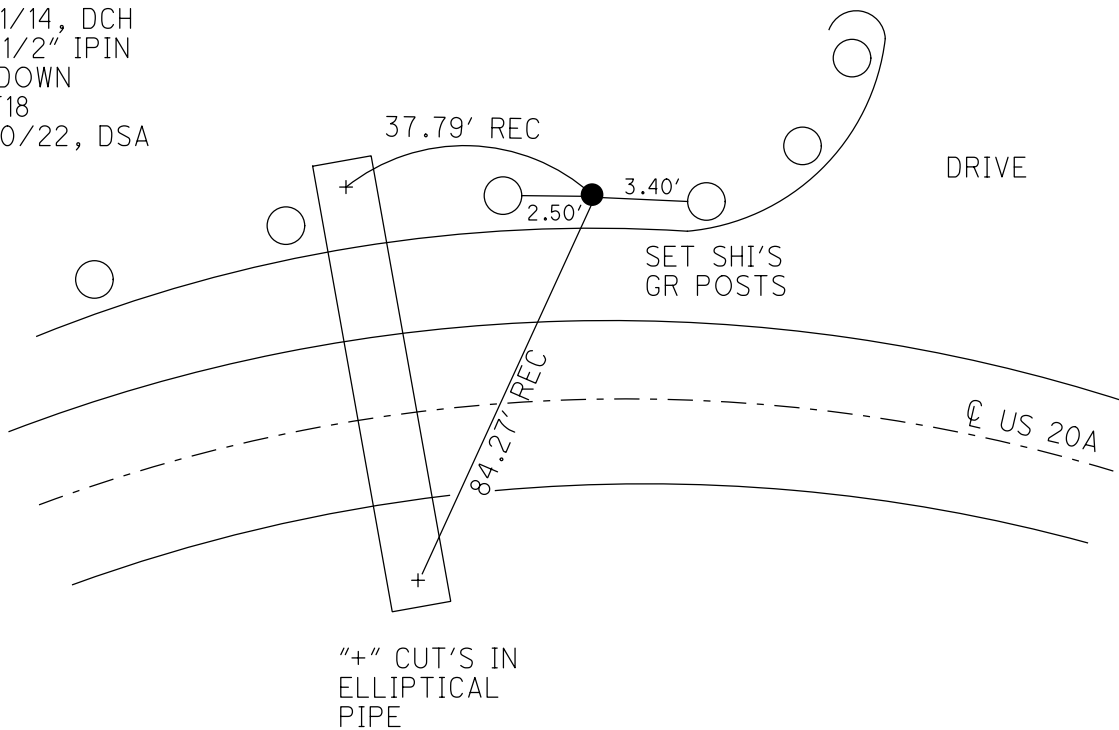
GEOID: NAVD88 2018

GRID: NORTHING: 698130.442

EASTING: 1612713.809



RECORD: P.I.
 FD MONBOX
 W/5/8" IPIN
 7/16/71, IRS
 FD IPIN IN CMON
 6/28/85, IS
 FD 5/8" IPIN
 REF16
 8/2/13, DCH
 NEWREF16
 4/11/14, DCH
 FD 1/2" IPIN
 2" DOWN
 REF18
 8/10/22, DSA

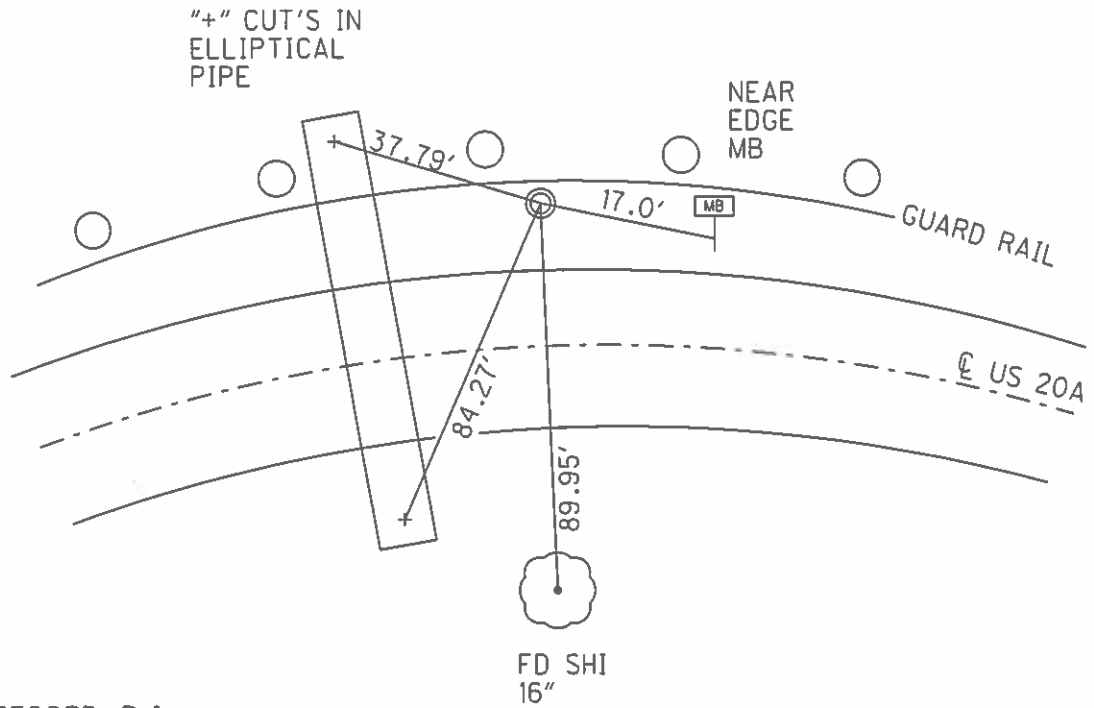
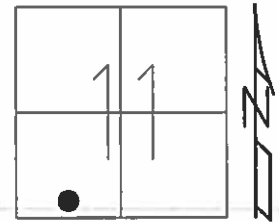


O.D.O.T. DISTRICT 2 SURVEY OFFICE (USE ONLY)

PERSONNEL _____ REFERENCE NO. 18 SHEET 19 OF 48
NOTES STONE DATE 7/16/71 ROUTE US 20A
H.C. MICHALAK WEATHER WARM COUNTY LUCAS
R.C. SCHRODER TEMP. 80° TOWNSHIP SWANTON
KEFFER SECTION 11
T 7 N R 9 E

TYPE MONUMENT MONBOX, 5/8" IPIN
ON SURFACE - ~~BELOW~~ ON _____
LEFT - ☉ PAV'T - RIGHT - _____
12.4' N. TO LT EDGE PAVEMENT
S.L.M. 254+76.8

GRID: NORTHING: 698130.545 EASTING: 1612713.738



RECORD: P.I.
FD IPIN IN CMON
6/28/85, IS
FD 5/8" IPIN
GPS, REF16
8/2/13, DCH
GPS, NEWREF16
4/11/14, DCH

O.D.O.T. DISTRICT 2 SURVEY OFFICE (USE ONLY)

PERSONNEL _____ REFERENCE NO. 18 SHEET 13 OF 42

NOTES STONE DATE 7/16/71 ROUTE US 20A
H.C. MICHALAK WEATHER WARM COUNTY LUCAS
R.C. SCHRODER TEMP. 80° TOWNSHIP SWANTON
SECTION 11
T 7 N R 9 E

TYPE MONUMENT MONBOX, 5/8" IPIN

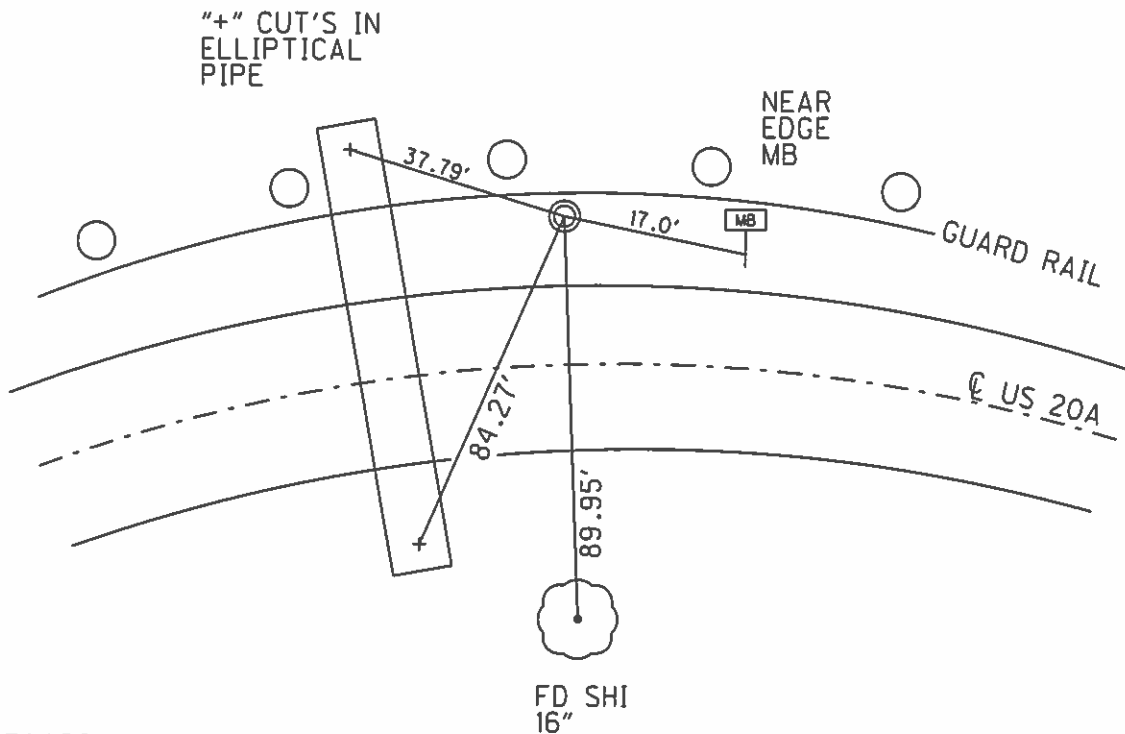
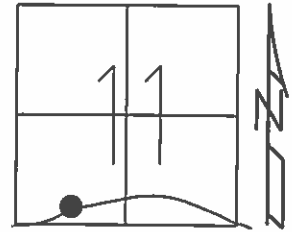
ON SURFACE - ~~BELOW~~ ON _____

LEFT - ☉ PAV'T - RIGHT - _____

12.4' N. TO N EDGE PAVEMENT

S.L.M. 254+76.8

Grid: Northing: 698130.545 Easting: 1612713.738



RECORD: P.I.
FD IPIN IN CMON
6/28/85, I.S.

FD 5/8" IPIN
GPS, REF16
8/2/13, DCH

GPS, NEWREF16
4/11/14, DCH