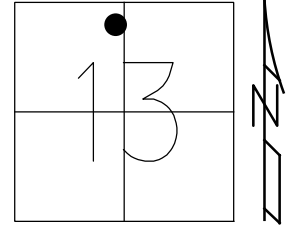


O.D.O.T. DISTRICT 2 SURVEY OFFICE (USE ONLY)

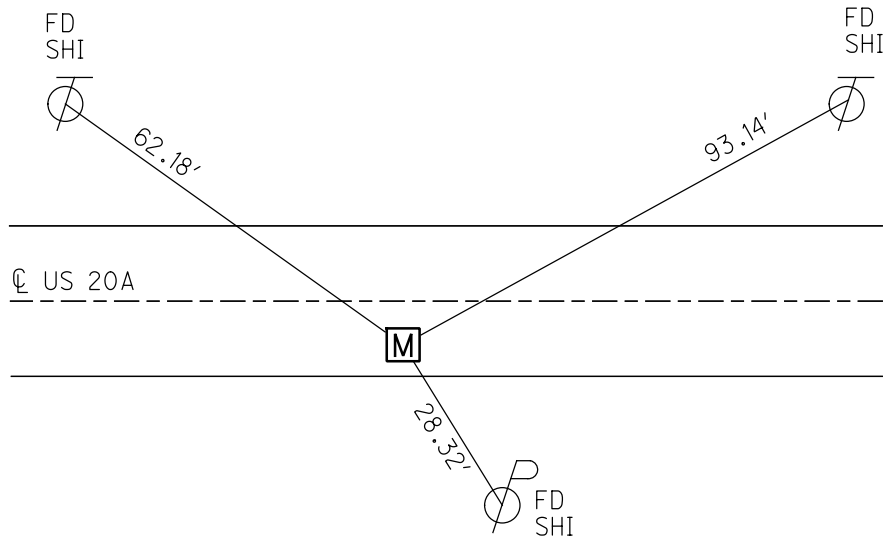
PERSONNEL \_\_\_\_\_ REFERENCE NO. 21 B SHEET 27 OF 52  
 NOTES RHOADES DATE 8/10/22 ROUTE US 20A  
 H.C. AUBLE WEATHER SUNNY COUNTY LUCAS  
 R.C. NIESE TEMP. 72° TOWNSHIP MONCLOVA  
           WHITAKER SECTION 13  
 DWG BY RHOADES PID PAVETRAIN T 7 N R 9 E

TYPE MONUMENT MONBOX W/1" IPIN  
 ON SURFACE - ~~BELOW~~ ON  
 OFFSET ☐ PAVEMENT \_\_\_\_\_ - \_\_\_\_\_ LT : RT  
1.3' TO RT EDGE PAVEMENT  
 STATION: 314+25.37



HORZ.DATUM: NAD83 2011 GEOID: NAVD88 2012A  
 GRID: NORTHING: 697448.911 EASTING: 1618623.781

RECORD: P.I.  
 7-20-71  
 FD R.R.SPIKE  
 4-30-85, IRS  
 3" DOWN  
 6-28-85, IRS  
 FD R.R.SPIKE BENT  
 3" DOWN  
 REF23  
 8-5-13, EBW  
 SET MAG/WASHER  
 NEWREF23  
 4-11-14, DCH  
 FD R.R.SPIKE  
 REFB21  
 7/27/15, JFO  
 FD MAG/WASHER  
 REFB21  
 6/22/16, JFO  
 FD MAG/WASHER  
 N: 697448.945  
 E: 1618623.704  
 2/26/19  
 DENNIS PRITSCHER  
 COUNTY SURVEYOR  
 FD MONBOX  
 W/ 1" IPIN  
 NEWSTA31425  
 4/13/21, JFO  
 REFB21  
 8/10/22, DSA  
 11/21/22, TDN



O.D.O.T. DISTRICT 2 SURVEY OFFICE (USE ONLY)

PERSONNEL

REFERENCE NO. 21 B

SHEET 27 OF 52

NOTES O'DONNELL

DATE 4/13/21

ROUTE US 20A

H.C. O'DONNELL

WEATHER FAIR

COUNTY LUCAS

R.C. RHOADES

TEMP. 52°

TOWNSHIP MONCLOVA

SECTION 13

DWG BY RHOADES PID 106393

T 7 N R 9 E

TYPE MONUMENT MONBOX W/1" IPIN

~~ON SURFACE~~ - BELOW ON

OFFSET 0 PAVEMENT - LT : RT

1.5' TO RT EDGE PAVEMENT

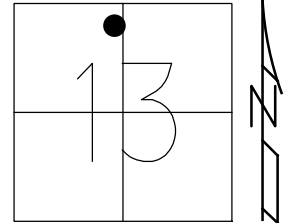
STATION: 314+25.37

HORIZ.DATUM: NAD83 2011

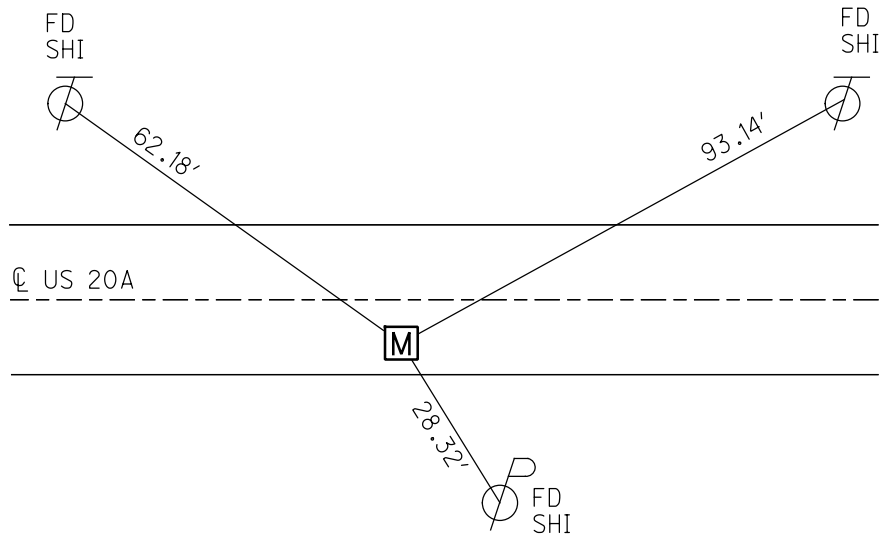
GEOID: NAVD88 2012A

GRID: NORTHING: 697448.895

EASTING: 1618623.730



RECORD: P.I.  
 7-20-71  
 FD R.R.SPIKE  
 4-30-85, IRS  
 3" DOWN  
 6-28-85, IRS  
 FD R.R.SPIKE  
 BENT  
 3" DOWN  
 REF23  
 8-5-13, EBW  
 SET MAG/WASHER  
 NEWREF23  
 4-11-14, DCH  
 FD R.R.SPIKE  
 REFB21  
 7/27/15, JFO  
 FD MAG/WASHER  
 REFB21  
 6/22/16, JFO  
 FD MAG/WASHER  
 N: 697448.945  
 E: 1618623.704  
 2/26/19  
 DENNIS PRITSCHER  
 COUNTY SURVEYOR  
 FD MONBOX  
 W/ 1" IPIN  
 NEWSTA31425  
 4/13/21, JFO



O.D.O.T. DISTRICT 2 SURVEY OFFICE (USE ONLY)

PERSONNEL \_\_\_\_\_ REFERENCE NO. 21 B SHEET 27 OF 48

NOTES WESTFALL DATE 8/5/13 ROUTE US 20A  
 H.C. ROUSOS WEATHER SUNNY COUNTY LUCAS  
 R.C. WESTFALL TEMP. 67° TOWNSHIP MONCLOVA  
 \_\_\_\_\_ KEFFER \_\_\_\_\_ SECTION 13  
 \_\_\_\_\_ T 7 N R 9 E

TYPE MONUMENT RR SPIKE

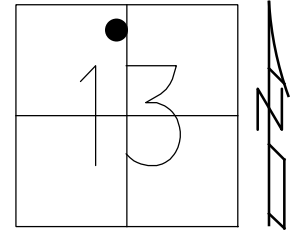
~~ON SURFACE~~ - BELOW 3"

LEFT - ☉ PAV'T - RIGHT -

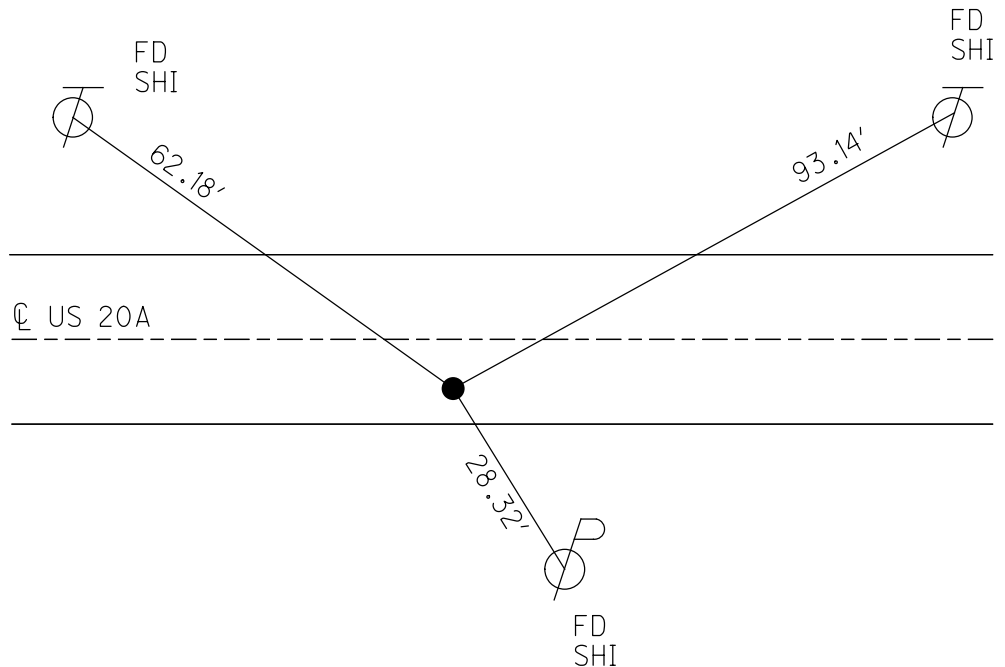
1.5 TO RT EDGE PAVEMENT

S.L.M. 314+25.53

GRID: NORTHING: 697448.912 EASTING: 1618623.700



RECORD: P.I.  
 7-20-71  
 FD RR SPIKE  
 4-30-85, IRS  
 3" DOWN  
 6-28-85, IRS  
 FD SPIKE  
 BENT  
 3" DOWN  
 REF23  
 8-5-13, EBW  
 SET MAG/WASHER  
 NEWREF23  
 4-11-14, DCH  
 FD RR SPIKE  
 REFB21  
 7/27/15, JFO  
 FD MAG/WASHER  
 REFB21  
 6/22/16, JFO



NOTE:  
 FD MAG/WASHER  
 N: 697448.945  
 E: 1618623.704  
 2-26-19  
 DENNIS PRITSCHER  
 COUNTY SURVEYOR