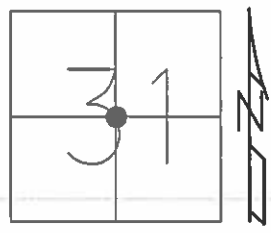


O.D.O.T. DISTRICT 2 SURVEY OFFICE (USE ONLY)

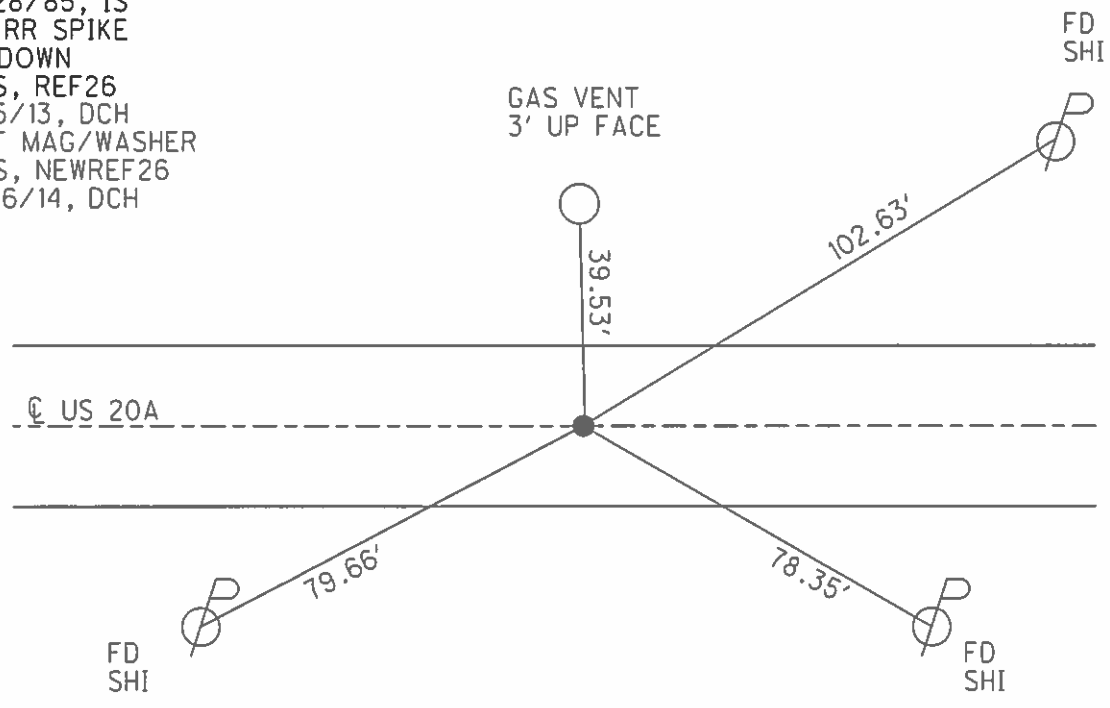
PERSONNEL _____ REFERENCE NO. 25 SHEET 30 OF 48
 NOTES WESTFALL DATE 8/5/13 ROUTE US 20A
 H.C. ROUSOS WEATHER SUNNY COUNTY LUCAS
 R.C. WESTFALL TEMP. 67° TOWNSHIP MONCLOVA
 _____ KEFFER _____ SECTION 31
 _____ T 2

TYPE MONUMENT RR SPIKE
~~ON SURFACE~~ - BELOW 2"
 LEFT - ☉ PAV'T - RIGHT - _____
 - TO - EDGE PAVEMENT
 S.L.M. 388+13.86



GRID: NORTHING: 697224.711 EASTING: 1626008.459

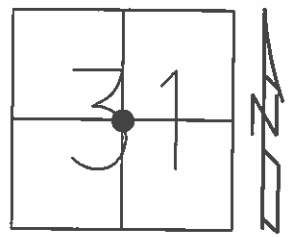
RECORD:
 FD RR SPIKE
 3" DEEP
 6/28/85, IS
 FD RR SPIKE
 2" DOWN
 GPS, REF26
 8/5/13, DCH
 SET MAG/WASHER
 GPS, NEWREF26
 4/16/14, DCH



O.D.O.T. DISTRICT 2 SURVEY OFFICE (USE ONLY)

PERSONNEL _____ REFERENCE NO. 25 SHEET 24 OF 42
 NOTES WESTFALL DATE 8/5/13 ROUTE US 20A
 H.C. ROUSOS WEATHER SUNNY COUNTY LUCAS
 R.C. WESTFALL TEMP. 67° TOWNSHIP MONCLOVA
 _____ SECTION 31
 _____ T 2

TYPE MONUMENT R.R.SPIKE
~~ON SURFACE~~ - BELOW 2"
 LEFT - ☉ PAV'T - RIGHT - _____
 _____ TO _____ EDGE PAVEMENT
 S.L.M. 388+13.86
 Grid: Northing: 697224.711 Easting: 1626008.459



RECORD:
 FD R.R.SPIKE
 3" DEEP
 6/28/85, I.S.

FD R.R.SPIKE
 2" DOWN
 GPS, REF26
 8/5/13, DCH

SET MAG/WASHER
 GPS, NEWREF26
 4/16/14, DCH

