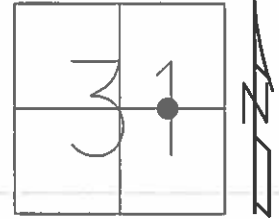


O.D.O.T. DISTRICT 2 SURVEY OFFICE (USE ONLY)

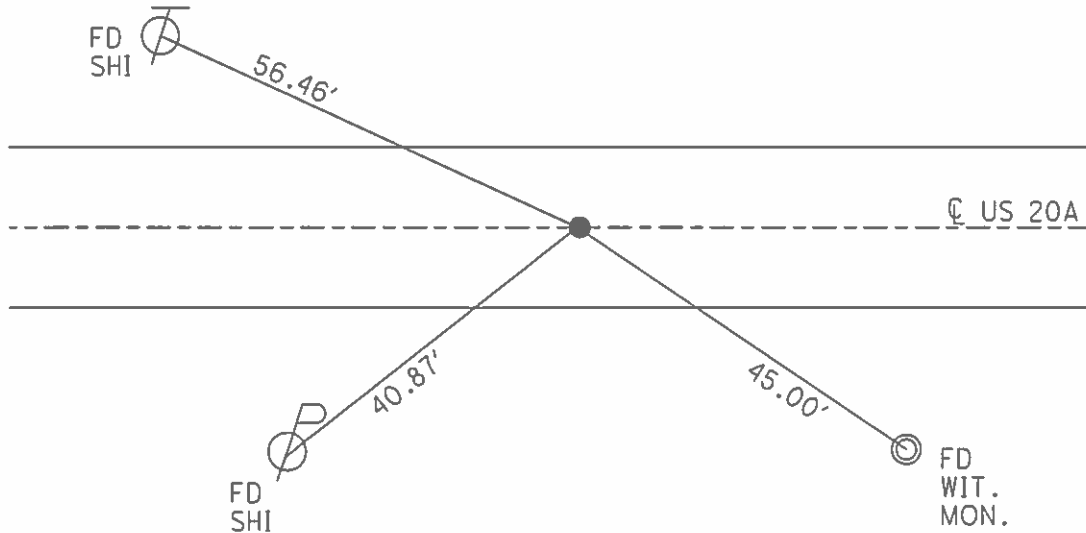
PERSONNEL \_\_\_\_\_ REFERENCE NO. 26 SHEET 31 OF 48  
 NOTES WESTFALL DATE 8/5/13 ROUTE US 20A  
 H.C. ROUSOS WEATHER SUNNY COUNTY LUCAS  
 R.C. WESTFALL TEMP. 67° TOWNSHIP MONCLOVA  
 \_\_\_\_\_ KEFFER \_\_\_\_\_ SECTION 31  
 \_\_\_\_\_ T 2

TYPE MONUMENT RR SPIKE  
~~ON SURFACE~~ - BELOW 2"  
 LEFT - ☉ PAV'T - RIGHT - \_\_\_\_\_  
 \_\_\_\_\_ TO \_\_\_\_\_ EDGE PAVEMENT  
 S.L.M. 400+98.10



GRID: NORTHING: 697204.415 EASTING: 1627292.456

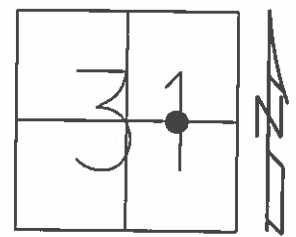
RECORD:  
 FD RR SPIKE  
 3" DEEP  
 7/1/85, IS  
 FD RR SPIKE  
 2" DOWN  
 GPS, REF27  
 8/5/13, DCH  
 SET MAG/WASHER  
 GPS, NEWREF27  
 4/16/14, DCH



O.D.O.T. DISTRICT 2 SURVEY OFFICE (USE ONLY)

PERSONNEL \_\_\_\_\_ REFERENCE NO. 26 SHEET 25 OF 42  
 NOTES WESTFALL DATE 8/5/13 ROUTE US 20A  
 H.C. ROUSOS WEATHER SUNNY COUNTY LUCAS  
 R.C. WESTFALL TEMP. 67° TOWNSHIP MONCLOVA  
 \_\_\_\_\_ SECTION 31  
 \_\_\_\_\_ T 2

TYPE MONUMENT R.R.SPIKE  
~~ON SURFACE~~ - BELOW 2"  
 LEFT - ☉ PAV'T - RIGHT - \_\_\_\_\_  
 - \_\_\_\_\_ TO - \_\_\_\_\_ EDGE PAVEMENT  
 S.L.M. 400+98.10  
 Grid: Northing: 697204.415 Easting: 1627292.456



RECORD:  
 FD R.R.SPIKE  
 3" DEEP  
 7/1/85, I.S.  
  
 FD R.R.SPIKE  
 2" DOWN  
 GPS, REF27  
 8/5/13, DCH  
  
 SET MAG/WASHER  
 GPS, NEWREF27  
 4/16/14, DCH

