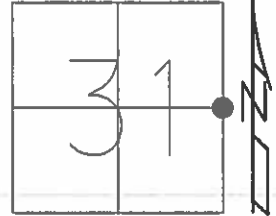


O.D.O.T. DISTRICT 2 SURVEY OFFICE (USE ONLY)

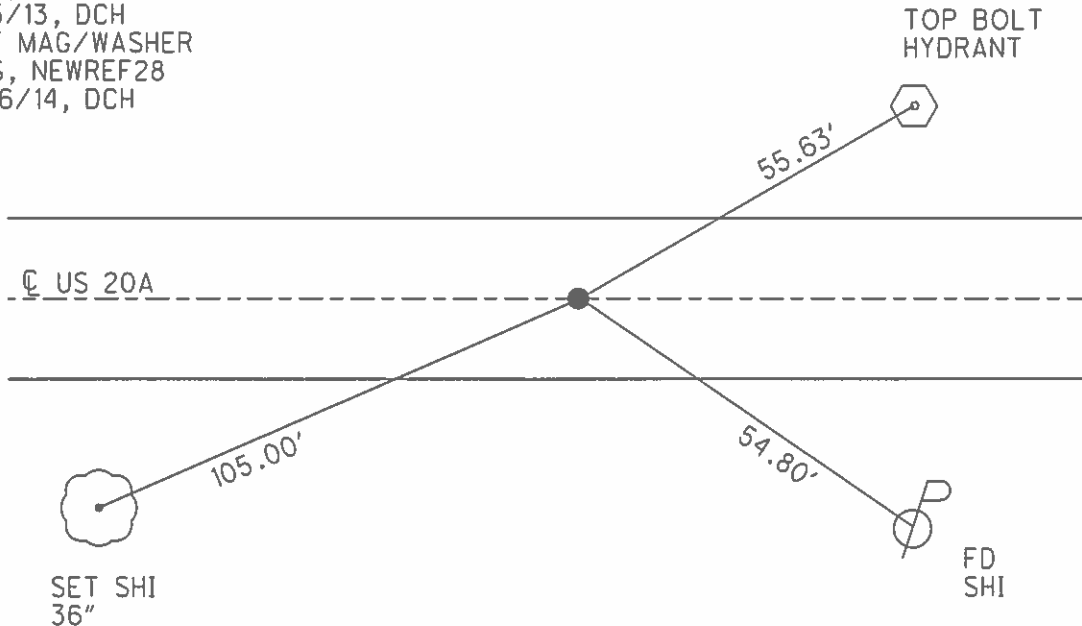
PERSONNEL \_\_\_\_\_ REFERENCE NO. 27 SHEET 32 OF 48  
 NOTES WESTFALL DATE 8/5/13 ROUTE US 20A  
 H.C. ROUSOS WEATHER SUNNY COUNTY LUCAS  
 R.C. WESTFALL TEMP. 67° TOWNSHIP MONCLOVA  
 \_\_\_\_\_ KEFFER \_\_\_\_\_ SECTION 31  
 \_\_\_\_\_ T 2

TYPE MONUMENT P.K.NAIL  
 ON SURFACE - ~~BELOW~~ ON  
 LEFT - ☉ PAV'T - RIGHT -  
- TO - EDGE PAVEMENT  
 S.L.M. 413+82.68



GRID: NORTHING: 697184.779 EASTING: 1628577.034

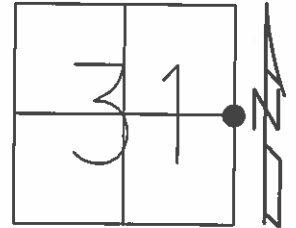
RECORD:  
 FD P.K.NAIL  
 OVER IRON BOLT  
 3" DEEP. 4/30/85  
 SET P.K.NAIL  
 7/1/85, IS  
 FD P.K.NAIL  
 GPS, REF28  
 8/5/13, DCH  
 SET MAG/WASHER  
 GPS, NEWREF28  
 4/16/14, DCH



O.D.O.T. DISTRICT 2 SURVEY OFFICE (USE ONLY)

PERSONNEL \_\_\_\_\_ REFERENCE NO. 27 SHEET 26 OF 42  
NOTES WESTFALL DATE 8/5/13 ROUTE US 20A  
H.C. ROUSOS WEATHER SUNNY COUNTY LUCAS  
R.C. WESTFALL TEMP. 67° TOWNSHIP MONCLOVA  
SECTION 31  
T 2

TYPE MONUMENT P.K.NAIL  
ON SURFACE - ~~BELOW~~ ON  
LEFT - ☉ PAV'T - RIGHT -  
- TO - EDGE PAVEMENT  
S.L.M. 413+82.68  
Grid: Northing: 697184.779 Easting: 1628577.034



RECORD:  
FD P.K.NAIL  
OVER IRON BOLT  
3" DEEP. 4/30/85  
SET P.K.NAIL  
7/1/85, I.S.

FD P.K.NAIL  
GPS, REF28  
8/5/13, DCH  
SET MAG/WASHER  
GPS, NEWREF28  
4/16/14, DCH

