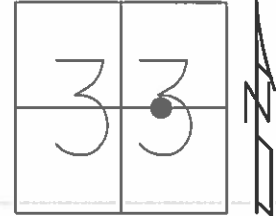


O.D.O.T. DISTRICT 2 SURVEY OFFICE (USE ONLY)

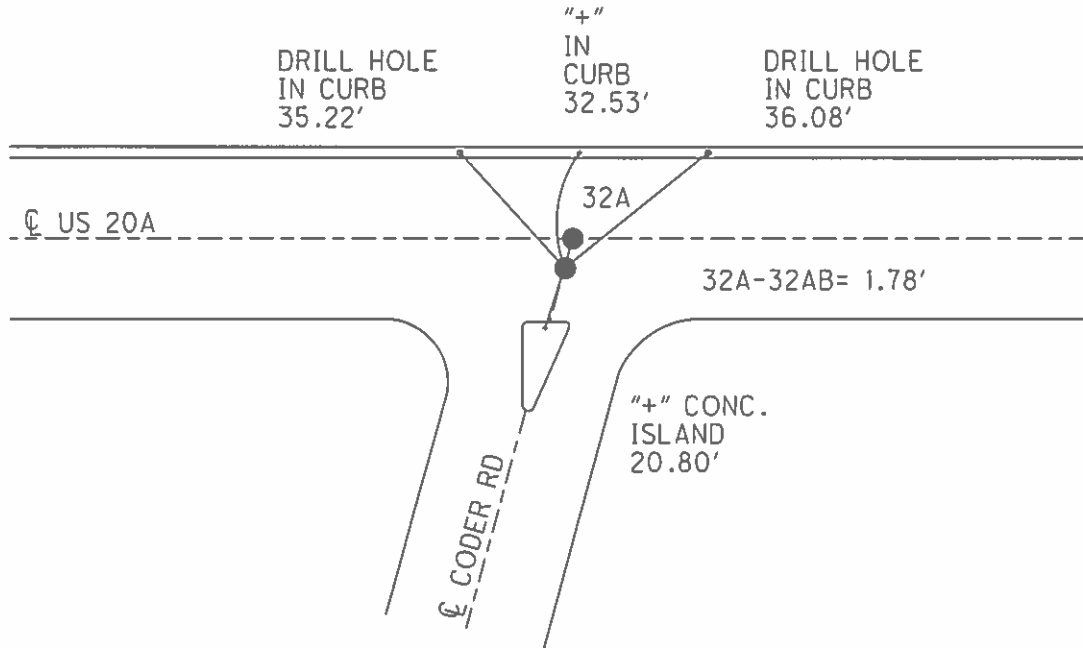
PERSONNEL _____ REFERENCE NO. 32 AB SHEET 39 OF 48
NOTES WESTFALL DATE 8/6/13 ROUTE US 20A
H.C. ROUSOS WEATHER FAIR COUNTY LUCAS
R.C. WESTFALL TEMP. 71° TOWNSHIP MONCLOVA
KEFFER SECTION 33
T 2

TYPE MONUMENT 5/8" IPIN
~~ON SURFACE~~ - BELOW 1 1/2"
LEFT - ☉ PAV'T - RIGHT -
- TO - EDGE PAVEMENT
S.L.M. 505+78.69



GRID: NORTHING: 697047.425 EASTING: 1637771.558

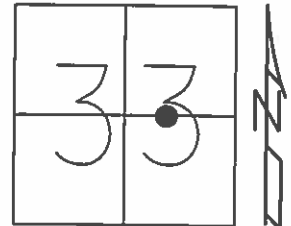
RECORD:
FD 5/8" IPIN
8/6/13
SET MAG/WASHER
GPS, NEWREF34
4/16/14, DCH



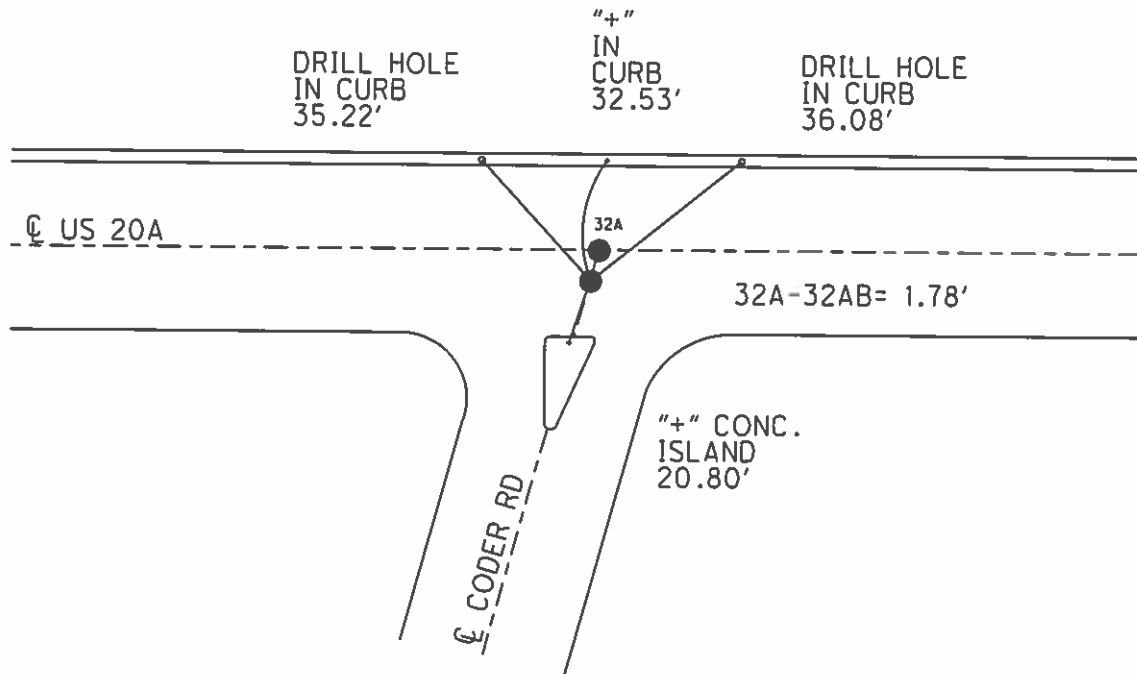
O.D.O.T. DISTRICT 2 SURVEY OFFICE (USE ONLY)

PERSONNEL _____ REFERENCE NO. 32 AB SHEET 33 OF 42
 NOTES WESTFALL DATE 8/6/13 ROUTE US 20A
 H.C. ROUSOS WEATHER FAIR COUNTY LUCAS
 R.C. WESTFALL TEMP. 71° TOWNSHIP MONCLOVA
 _____ SECTION 33
 _____ T 2

TYPE MONUMENT 5/8" IPIN
~~ON SURFACE~~ - BELOW 1 1/2"
 LEFT - ☉ PAV'T - RIGHT - _____
 - TO - EDGE PAVEMENT
 S.L.M. 505+78.69
 Grid: Northing: 697047.425 Easting: 1637771.558



FD 5/8" IPIN
 8/6/13
 SET MAG/WASHER
 GPS, NEWREF34
 4/16/14, DCH



PERSONNEL	TITLE	PERSONNEL	TITLE	COUNTY	DATE
Stone	Notes			Lucas	20 July 71
Michalek	π			U.S. 20-A	Weather Fair
Schroder	H.C.			SEC. Alton Rd. - East	TEMP. 75°
Farr	RS				

DESCRIPTION: Alignment LEFT CENTER LINE RIGHT JOB NO.

