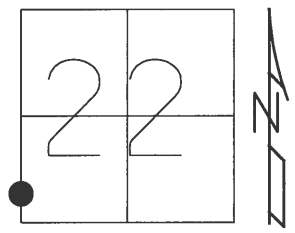


O.D.O.T. DISTRICT 2 SURVEY OFFICE (USE ONLY)

PERSONNEL \_\_\_\_\_ REFERENCE NO. 23 C SHEET 31 OF 45

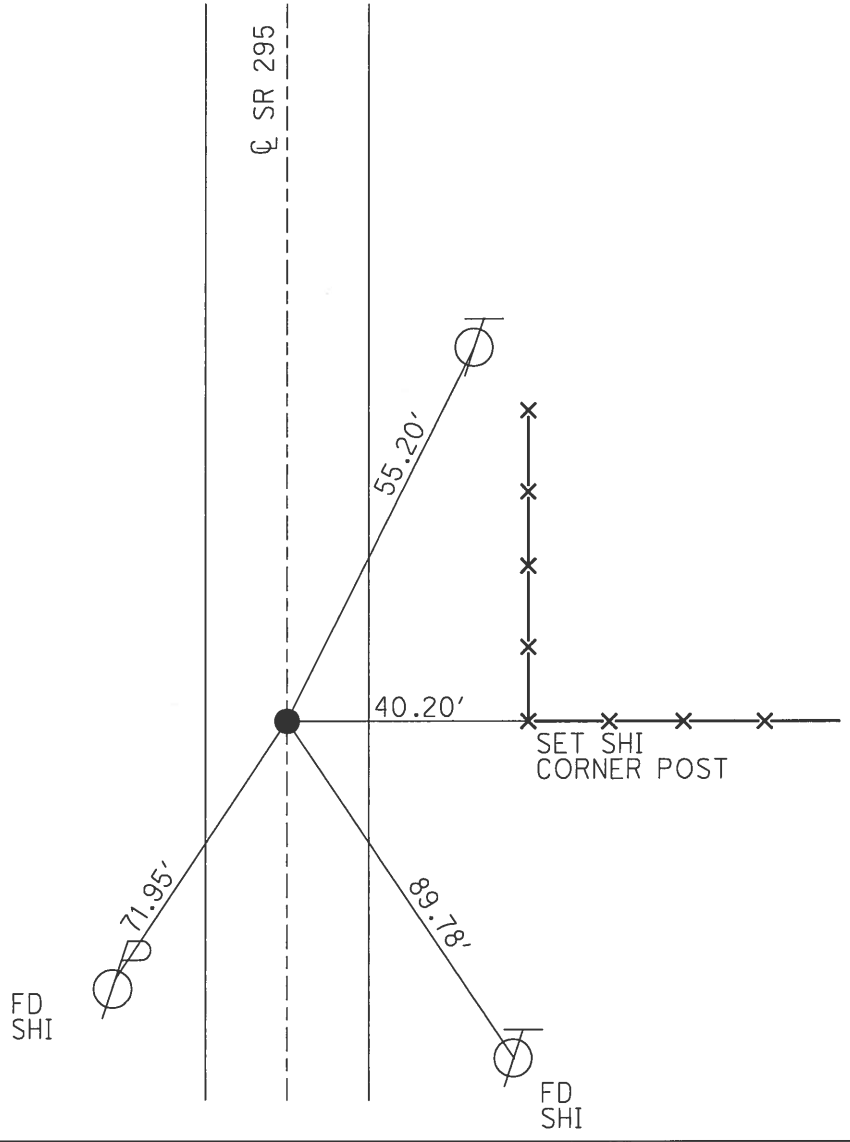
NOTES BEAUMONT DATE 9/3/02 ROUTE SR 295  
 H.C. HOMAN WEATHER SUNNY COUNTY LUCAS  
 R.C. BEAUMONT TEMP. 85° TOWNSHIP SWANTON  
 \_\_\_\_\_ SECTION 22  
 \_\_\_\_\_ T 7 N R 9 E

TYPE MONUMENT P.K. NAIL  
 ON SURFACE - ~~BELOW~~ \_\_\_\_\_ ON \_\_\_\_\_  
 LEFT - ☑ PAV'T - RIGHT \_\_\_\_\_ ON \_\_\_\_\_  
11' TOLT \_\_\_\_\_ EDGE PAVEMENT  
 S.L.M. 413+81



GRID: NORTHING: 688113.429 EASTING: 1605859.732

RECORD:  
 FD HARROW TOOTH  
 SPIKE 1" DOWN  
 8/5/91  
 SET MAG/WASHER  
 11/26/02, DCH  
 FD MAG/WASHER  
 6/20/16, JFO  
 UNCOVERED  
 7/17/17, JFO



O.D.O.T. DISTRICT 2 SURVEY OFFICE

PERSONNEL

REFERENCE NO. 23C

SHEET 31 OF 45

NOTES BEAUMONT

DATE 9-3-02

ROUTE S.R. 295

H.C. HOMAN

WEATHER SUNNY

COUNTY LUCAS

R.C. BEAUMONT

TEMP. 85°

TOWNSHIP SWANTON

SECTION 22

T 7 N R 9 E

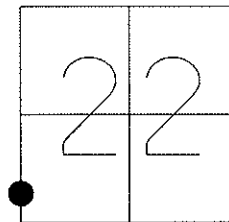
TYPE MONUMENT PK NAIL

ON SURFACE - ~~BELOW~~ ON

LEFT - ☉ PAV'T - RIGHT ON

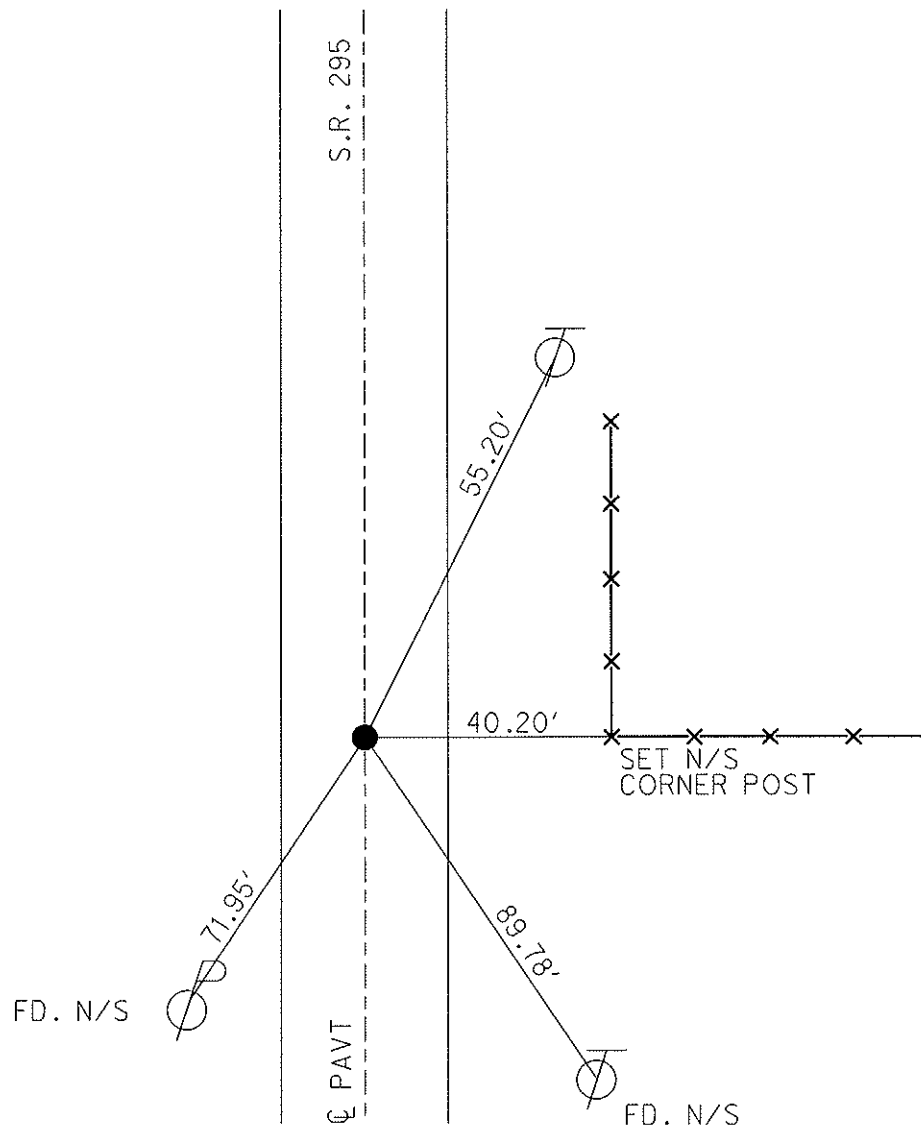
11' TO LT. EDGE PAVEMENT

S.L.M. 413+81



REC. FD.  
HARROW TOOTH  
SPIKE 1" DOWN  
8-5-91

SET MAG/WASHER  
DCH, 11-26-02



O.D.O.T. DISTRICT 2 SURVEY OFFICE

PERSONNEL

REFERENCE NO. 23C

SHEET 27 OF 40

NOTES BEAUMONT

DATE 9-3-02

ROUTE S.R. 295

H.C. HOMAN

WEATHER SUNNY

COUNTY LUCAS

R.C. BEAUMONT

TEMP. 85

TOWNSHIP SWANTON

SECTION 22

T 7 N R 9 E

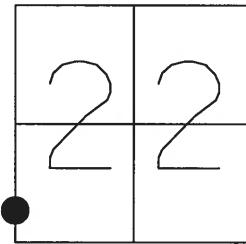
TYPE MONUMENT PK NAIL

ON SURFACE - ~~BELOW~~ YES

~~LEFT - Q PAV'T - RIGHT~~ YES

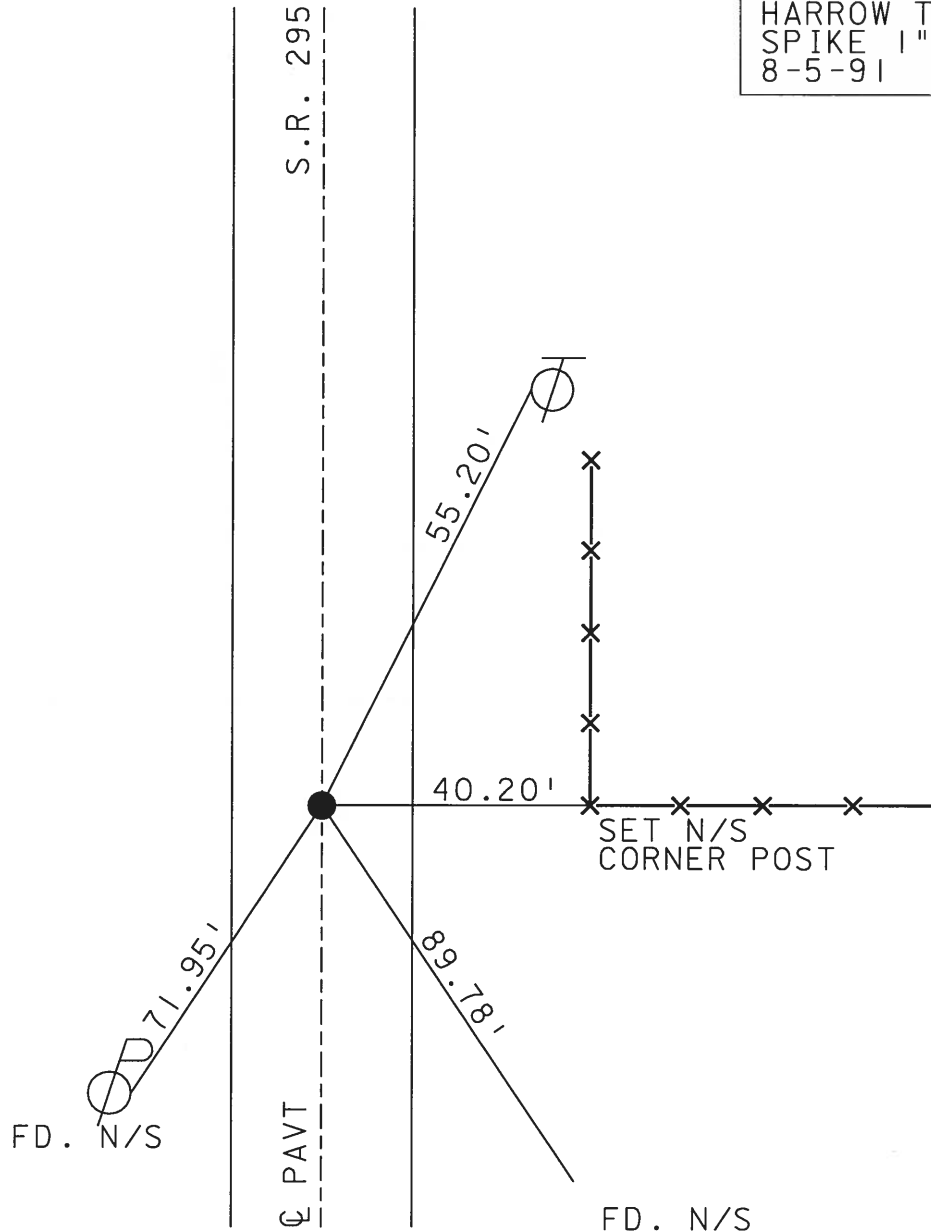
11' TO LT EDGE PAVEMENT

S.L.M. 413+81



SET MAG NAIL  
& WASHER  
11-26-02  
D.C.H.

REC. FD.  
HARROW TOOTH  
SPIKE 1" DOWN  
8-5-91



# O.D.O.T. DISTRICT 2 SURVEY OFFICE

PERSONNEL \_\_\_\_\_

REFERENCE NO. 23-C

SHEET 23 OF 35

NOTES LOEHRKE

H.C. CURTIS

R.C. LUCE

DATE 8-5-91

WEATHER Clear

TEMP. +72

ROUTE S.R. 295

COUNTY LUCAS

TOWNSHIP SWANTON

SECTION 22

T 7 N R 9 E

TYPE MONUMENT Harrow Tooth Spike

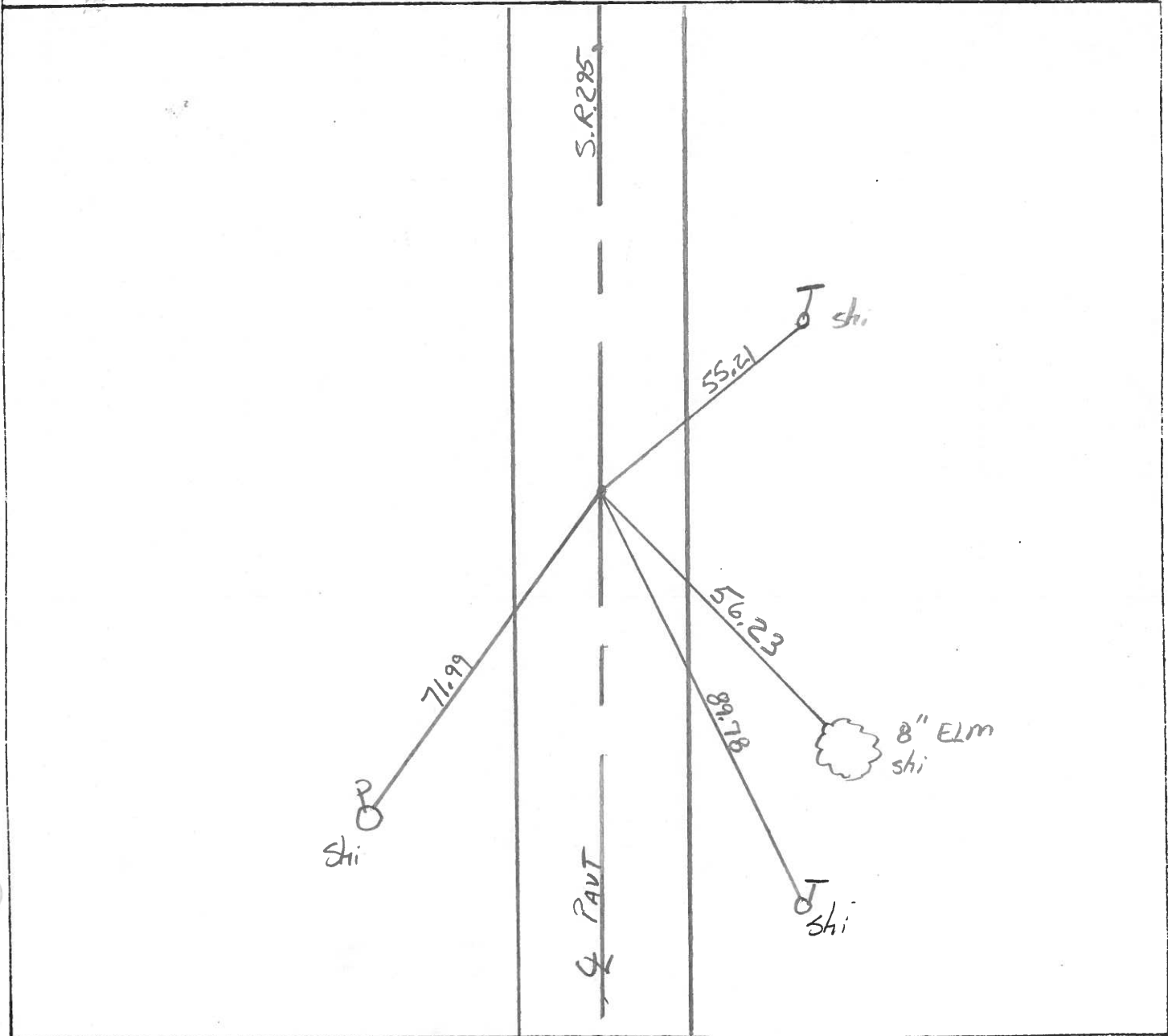
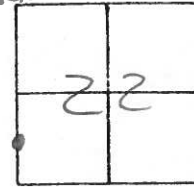
Set PK/WASHER  
3-25-92

~~ON SURFACE~~ - BELOW 1"

~~LEFT - C~~ PAV'T. - RIGHT Yes

9.7 TO RT EDGE PAVEMENT

S.L.M. 413+81



County Lucas S.R. 295

Date 27 April 82

Township Swanton

Weather Cool

Section 22

Temp. 42°

T, N, R, E

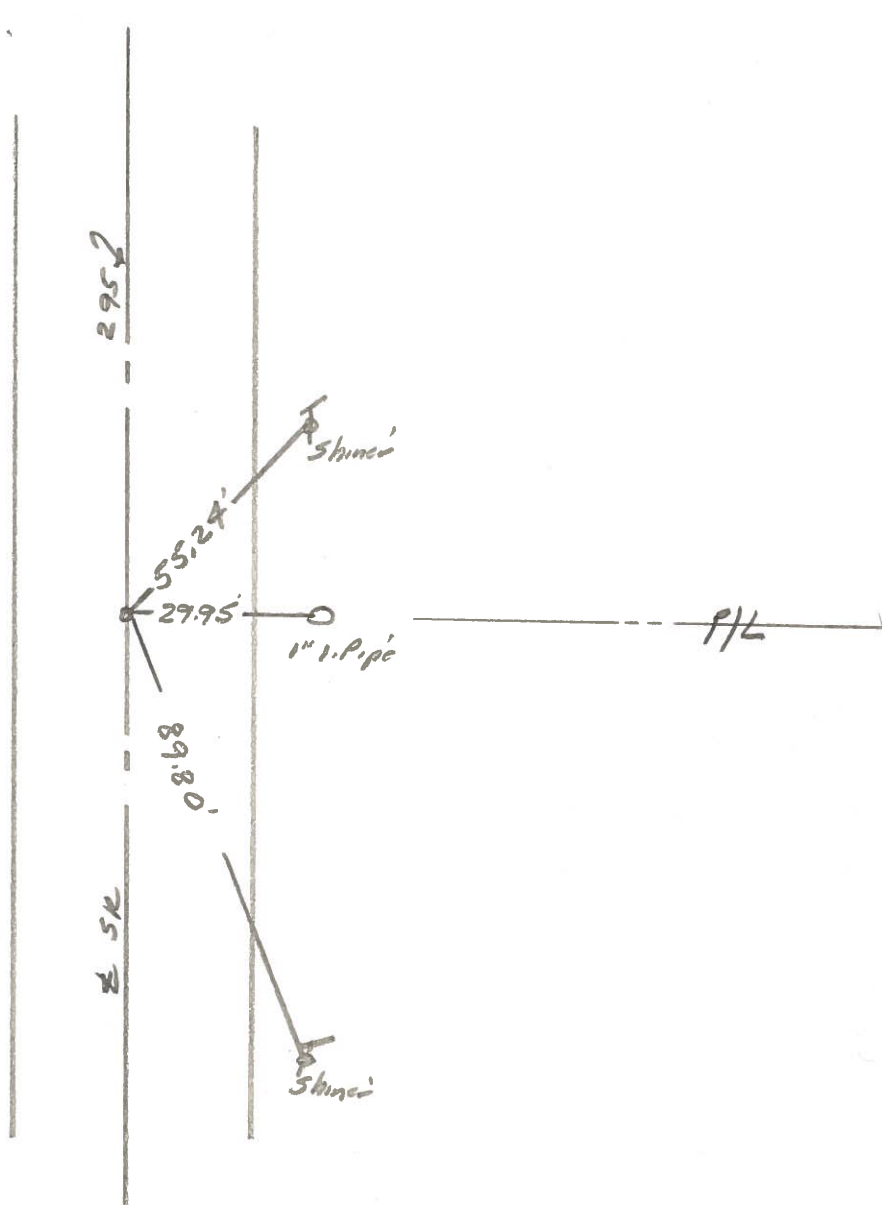
Personnel L. Stone

P. Neuser

R. Michalek



REF. NO. 23C



Fd. RR Spk. To surface  
 9.7' To E, edge put.  
 9.7' To W, edge put.